

# CELIO™

CRI | DIRECT/INDIRECT LUMINAIRE

## OVERVIEW

### Lumens

Delivers up to 15,700 lumens (90+ LPW)

### CRI

80+ Standard (90+ Optional)

### CCT Selectable

3000K, 3500K, 4000K

### Voltage

120-277V

### Dimming

0-10V dimming standard

### Operating Temperature

-4°F to +122°F  
(-20°C to +50°C)


### Projected Lifetime

>50,000 Hours (L70)

### Standard Textured Finishes

White

Black

 Custom colors available.

### Micro-Prismatic Lens

UGR<19



### Mounting

Aircraft, Stem or Surface



Celio™ - the ultimate solution for unparalleled comfort and illumination! With its cutting-edge micro-prismatic acrylic matte diffusion cover and innovative edge lighting, ensuring uniform brightness and gentle illumination that's easy on the eyes. Choose from five size options and customize your lighting experience with variable lumen outputs and flexible direct or direct/indirect lighting configurations. The Celio™ seamlessly integrates into various spaces, including multi-purpose rooms, atriums, open offices, hospitality and retail establishments.

### Features

- Available in five diameters: 14", 18", 24", 35", and 47", with a slim profile of 2.2".
- Single-sheet micro-prismatic acrylic matte diffusion cover ensures gentle, ambient illumination for optimal visual comfort.
- Sturdy construction: Heavy gauge extruded aluminum housing, spun aluminum driver housing, and vacuum-formed, single-piece acrylic lens.
- Aesthetic flexibility: Powder-coated White or Black textured finishes complement various design schemes, with the option for custom colors to match unique aesthetics.
- Supported by either aircraft cables for a suspended installation, stems for a ceiling-mounted setup, or surface-mounted configurations for added versatility.
- Advanced electrical performance: LED Light Engine is available in HLO (High Lumen Output) and SLO (Standard Lumen Output), offering efficient illumination with support for Direct, Indirect/Direct distribution.

10 YR

Warranty  
Available\*



**BUILD WORKSHEET**

Contact sales representative to order.

Sample Code: CR114303540B  
+ CR-AC-W-96

<b>CRI</b>		<b>303540</b>			
1	2	3	4	5	

**CODE DEFINITIONS**

1. SERIES	2. DIAMETER	3. CCT	4. FINISH*
CRI Celio™	14 14"	303540 Selectable CCT	W Textured White
	18 18"		B Textured Black
	24 24"		C Custom Colors*
	35 35"		
	47 47"		

**5. MOUNTING OPTIONS** *(Ordered separately)*

AIRCRAFT CABLE (96"x 3)	STEM MOUNT (39.5")	SURFACE MOUNT
CR-AC-W-96 White Canopy	CR1424-STMK-W For 14", 18" & 24" White	CR14-SMK-W For 14" & 18" White
CR-AC-B-96 Black Canopy	CR1424-STMK-B For 14", 18" & 24" Black	CR14-SMK-B For 14" & 18" Black
	CR3547-STMK-W For 35" & 47" White	CR24-SMK-W For 24" White
	CR3547-STMK-B For 35" & 47" Black	CR24-SMK-B For 24" Black
		CR3547-SMK-W For 37 & 47" White
		CR3547-SMK-B For 37 & 47" Black

\* Consult with sales representative for custom finishes and lead time.  
 † 5 Year Warranty is Standard unless specified.



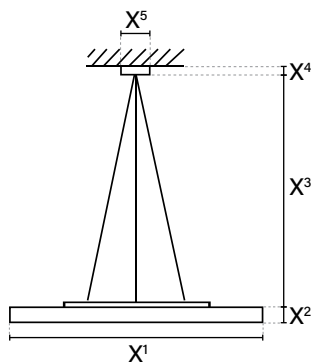
Project:	_____
Catalog #:	_____
Quantity:	_____ Date: _____

**PERFORMANCE DETAILS**

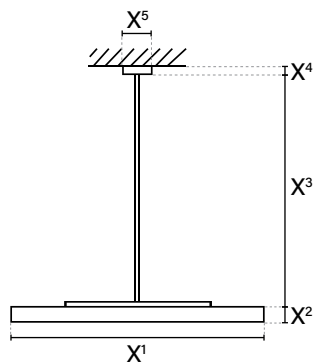
Size	14"	18"	24"	35"	47"
Lumens Direct (Downlight)	1800	3500	4500	10000	11000
Lumens Indirect (Uplight)	700	1500	2000	4200	4700
Wattage	28W	50W	62W	123W	132W
Voltage	120-277V - 50/60Hz				
Current	0.25A	0.42A	0.52A	1.1A	1.1A
CCT	Selectable: 3000K, 3500K, 4000K				
CRI	80+				
Beam Angle	90° Direct / 120° Indirect				
Unified Glare Rating (UGR)	<19				
Dimming	0-10V Continuous Dimming, 100% down to 1%				
Operating Temperature	-4F° to 122°F (-20°C to +50°C)				
Suitable Location	Indoors, Dry and Damp				
IP Rating	IP20				
Driver	XZ-SA30B-420070	XZ-SA50B-420125	XZ-SA60B-420150	XZ-SA60B-420150 (2 ea.)	XZ-SA60B-420150 (2 ea.)
Output Current	700mA	1200mA	1500mA	1400mA (per driver)	1500mA (per driver)
Qualifications	ETL				

For total system wattage and lumen output, add the direct and indirect values based on output settings.

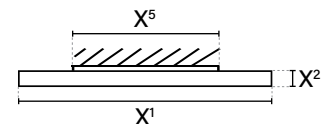
**DIMENSIONS**



Aircraft Cable	
X <sup>1</sup>	14"/18"/24"/35"/47"
X <sup>2</sup>	2.2"
X <sup>3</sup>	96" x 3
X <sup>4</sup>	5.9"
X <sup>5</sup>	1.2"



Stem Mount		
X <sup>1</sup>	14"/18"/24"	35"/47"
X <sup>2</sup>	2.2"	
X <sup>3</sup>	L = 39.5" x DIA. 0.79"	L = 39.5" x DIA. 1.6"
X <sup>4</sup>	1.1"	1.5"
X <sup>5</sup>	4.5"	6"



Surface Mount			
X <sup>1</sup>	14"/18"	24"	35"/47"
X <sup>2</sup>	2.2"		
X <sup>5</sup>	5.3"	10.3"	20.5"