

# CHRONOS™

## Low Profile Luminaire

Client: \_\_\_\_\_ Order #: \_\_\_\_\_  
 Project Name: \_\_\_\_\_ Type: \_\_\_\_\_ Qty: \_\_\_\_\_



### Performance Data

#### CRI

70+, 95 Optional

#### CCT

3000K, 3500K, 4000K,  
5000K, Amber

#### Projected Lifetime

286,000 Hours (L70)  
181,000 Hours (L80)

#### Dimming

0-10V Dimming Standard,  
10% to 100%

#### Operating Temperature

-40°C to +55°C Ambient

#### IP Rating

IP65

#### Warranty

5 year Standard  
10 year Optional

**10 Yr**

Warranty  
Available

### Description

Style combined with elegance. The Chronos™ luminaire provides an aesthetically pleasing addition to any roadway or parking lot with its smooth, defined curves and highly functional optics that provide maximum lumen output while ensuring beam uniformity. The combination of form and function blend together to make Chronos™ the premier outdoor lighting fixture.

### Features

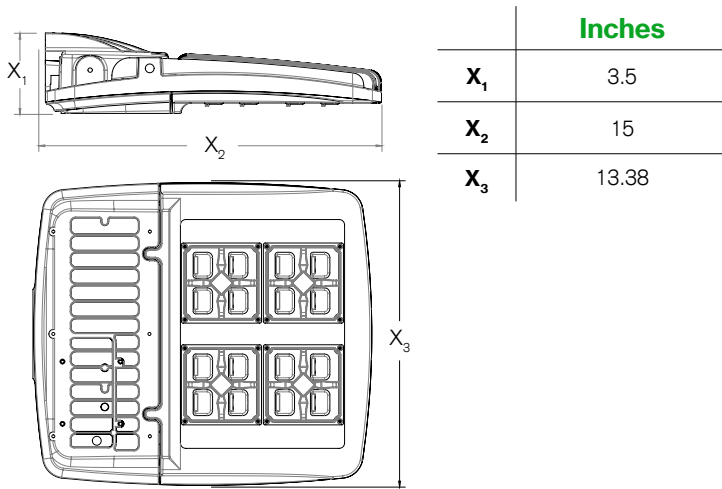
- Die cast aluminum housing and front frame, integral heat sinking and driver compartment.
- Powder coat finish over a chromatic conversion coating.
- 8 mounting brackets available, including the new adjustable wall mount
- Weight: 15lbs; EPA: 0.60ft²
- Available with rotated optics for horizontal throw
- 0-10V Dimming Standard on all models
- Listed for Wet Locations
- 3G Vibration Tested for Roadways
- Photocell receptacle included standard and shorting cap<sup>11</sup>

### Ordering Options **Contact sales representative to order.**

FIXTURE SERIES		VOLTAGE		MOUNTING		OPTIONS	
M824-LED	Area Luminaire	UNV	120-277V	PM	Pole Mount	PC	Photocell (Twist Lock)
WATTAGE/LUMENS		347	347V <sup>6</sup>	WB	Wall Bracket	MS	Motion Sensor (with Dimming) <sup>5,10</sup>
20	20W/3120 <sup>3,7</sup>	480	480V <sup>6</sup>	RPMA	Round Pole Mount Adapter <sup>8</sup>	9	95 CRI
30	30W/3990 <sup>3,7</sup>	BODY TYPE		LYM	Heavy Duty Large Yoke Mount	H	Glare Shield/ House Side Shield
40	40W/5200 <sup>3,7</sup>	LP	Low Profile	YM	Yoke Mount	7P	NEMA 7-Pin Receptacle <sup>10</sup>
60	60W/7620 <sup>3,7</sup>	OPTICS		SF	Slip Fitter	7R	NEMA 7-Pin Receptacle & Photocell <sup>10</sup>
80	80W/10040 <sup>3,7</sup>	T2	Type II	PMA	Pole Mounting Arm Adapter <sup>2%</sup>	D	Stand-Alone Scheduled Dimming
100	100W/14130 <sup>3</sup>	T3	Type III	FINISH		R	Rotated Right Optics <sup>9</sup>
120	120W/15380 <sup>3,7</sup>	T4	Type IV	BZ	Bronze <sup>1</sup>	L	Rotated Left Optics <sup>9</sup>
150	150W/17930 <sup>3,7</sup>	T4A	Front Row	BL	Black	WARRANTY <sup>12</sup>	
CCT		T5	Type V	WH	White	-	5 Year Warranty
30	3000K	40	40° Narrow Flood	SL	Silver	10	10 Year Warranty
35	3500K	55	55° Medium Flood	CU	Custom <sup>2</sup>	10L	10 Year Warranty including labor
40	4000K	70	70° Wide Flood				
50	5000K <sup>4</sup>						

- <sup>1</sup> Standard for fixture
- <sup>2</sup> Contact factory for custom finish
- <sup>3</sup> Delivered Lumens (5000K Type III distribution) - See full lumen chart on Page 5 for other optics and CCT
- <sup>4</sup> Standard Color Temperature
- <sup>5</sup> 20ft mounting height lens standard. Contact factory for higher mounting.
- <sup>6</sup> 480V option only available on models 60W and higher.
- <sup>8</sup> Must be ordered in conjunction with the Pole Mount Bracket
- <sup>9</sup> View illustration of rotated optics on Page 6
- <sup>10</sup> MS option not available in conjunction with 7R or 7P
- <sup>11</sup> If D4 or photocell not selected than shorting cap is required
- <sup>12</sup> 5 year standard unless specified

**Dimensions**



**Length with Mounts:**

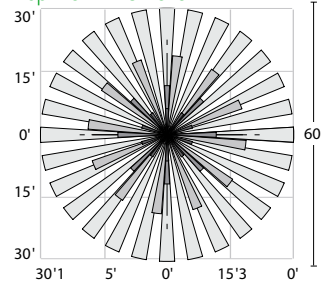
Pole Mount (PM)	19.3"
Wall Bracket (WB)	15.81"
Large Yoke (LYM)	18"
Yoke (YM)	20.81"
Slip Fitter (SF)	22.43"
Adjustable Wall Mount (AWM)	19.75"
Pole Mount Arm (PMA)	19.1"

**Bi-Level & Daylight Harvest PIR Sensor**

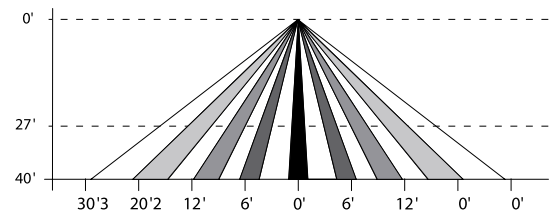


- Slim, low-profile sensor is designed for installation inside the bottom of a light fixture.
- Provides multi-level control based on motion and/or daylight contribution.
- 30' range sensitivity detector.
- Works with ballasts or LED drivers.
- Adjustable light levels and stand-by time.
- Constructed out of fire retardant polycarbonate material that is UV and impact resistant.

Top View - L3 Lens



Side View - L3 Lens



**Photocell**

\*Twist-lock photocell only when ordered without motion sensor. When paired with a motion sensor, the FSP-211 sensor (FSP-201 for 347V or 480V) is used for both motion sensing and photo sensing capabilities.



**Stand-Alone Scheduled Dimming**  
DIMULATOR 4

FEATURES:

- Saves power, saves money, quickly pays for itself
- Advanced time/date algorithm auto-adjusts for daylight savings
- Just plug it in - will automatically synchronize to local time
- Advanced light sensor, only reacts to sunlight
- Immune to LED and other artificial light
- No false activations (no cycling)
- May be oriented in any direction

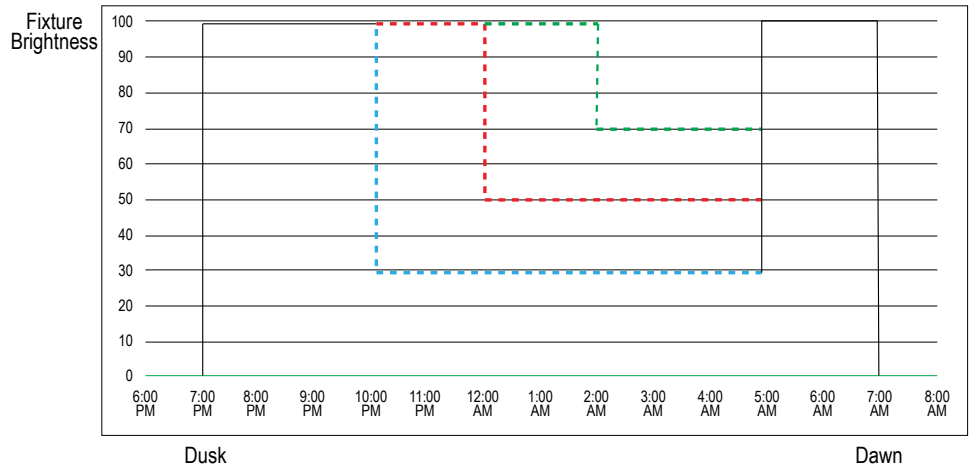
BENEFITS:

- No Network Required
- Extend the life of the Fixture
- Long Life Photocontrol features
- AM Ramp up to Full Brightness
- Robust Surge Protection - 40k Amp MOV/640Joule
- Light Diagnostic on Installation



Schedule Setting:  
10 Position Selector Switch

SWITCH POSITION	DIMMING % - TIME
0	No Dimming
1	30%-10 pm, for 7 hrs
2	50% - 10 pm, for 7 hrs
3	70% - 10 pm, 7 hrs <span style="color: blue;">- - - - -</span>
4	30% - Midnight, for 5 hrs
5	50% - Midnight, for 5 hrs <span style="color: red;">- - - - -</span>
6	70% - Midnight, for 5 hrs
7	30% - 2 am, for 3 hrs <span style="color: green;">- - - - -</span>
8	50% - 2 am, for 3 hrs
9	70% - 2 am, for 3 hrs



**Options**

Glare Shield



House Shield

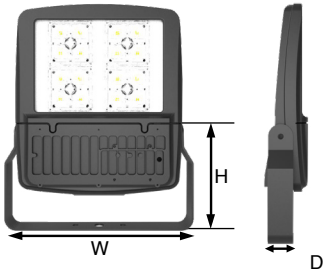


**Other Views**

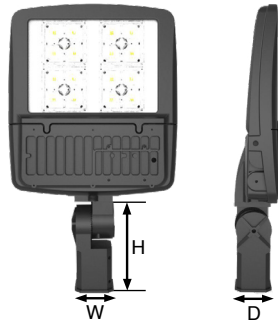


**Mounting Options**

LARGE YOKE MOUNT



SLIP FITTER



POLE MOUNT



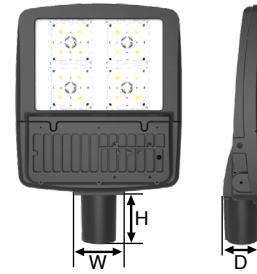
ROUND POLE MOUNT ADAPTER



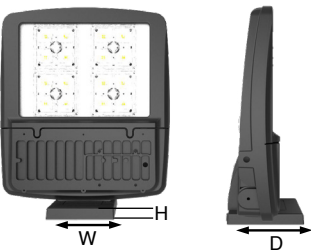
YOKE MOUNT



POLE MOUNTING ARM ADAPTER

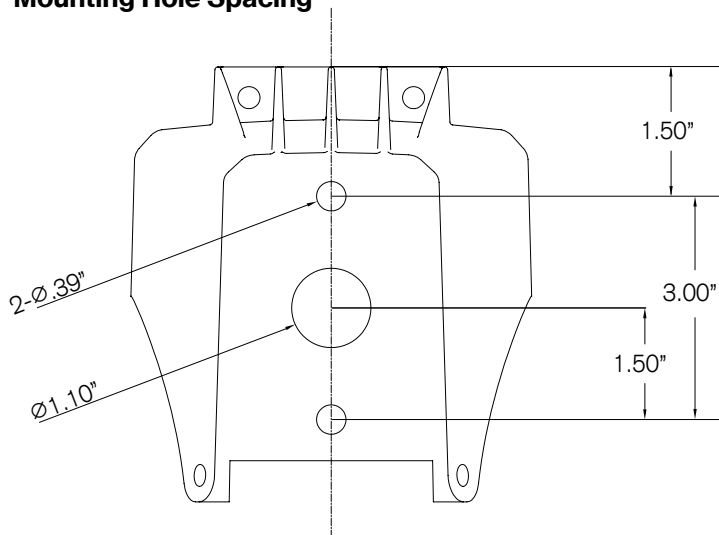


WALL BRACKET

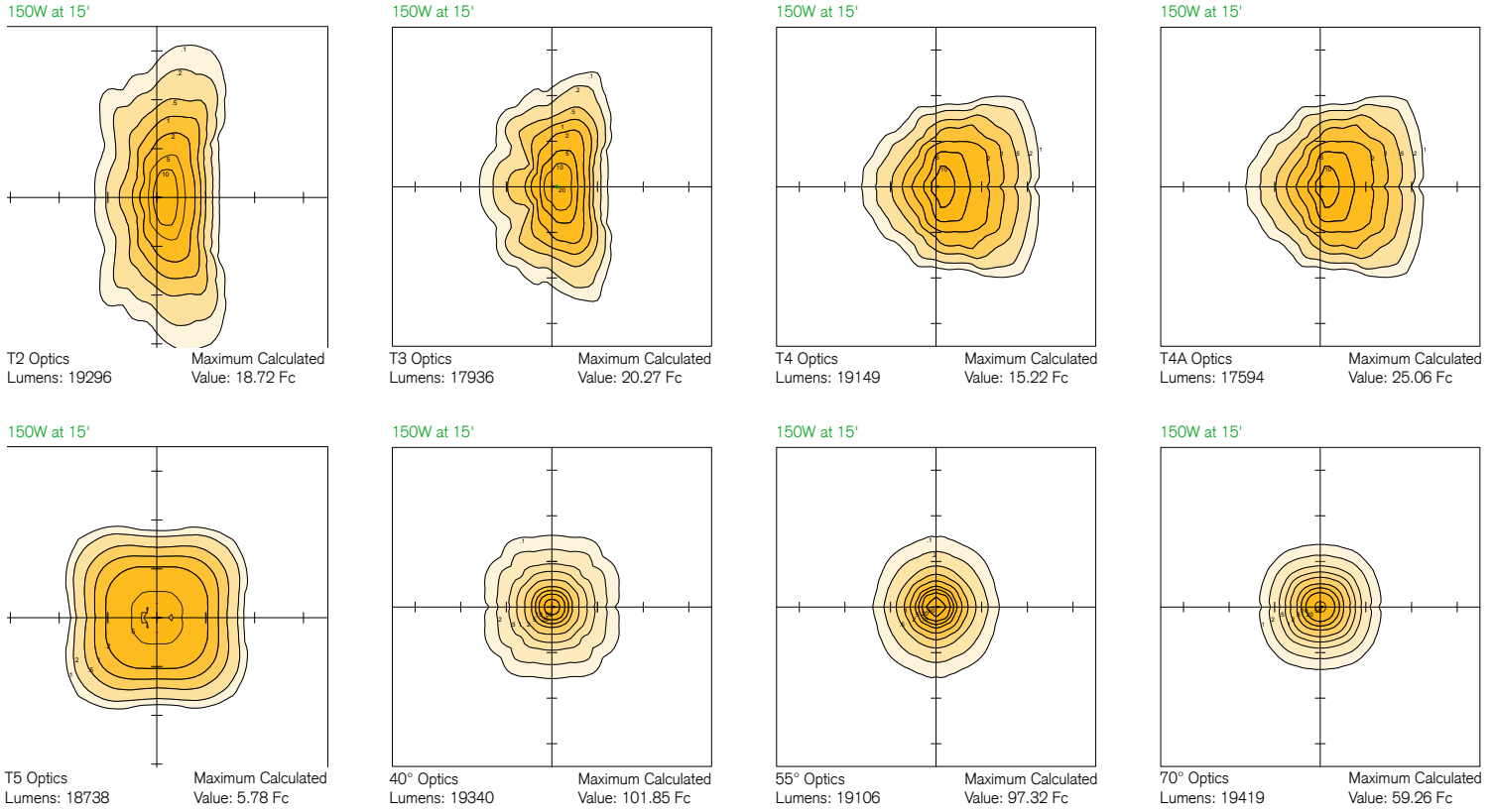


	H	W	D
Large Yoke Mount	8.52"	15.23"	1.77"
Slip Fitter	6.60"	3.46"	2.80"
Pole Mount	4.33"	5.37"	5.83"
Round Pole Mount Adapter	5.33"	5.37"	5.83"
Yoke Mount	5.70"	5.34"	2.52"
Pole Mounting Arm Adapter	4.09"	3.94"	3.65"
Wall Bracket	0.83"	4.86"	5.60"

**Mounting Hole Spacing**



**Photometrics**



**Lumen Chart (5000K)**

SYMMETRIC DISTRIBUTION - 5000K LUMEN OUTPUT

SYSTEM WATTAGE	TYPE 5	B-U-G RATIN			40° FLOOD	B-U-G RATIN			55° FLOOD	B-U-G RATIN			70° FLOOD	B-U-G RATIN		
18W	2687	2	1	1	2628	2	1	1	2628	2	1	1	2650	2	1	1
22W	4048	2	1	1	3958	2	1	1	3958	3	1	1	3992	2	1	1
35W	5354	3	1	1	5235	3	1	1	5235	3	1	1	5280	3	1	1
56W	8246	3	1	2	8064	3	1	1	8064	3	1	1	8133	3	1	1
75W	10123	3	1	2	9729	4	1	1	9775	4	1	1	9612	3	1	1
113W	15086	4	1	2	13220	4	1	1	13283	4	1	1	13061	4	1	1
149W	18739	4	1	2	16704	5	1	1	16784	5	1	2	16504	4	1	1

ASYMMETRIC DISTRIBUTION - 5000K LUMEN OUTPUT

SYSTEM WATTAGE	TYPE 2	BUG RATING			TYPE 3	BUG RATING			TYPE 4	BUG RATING			TYPE 4A	BUG RATING		
18W	2682	1	1	1	2722	1	1	1	2610	1	1	1	2736	1	1	1
22W	4041	1	1	2	4100	1	1	1	3932	1	1	1	4121	1	1	1
35W	5344	1	1	2	5422	1	1	1	5200	1	1	1	5451	1	1	1
56W	8232	2	1	2	8352	2	1	2	8009	1	1	2	8396	2	1	1
75W	9723	2	1	3	10041	2	1	2	9650	2	1	2	10064	2	1	1
113W	13212	3	1	3	15383	3	1	3	13113	2	1	2	15046	3	1	2
149W	16695	3	1	4	17934	3	1	3	16695	3	1	3	17605	3	1	2

\*To scale to other color temperatures, multiply 5000K values by 0.98 for 4000K, 0.95 for 3500K, or 0.93 for 3000K

**Listed**

	120-277V ONLY				120-277V, 347V, AND 480V		
	20W	30W	40W	60W	80W	120W	150W
	All Optics	All Optics	All Optics	All Optics	All Optics	All Optics	All Optics
3000K	X	X	X	X	X	X	X
3500K	X	X	X	X	X	X	X
4000K	X	X	X	X	X	X	X
5000K	X	X	X	X	X	X	X

**95 CRI Lumen Output**

	DELIVERED LUMEN OUTPUT				
	5000K	4000K	3500K	3000K	AMBER
Standard	100%	98%	95%	93%	70%
95 CRI	78%	75%	73%	67%	--

Use above multipliers relative to the 5000K delivered lumen output of the desired optic distribution below to calculate 95 CRI light output.

**Projected LED Maintenance**

Operating Hours	0	25,000	50,000	75,000	100,000
Lumen Maintenance Factor	25°C (77°F) Ambient Outdoor Temp				
	1	0.97	0.94	0.91	0.88
	55°C (131°F) Ambient Outdoor Temp				
	1	0.91	0.84	0.78	0.72

**Rotated Optics**

