

WARRIOR D824-LED

Low Profile Warrior Luminaire

Client: _____ Order #: _____
 Project Name: _____ Type: _____ Qty: _____



Performance Data

CRI

70+, 95 Optional

CCT

3000K, 3500K, 4000K,
5000K, Amber

Projected Lifetime

286,000 Hours (L70)
181,000 Hours (L80)

Dimming

0-10V Dimming Standard,
10% to 100%

Operating Temperature

-40°C to +55°C Ambient

IP Rating

IP65

Warranty

5 year Standard
10 year Optional

ETL

Listed

10 Yr

Warranty
Available

Description

Style combined with elegance. The Warrior luminaire provides an aesthetically pleasing addition to any roadway or parking lot with its smooth, defined curves and highly functional optics that provide maximum lumen output while ensuring beam uniformity. The combination of form and function blend together to make Warrior the premier outdoor lighting fixture.

Features

- Die cast aluminum housing and front frame, integral heat sinking and driver compartment.
- Powder coat finish over a chromatic conversion coating.
- 8 mounting brackets available, including the new adjustable wall mount
- Weight: 15lbs; EPA: 0.60ft²
- Available with rotated optics for horizontal throw
- 0-10V Dimming Standard on all models
- ETL Listed for Wet Locations
- 3G Vibration Tested for Roadways
- Photocell receptacle included standard and shorting cap¹¹

Ordering Options **Contact sales representative to order.**

FIXTURE SERIES

D824-LED Warrior Area Luminaire

WATTAGE/LUMENS

20	20W/3120 ^{3,7}
30	30W/3990 ^{3,7}
40	40W/5200 ^{3,7}
60	60W/7620 ^{3,7}
80	80W/10040 ^{3,7}
100	100W/14130 ³
120	120W/15380 ^{3,7}
150	150W/17930 ^{3,7}

CCT

30	3000K
35	3500K
40	4000K
50	5000K ⁴

VOLTAGE

UNV	120-277V
347	347V ⁶
480	480V ⁶

BODY TYPE

LP Low Profile

OPTICS

T2	Type II
T3	Type III
T4	Type IV
T4A	Front Row
T5	Type V
40	40° Narrow Flood
55	55° Medium Flood
70	70° Wide Flood

MOUNTING

PM	Pole Mount
WB	Wall Bracket
RPMA	Round Pole Mount Adapter ⁸
LYM	Heavy Duty Large Yoke Mount
YM	Yoke Mount
SF	Slip Fitter
PMA	Pole Mounting Arm Adapter ^{2%}
AWM	Adjustable Wall Mount

FINISH

BZ	Bronze ¹
BL	Black
WH	White
SL	Silver
CU	Custom ²

OPTIONS

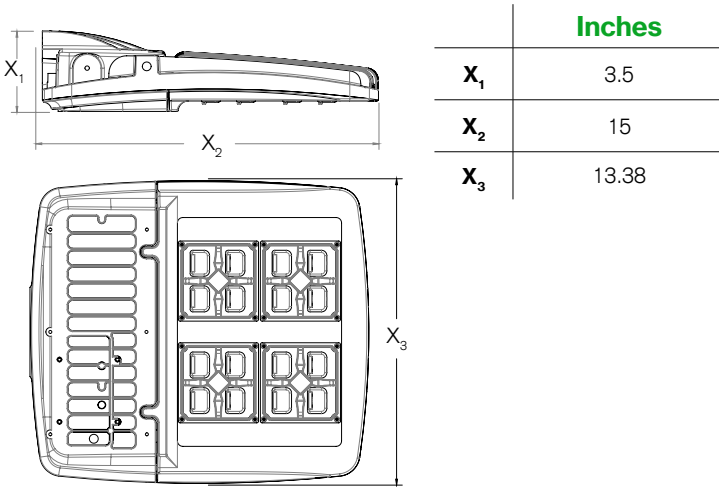
PC	Photocell (Twist Lock)
MS	Motion Sensor (with Dimming) ^{5,10}
9	95 CRI
H	Glare Shield/ House Side Shield
7P	NEMA 7-Pin Receptacle ¹⁰
7R	NEMA 7-Pin Receptacle & Photocell ¹⁰
D	Stand-Alone Scheduled Dimming
R	Rotated Right Optics ⁹
L	Rotated Left Optics ⁹

WARRANTY¹²

-	5 Year Warranty
10	10 Year Warranty
10L	10 Year Warranty including labor

- ¹ Standard for fixture
- ² Contact factory for custom finish
- ³ Delivered Lumens (5000K Type III distribution) - See full lumen chart on Page 5 for other optics and CCT
- ⁴ Standard Color Temperature
- ⁵ 20ft mounting height lens standard. Contact factory for higher mounting.
- ⁶ 480V option only available on models 60W and higher.
- ⁷ DLC Listed Wattages (View DLC Matrix on Page 6 for models currently listed)
- ⁸ Must be ordered in conjunction with the Pole Mount Bracket
- ⁹ View illustration of rotated optics on Page 6
- ¹⁰ MS option not available in conjunction with 7R or 7P
- ¹¹ If D4 or photocell not selected than shorting cap is required
- ¹² 5 year standard unless specified

Dimensions



Length with Mounts:

Pole Mount (PM)	19.3"
Wall Bracket (WB)	15.81"
Large Yoke (LYM)	18"
Yoke (YM)	20.81"
Slip Fitter (SF)	22.43"
Adjustable Wall Mount (AWM)	19.75"
Pole Mount Arm (PMA)	19.1"

Bi-Level & Daylight Harvest PIR Sensor



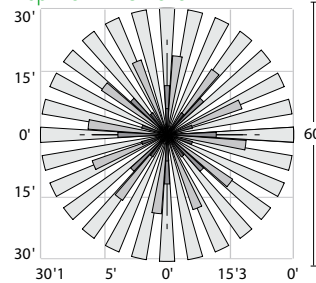
- Slim, low-profile sensor is designed for installation inside the bottom of a light fixture.
- Provides multi-level control based on motion and/or daylight contribution.
- 30' range sensitivity detector.
- Works with ballasts or LED drivers.
- Adjustable light levels and stand-by time.
- Constructed out of fire retardant polycarbonate material that is UV and impact resistant.

Photocell

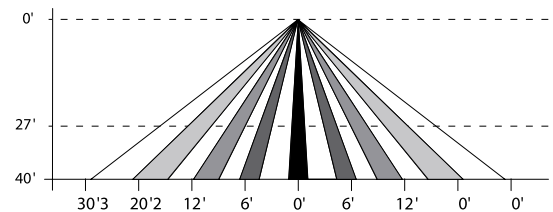
*Twist-lock photocell only when ordered without motion sensor. When paired with a motion sensor, the FSP-211 sensor (FSP-201 for 347V or 480V) is used for both motion sensing and photo sensing capabilities.



Top View - L3 Lens



Side View - L3 Lens



Stand-Alone Scheduled Dimming

DIMULATOR 4

FEATURES:

- Saves power, saves money, quickly pays for itself
- Advanced time/date algorithm auto-adjusts for daylight savings
- Just plug it in - will automatically synchronize to local time
- Advanced light sensor, only reacts to sunlight
- Immune to LED and other artificial light
- No false activations (no cycling)
- May be oriented in any direction

BENEFITS:

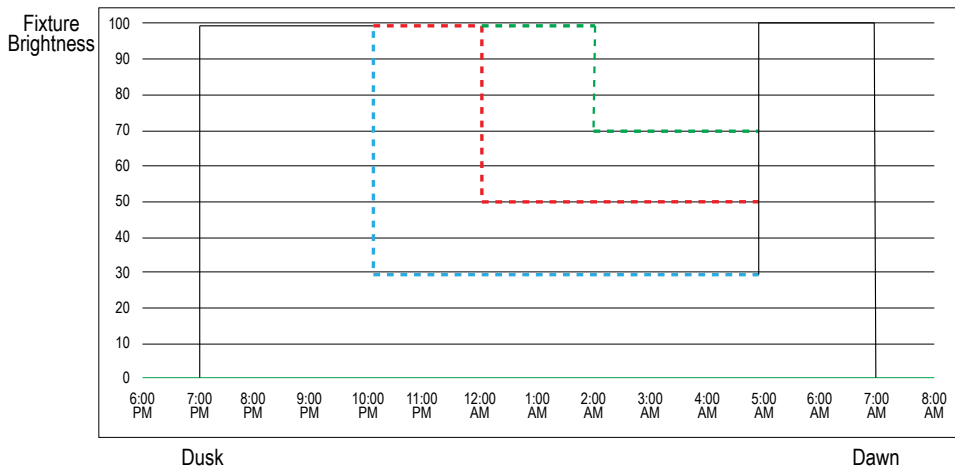
- No Network Required
- Extend the life of the Fixture
- Long Life Photocontrol features
- AM Ramp up to Full Brightness
- Robust Surge Protection - 40k Amp MOV/640Joule
- Light Diagnostic on Installation



Schedule Setting:

10 Position Selector Switch

SWITCH POSITION	DIMMING % - TIME
0	No Dimming
1	30% - 10 pm, for 7 hrs
2	50% - 10 pm, for 7 hrs
3	70% - 10 pm, 7 hrs - - - - -
4	30% - Midnight, for 5 hrs
5	50% - Midnight, for 5 hrs - - - - -
6	70% - Midnight, for 5 hrs
7	30% - 2 am, for 3 hrs - - - - -
8	50% - 2 am, for 3 hrs
9	70% - 2 am, for 3 hrs



Options

Glare Shield



House Shield

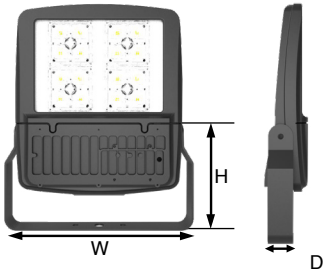


Other Views

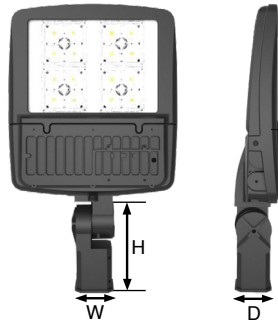


Mounting Options

LARGE YOKE MOUNT



SLIP FITTER



POLE MOUNT



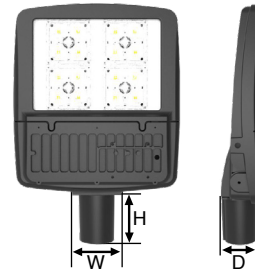
ROUND POLE MOUNT ADAPTER



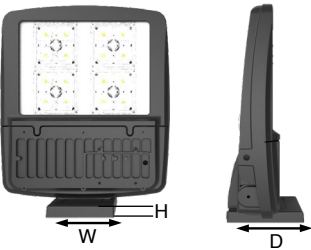
YOKE MOUNT



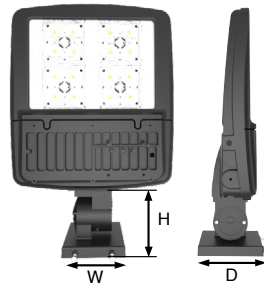
POLE MOUNTING ARM ADAPTER



WALL BRACKET

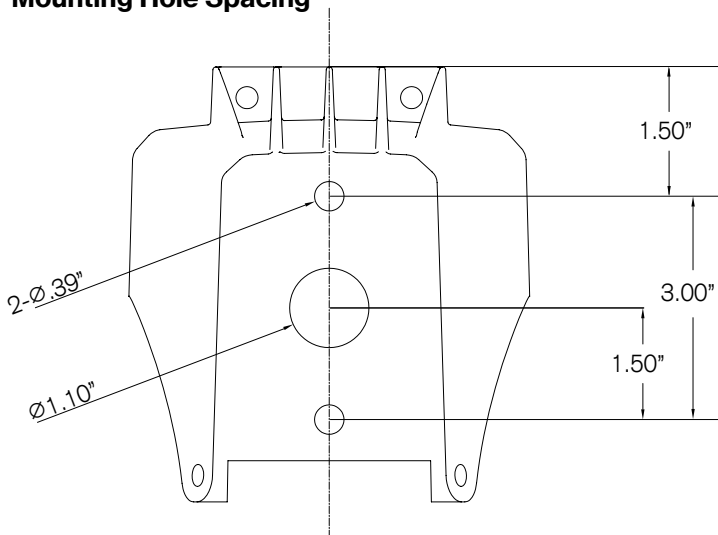


ADJUSTABLE WALL MOUNT

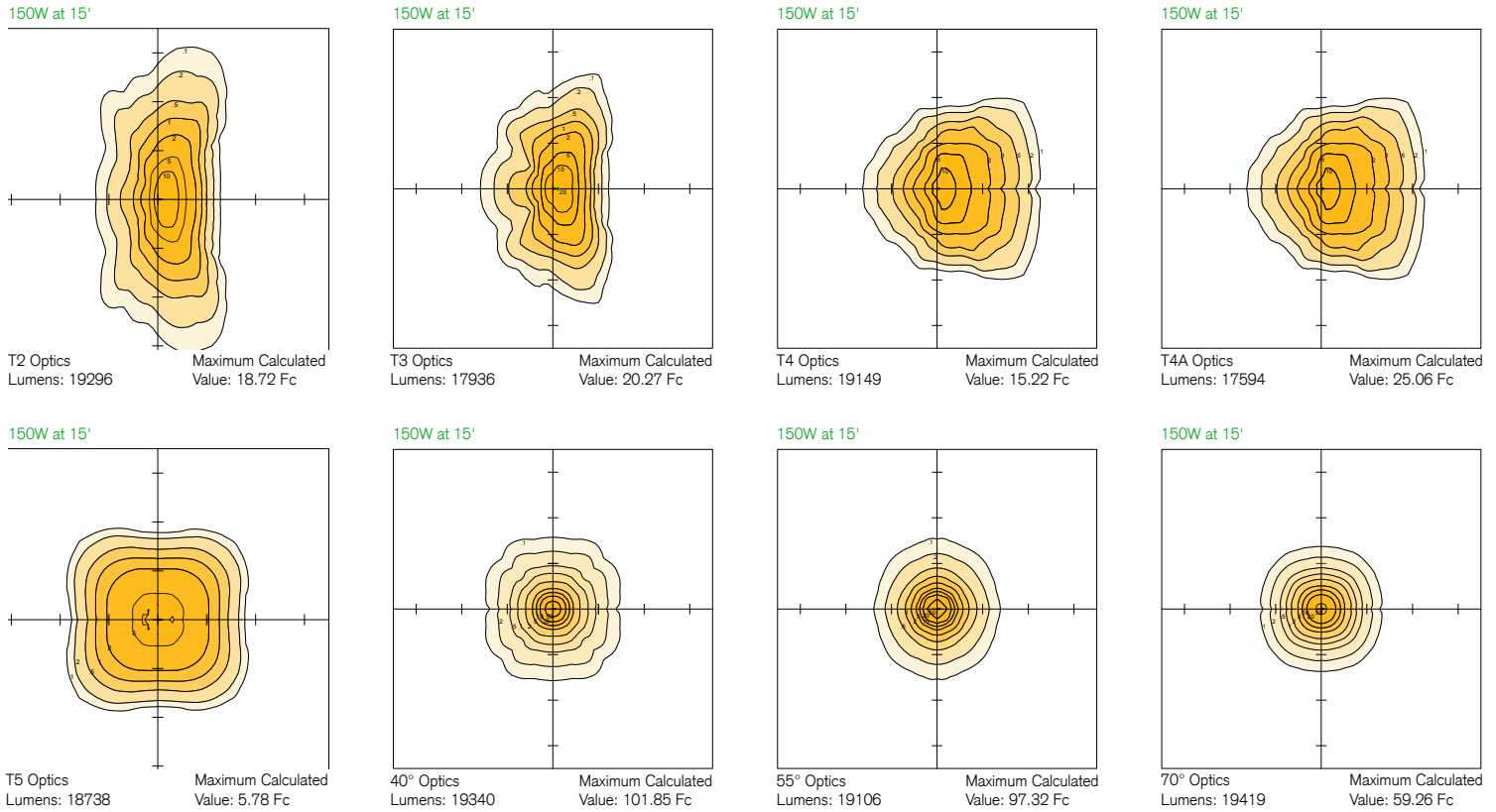


	H	W	D
Large Yoke Mount	8.52"	15.23"	1.77"
Slip Fitter	6.60"	3.46"	2.80"
Pole Mount	4.33"	5.37"	5.83"
Round Pole Mount Adapter	5.33"	5.37"	5.83"
Yoke Mount	5.70"	5.34"	2.52"
Pole Mounting Arm Adapter	4.09"	3.94"	3.65"
Wall Bracket	0.83"	4.86"	5.60"
Adjustable Wall Mount	4.75"	4.86"	5.60"

Mounting Hole Spacing



Photometrics



Lumen Chart (5000K)

SYMMETRIC DISTRIBUTION - 5000K LUMEN OUTPUT

MODEL NUMBER	SYSTEM WATTAGE	TYPE 5	B-U-G RATING			40° FLOOD	B-U-G RATING			55° FLOOD	B-U-G RATING			70° FLOOD	B-U-G RATING		
D824-LED-20-50-UNV-LP	18W	2687	2	1	1	2628	2	1	1	2628	2	1	1	2650	2	1	1
D824-LED-30-50-UNV-LP	22W	4048	2	1	1	3958	2	1	1	3958	3	1	1	3992	2	1	1
D824-LED-40-50-UNV-LP	35W	5354	3	1	1	5235	3	1	1	5235	3	1	1	5280	3	1	1
D824-LED-60-50-UNV-LP	56W	8246	3	1	2	8064	3	1	1	8064	3	1	1	8133	3	1	1
D824-LED-80-50-UNV-LP	75W	10123	3	1	2	9729	4	1	1	9775	4	1	1	9612	3	1	1
D824-LED-120-50-UNV-LP	113W	15086	4	1	2	13220	4	1	1	13283	4	1	1	13061	4	1	1
D824-LED-150-50-UNV-LP	149W	18739	4	1	2	16704	5	1	1	16784	5	1	2	16504	4	1	1

ASYMMETRIC DISTRIBUTION - 5000K LUMEN OUTPUT

MODEL NUMBER	SYSTEM WATTAGE	TYPE 2	BUG RATING			TYPE 3	BUG RATING			TYPE 4	BUG RATING			TYPE 4A	BUG RATING		
D824-LED-20-50-UNV-LP	18W	2682	1	1	1	2722	1	1	1	2610	1	1	1	2736	1	1	1
D824-LED-30-50-UNV-LP	22W	4041	1	1	2	4100	1	1	1	3932	1	1	1	4121	1	1	1
D824-LED-40-50-UNV-LP	35W	5344	1	1	2	5422	1	1	1	5200	1	1	1	5451	1	1	1
D824-LED-60-50-UNV-LP	56W	8232	2	1	2	8352	2	1	2	8009	1	1	2	8396	2	1	1
D824-LED-80-50-UNV-LP	75W	9723	2	1	3	10041	2	1	2	9650	2	1	2	10064	2	1	1
D824-LED-120-50-UNV-LP	113W	13212	3	1	3	15383	3	1	3	13113	2	1	2	15046	3	1	2
D824-LED-150-50-UNV-LP	149W	16695	3	1	4	17934	3	1	3	16695	3	1	3	17605	3	1	2

*To scale to other color temperatures, multiply 5000K values by 0.98 for 4000K, 0.95 for 3500K, or 0.93 for 3000K

Listed

	120-277V ONLY				120-277V, 347V, AND 480V		
	20W	30W	40W	60W	80W	120W	150W
	All Optics	All Optics	All Optics	All Optics	All Optics	All Optics	All Optics
3000K	X	X	X	X	X	X	X
3500K	X	X	X	X	X	X	X
4000K	X	X	X	X	X	X	X
5000K	X	X	X	X	X	X	X

95 CRI Lumen Output

	DELIVERED LUMEN OUTPUT				
	5000K	4000K	3500K	3000K	AMBER
Standard	100%	98%	95%	93%	70%
95 CRI	78%	75%	73%	67%	--

Use above multipliers relative to the 5000K delivered lumen output of the desired optic distribution below to calculate 95 CRI light output.

Projected LED Maintenance

Operating Hours	0	25,000	50,000	75,000	100,000
Lumen Maintenance Factor	25°C (77°F) Ambient Outdoor Temp				
	1	0.97	0.94	0.91	0.88
	55°C (131°F) Ambient Outdoor Temp				
	1	0.91	0.84	0.78	0.72

Rotated Optics

