

WARRIOR D826-LED

Large Low Profile Luminaire

Client: _____ Order #: _____
 Project Name: _____ Type: _____ Qty: _____



Performance Data

CRI

70+, 95 Optional

CCT

3000K, 3500K, 4000K,
5000K, Amber

Projected Lifetime

286,000 Hours (L70)
181,000 Hours (L80)

Dimming

0-10V Dimming Standard,
10% to 100%

Operating Temperature

-40°C to +55°C Ambient

IP Rating

IP65

ETL

Listed

10 Yr

Warranty
Available

Description

Style combined with elegance. The Warrior luminaire provides an aesthetically pleasing addition to any roadway or parking lot with its smooth, defined curves and highly functional optics that provide maximum lumen output while ensuring beam uniformity. The combination of form and function blend together to make Warrior the premier outdoor lighting fixture.

Features

- Die cast aluminum housing and front frame, integral heat sinking and driver compartment.
- Powder coat finish over a chromatic conversion coating.
- Mounts with two-piece bracket, yoke, adjustable slipfitter, Pole Mounting arm or 2-3/8" diameter mounting arm adapter
- Weight: 30lbs; EPA: 1.0ft²
- Available with rotated optics for horizontal throw (View pg 6)
- 0-10V Dimming Standard on all models
- ETL Listed for Wet Locations
- 3G Vibration Tested for Roadways
- Photocell receptacle included standard and shorting cap¹¹

Ordering Options **Contact sales representative to order.**

FIXTURE SERIES

D826-LED Large Area Luminaire

WATTAGE/LUMENS

160	160W/20040 ^{3,7}
180	180W/22500 ^{3,7}
200	200W/24970 ^{3,7}
240	240W/30000 ^{3,7}
260	260W/31830 ^{3,7}
280	280W/33400 ^{3,7}
320	320W/35960 ^{3,7}

CCT

30	3000K
35	3500K
40	4000K
50	5000K ⁴
A	Amber

VOLTAGE

UNV	120-277V
347	347V ⁶
480	480V ⁶

BODY TYPE

LP Low Profile

OPTICS

T2	Type II
T3	Type III
T4	Type IV
T4A	Front Row
T5	Type V
40	40° Narrow Flood
55	55° Medium Flood
70	70° Wide Flood

MOUNTING

PM	Pole Mount
WB	Wall Bracket
RPMA	Round Pole Mount Adapter ⁸
LYM	Heavy Duty Large Yoke Mount
YM	Yoke Mount
SF	Slip Fitter
PMA	Pole Mounting Arm Adapter ^{2%}

FINISH

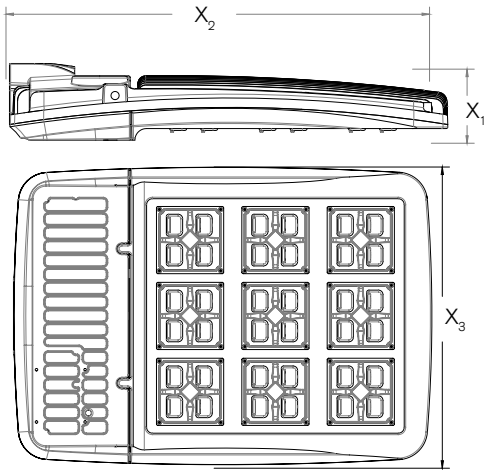
BZ	Bronze ¹
BL	Black
WH	White
SL	Silver
CU	Custom ²

OPTIONS

PC	Photocell (Twist Lock)
MS	Motion Sensor (with Dimming) ^{5,10}
9	95 CRI
H	Glare Shield/ House Side Shield
7P	NEMA 7-Pin Receptacle ¹⁰
7R	NEMA 7-Pin Receptacle & Photocell ¹⁰
D	Stand-Alone Scheduled Dimming
R	Rotated Right Optics ⁹
L	Rotated Left Optics ⁹

- ¹ Standard for fixture
- ² Contact factory for custom finish
- ³ Delivered Lumens (5000K Type III distribution) - See full lumen chart on Page 5 for other optics and CCT
- ⁴ Standard Color Temperature
- ⁵ 20ft mounting height lens standard. Contact factory for higher mounting.
- ⁶ 480V option only available on models 60W and higher.
- ⁸ Must be ordered in conjunction with the Pole Mount Bracket
- ⁹ View illustration of rotated optics on Page 6
- ¹⁰ MS option not available in conjunction with 7R or 7P
- ¹¹ If D4 or photocell not selected than shorting cap is required

Dimensions



	Inches
X₁	3.86
X₂	22.1
X₃	15.7

Length with Mounts:

Pole Mount (PM)	27.6"
Wall Bracket (WB)	23.7"
Large Yoke (LYM)	26.16"
Yoke (YM)	27.78"
Slip Fitter (SF)	29.4"
Pole Mount Arm (PMA)	26.13"

Motion Sensor & Bi-Level

FSP-211

The FSP-211 mounts in an outdoor lighting fixture and provides multi-level control based on motion. The sensor also includes a photocell to measure the ambient light level. It controls 0-10 VDC LED drivers and with an FSP-LX Lens, is rated for wet and cold locations. All control parameters are adjustable via a wireless configuration tool capable of storing and transmitting sensor profiles.

Key Factors:

- Full adjustable high and low dimmed light levels.
- Designed for LED fixtures; rated for extreme temperatures and up to 200,000 on/off cycles
- Hold off set point with automatic calibration option for convenience and added energy savings
- Adjustable via hand-held wireless configuration tool
- IP66 rated with choice of lenses for wet and outdoor locations and mounting heights from 8'
- Adjustable time delay and cut off delay
- 120-277V Standard (347V or 480V with FSP-201 model)

Photocell

*Twist-lock photocell only when ordered without motion sensor. When paired with a motion sensor, the FSP-211 sensor (FSP-201 for 347V or 480V) is used for both motion sensing and photo sensing capabilities.



Stand-Alone Scheduled Dimming DIMULATOR 4

FEATURES:

- Saves power, saves money, quickly pays for itself
- Advanced time/date algorithm auto-adjusts for daylight savings
- Just plug it in - will automatically synchronize to local time
- Advanced light sensor, only reacts to sunlight
- Immune to LED and other artificial light
- No false activations (no cycling)
- May be oriented in any direction

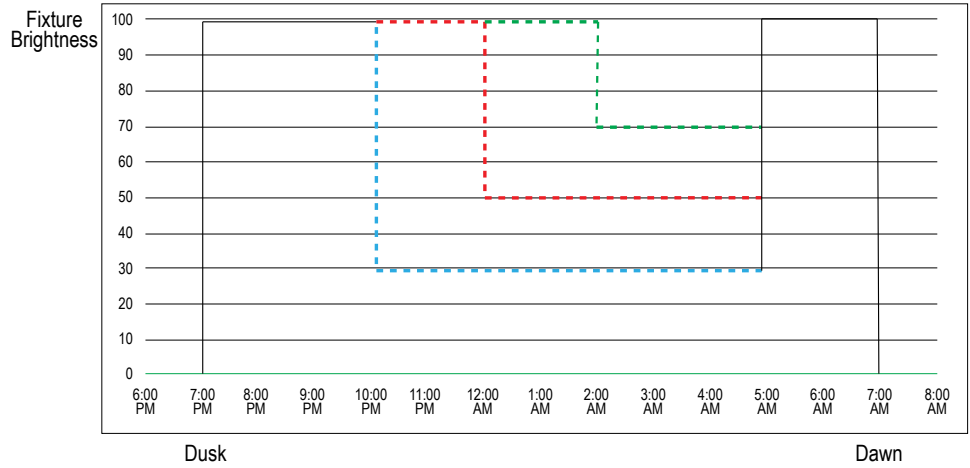
BENEFITS:

- No Network Required
- Extend the life of the Fixture
- Long Life Photocontrol features
- AM Ramp up to Full Brightness
- Robust Surge Protection
- 40k Amp MOV/640Joule
- Light Diagnostic on Installation



Schedule Setting: 10 Position Selector Switch

SWITCH POSITION	DIMMING % - TIME
0	No Dimming
1	30% - 10 pm, for 7 hrs
2	50% - 10 pm, for 7 hrs
3	70% - 10 pm, 7 hrs
4	30% - Midnight, for 5 hrs
5	50% - Midnight, for 5 hrs
6	70% - Midnight, for 5 hrs
7	30% - 2 am, for 3 hrs
8	50% - 2 am, for 3 hrs
9	70% - 2 am, for 3 hrs



Options

Glare Shield



House Shield

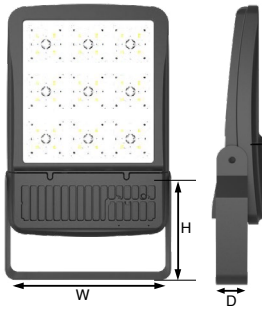


Other Views



Mounting Options

LARGE YOKE MOUNT



SLIP FITTER



POLE MOUNT



ROUND POLE MOUNT ADAPTER



YOKE MOUNT



POLE MOUNTING ARM ADAPTER



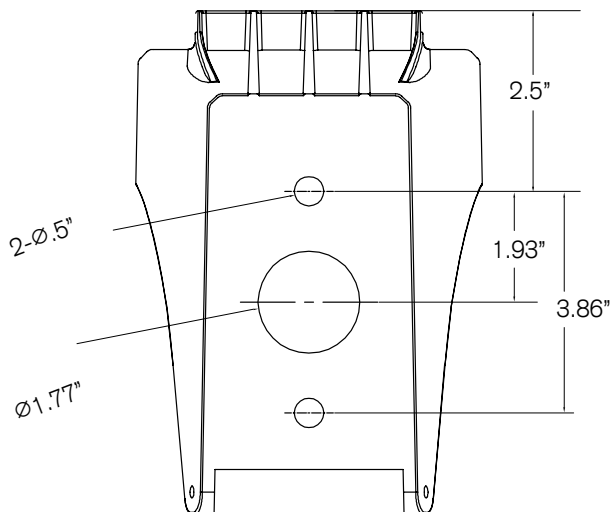
*Fits 3-4" Pole

WALL BRACKET

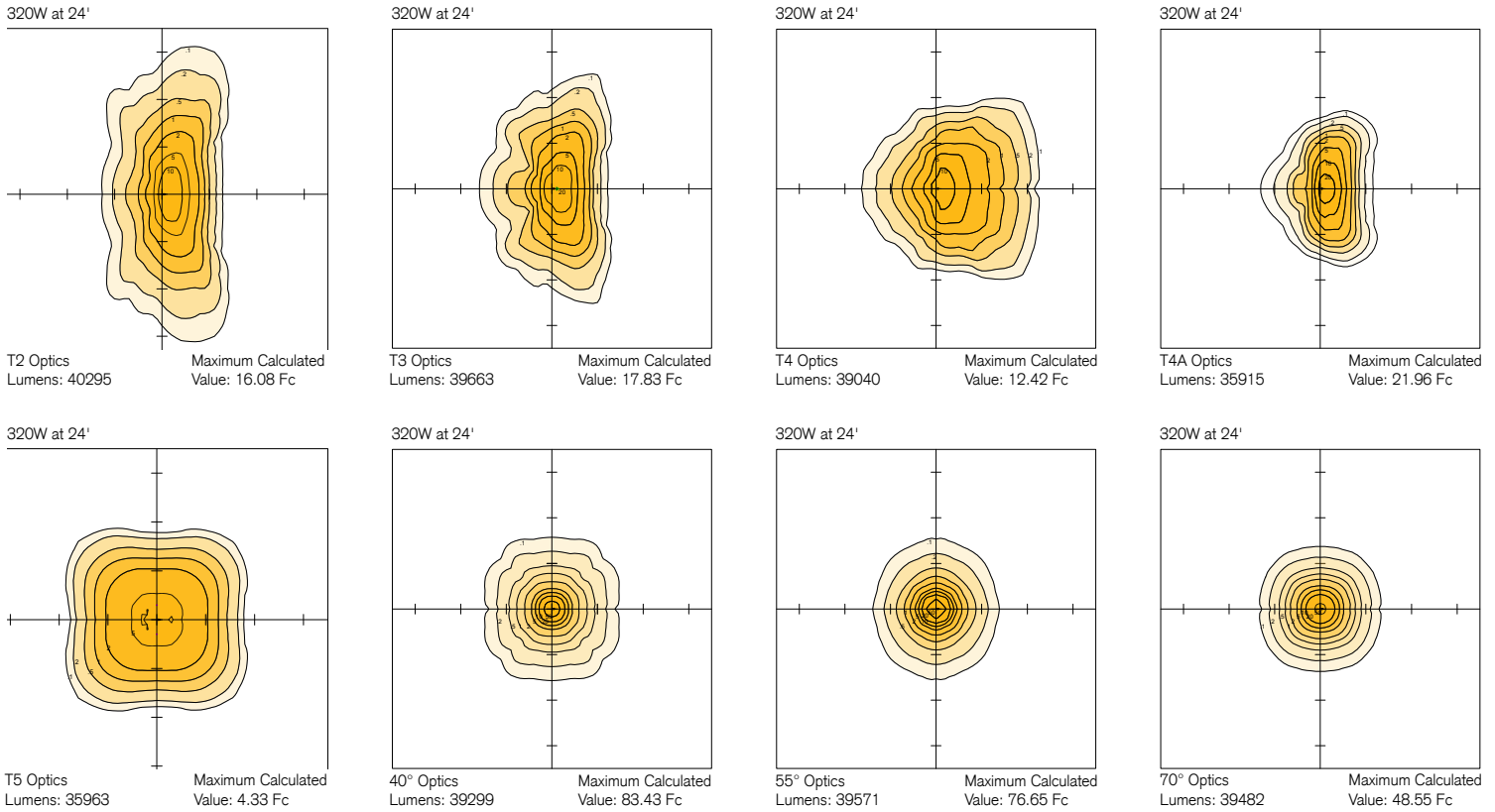


	H	W	D
Large Yoke Mount	10.4"	15.23"	2.00"
Slip Fitter	6.60"	3.46"	2.80"
Pole Mount	5.60"	3.80"	6.00"
Round Pole Mount Adapter	6.60"	3.80"	6.00"
Yoke Mount	5.70"	5.34"	2.52"
Pole Mounting Arm Adapter	4.09"	3.94"	3.65"
Wall Bracket	1.57"	3.82"	7.87"

Mounting Hole Spacing



Photometrics



Lumen Chart (5000K)

SYMMETRIC DISTRIBUTION - 5000K LUMEN OUTPUT

MODEL NUMBER	SYSTEM WATTAGE	TYPE 5	B-U-G RATIN			40° FLOOD	B-U-G RATIN			55° FLOOD	B-U-G RATIN			70° FLOOD	B-U-G RATIN		
D826-LED-160-50-UNV-LP	151W	20037	4	9	2	20784	5	9	1	20928	5	9	2	20881	4	9	1
D826-LED-180-50-UNV-LP	169W	22492	5	1	3	24903	5	1	2	25075	5	1	2	25019	5	1	2
D826-LED-200-50-UNV-LP	186W	24971	5	1	3	29058	5	1	2	29259	5	2	2	29194	5	1	2
D826-LED-240-50-UNV-LP	222W	29999	5	2	3	30472	5	1	2	30683	5	2	2	30614	5	1	2
D826-LED-260-50-UNV-LP	244W	31815	5	2	4	33243	5	1	2	33473	5	2	2	33398	5	2	2
D826-LED-280-50-UNV-LP	266W	33414	5	2	4	34711	5	1	2	34951	5	2	2	34873	5	2	2
D826-LED-320-50-UNV-LP	311W	35962	5	2	4	39299	5	1	2	39571	5	2	3	39482	5	2	2

ASYMMETRIC DISTRIBUTION - 5000K LUMEN OUTPUT

MODEL NUMBER	SYSTEM WATTAGE	TYPE 2	BUG RATING			TYPE 3	BUG RATING			TYPE 4	BUG RATING			TYPE 4A	BUG RATING		
D826-LED-160-50-UNV-LP	151W	21311	3	1	4	20975	3	1	3	20647	3	1	3	20011	3	1	2
D826-LED-180-50-UNV-LP	169W	25534	3	1	5	23718	3	1	3	24739	3	1	3	22363	3	1	2
D826-LED-200-50-UNV-LP	186W	29795	3	1	5	26522	3	1	3	28867	3	1	4	24728	3	1	2
D826-LED-240-50-UNV-LP	222W	31244	4	2	5	32311	4	1	4	30271	3	1	4	29482	3	1	3
D826-LED-260-50-UNV-LP	244W	34085	4	2	5	34454	4	1	4	33024	3	1	4	31385	3	1	3
D826-LED-280-50-UNV-LP	266W	35591	4	2	5	36394	4	1	4	34482	3	1	4	33091	3	1	3
D826-LED-320-50-UNV-LP	311W	40295	4	2	5	39664	4	1	4	39040	3	2	5	35907	3	1	3

*To scale to other color temperatures, multiply 5000K values by 0.98 for 4000K, 0.95 for 3500K, or 0.93 for 3000K

ALL VOLTAGES 120-277V, 347V, AND 480V

	160W	180W	200W	240W	260W	280W	320W
	All Optics	All Optics	All Optics	All Optics	All Optics	All Optics	All Optics
3000K	X	X	X	X	X	X	X
3500K	X	X	X	X	X	X	X
4000K	X	X	X	X	X	X	X
5000K	X	X	X	X	X	X	X

95 CRI Lumen Output

DELIVERED LUMEN OUTPUT

	5000K	4000K	3500K	3000K	AMBER
Standard	100%	98%	95%	93%	70%
95 CRI	78%	75%	73%	67%	--

Use above multipliers relative to the 5000K delivered lumen output of the desired optic distribution below to calculate 95 CRI light output.

Projected LED Maintenance

Operating Hours	0	25,000	50,000	75,000	100,000
Lumen Maintenance Factor	25°C (77°F) Ambient Outdoor Temp				
	1	0.97	0.94	0.91	0.88
	55°C (131°F) Ambient Outdoor Temp				
	1	0.91	0.84	0.78	0.72

Rotated Optics

LED AREA LUMINAIRE

Featuring T4A Optics for Automotive Applications

Shown in Triple-Mount Orientation with Rotated Type 4A Optics

↻ Rotated Right
↻ Rotated Left

