

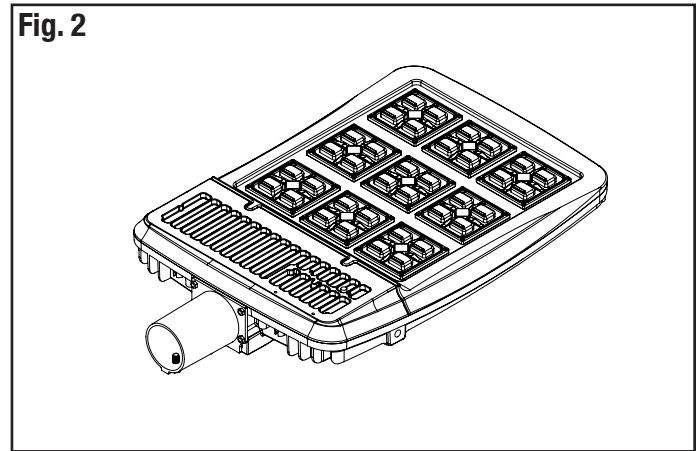
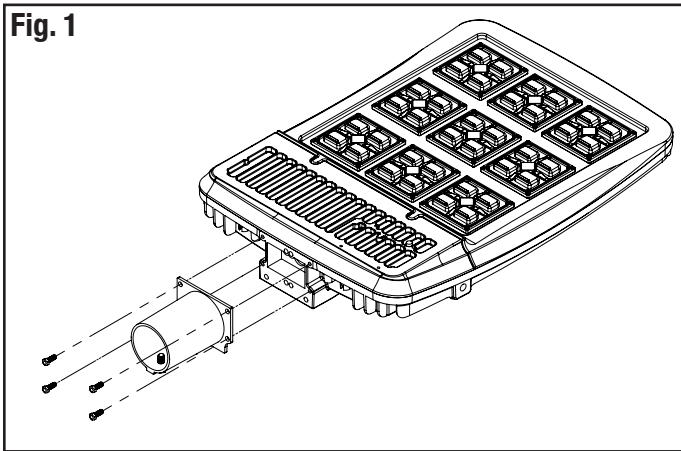


SAFETY PRECAUTION

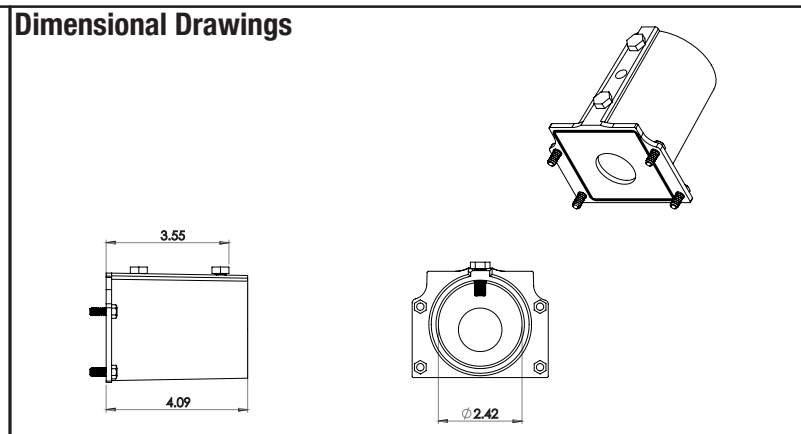
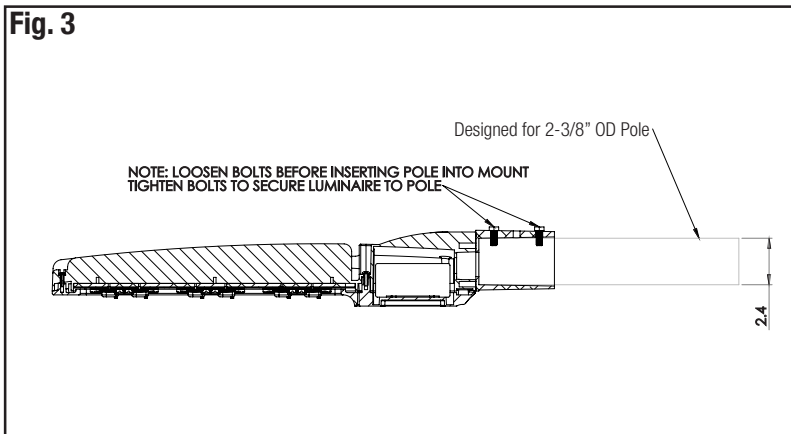
Before starting the installation and servicing, disconnect the power by turning off the circuit breaker. Turning the power off by using the light switch is not sufficient to prevent electrical shock. All work should be done by a qualified electrician. This product must be installed in accordance with the applicable installation code by a person familiar with the construction and operation of the product and the hazards involved.

Pole Mount Arm (Mast Arm):

1. Align the Pole Mount Arm mounting holes with the (4) mounting holes on the rear side of the luminaire housing. (Fig. 1)



2. Place the Pole Mount Arm against the housing, and route the Line, Neutral, and Ground wires through the small hole in the arm.
3. Fasten the arm to the housing using (4) included 1/4-20 bolts and the appropriate washers. (Fig. 2)
4. Loosen the (2) retaining bolts on the top of the arm so that the pole will not interfere with the bolts.
5. Connect the Line, Neutral, and Ground wires from the pole to the luminaire using the appropriate connectors.
6. Slide the pole completely into the arm and ensure that the luminaire is horizontal with the ground.
7. Tighten the (2) retaining bolts to fasten the luminaire to the pole. (Fig. 3)

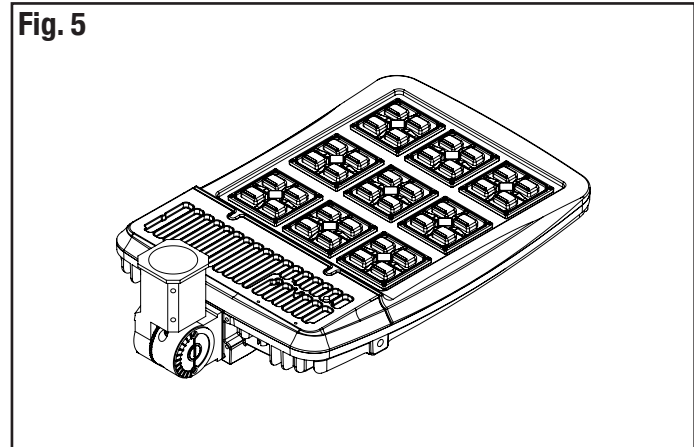
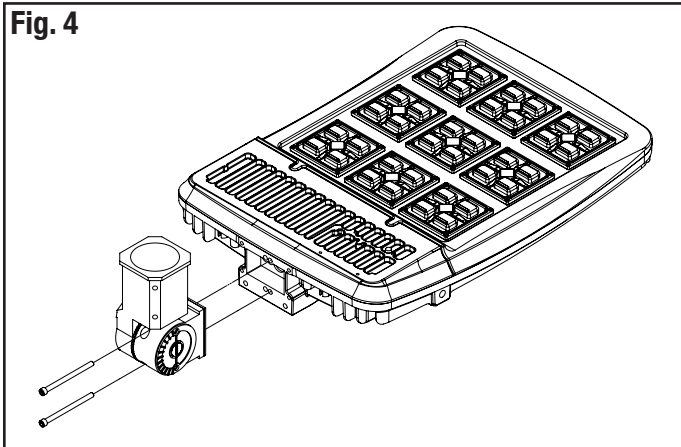


Specifications subject to change without notice. Photos and line drawings may not be to scale and are for general reference only.

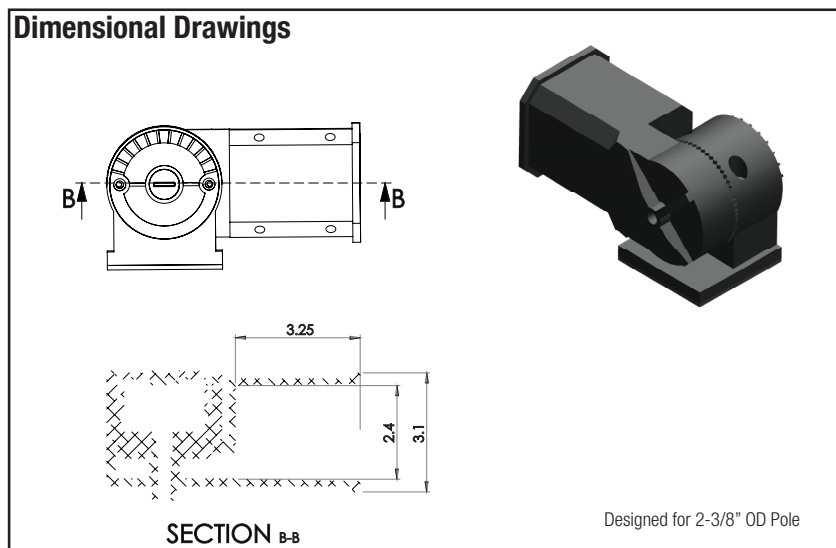


Slipfitter:

1. Align the Slipfitter mounting holes with the (2) mounting holes on the rear side of the luminaire housing. (Fig. 4)



2. Place the Slipfitter against the housing, and route the Line, Neutral, and Ground wires through the arm.
3. Fasten the arm to the housing using (2) included 1/4-20 bolts. (Fig. 5)
4. Loosen the (4) set screws on the sides of the arm so that the pole will not interfere with the bolts.
5. Connect the Line, Neutral, and Ground wires from the pole to the luminaire using the appropriate connectors.
6. Slide the pole completely into the arm and ensure that the luminaire is at the desired angle.
7. Tighten the (4) set screws to fasten the luminaire to the pole.



Pole Mount:

1. Drill (1) wire hole and (2) mount holes into the pole, at the dimensions shown in the diagram.
2. Align the Pole-Mount mounting holes with the (2) mounting holes on the top of the rear side of the luminaire housing. (Fig. 6)

Specifications subject to change without notice. Photos and line drawings may not be to scale and are for general reference only.



Fig. 6

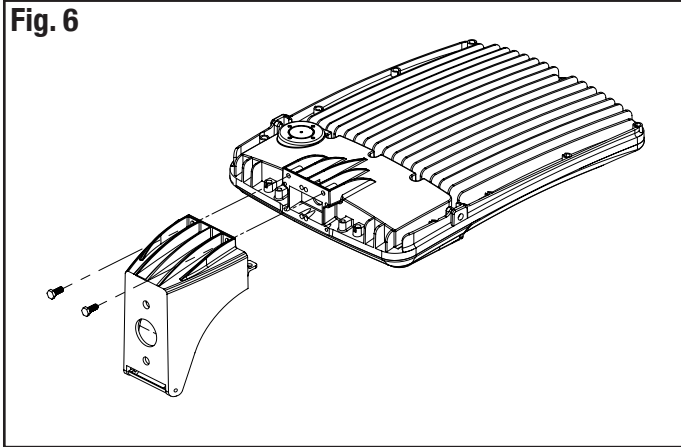
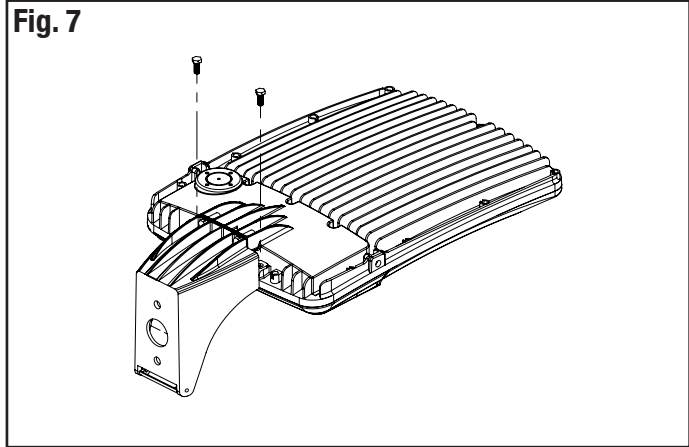
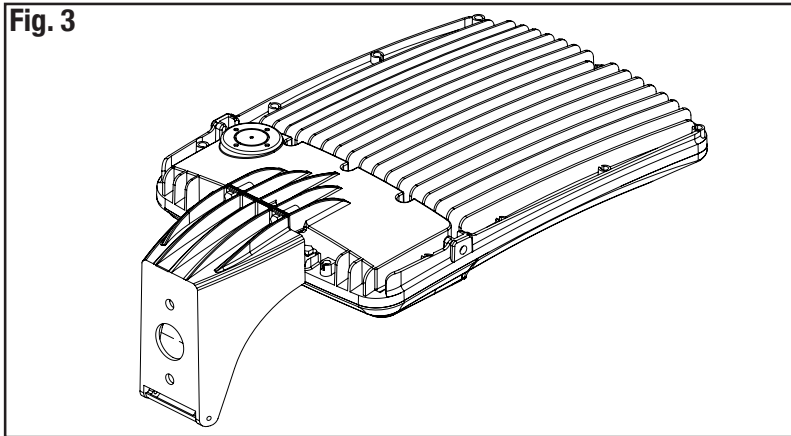


Fig. 7

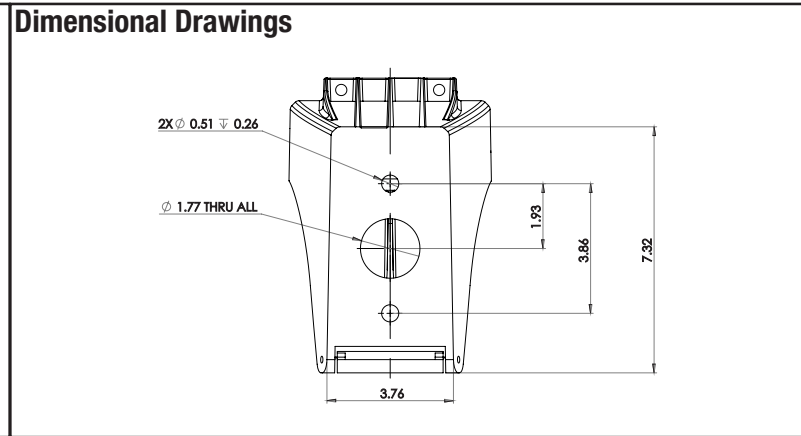


3. Place the Pole Mount against the housing, and route the Line, Neutral, and Ground wires through the mount.
4. Fasten the arm to the housing using (2) included 1/4-20 bolts through the rear of the mount to the rear of the housing, and (2) additional included 1/4-20 bolts through the top side of the mount into the housing, as shown in the diagram. (Fig. 7)
5. Loosen, but do not discard the (2) #8-32 screws on the underside of the arm, and open the access door.
6. Place the luminaire and Pole Mount on the pole, and bolt the pole mount to the pole using (2) 3/8-16 Bolts along with the appropriate washers, lock washers, and nuts.
7. Connect the Line, Neutral, and Ground wires from the pole to the luminaire using the appropriate connectors.
8. Close the access door and secure the door with the (2) #8-32 screws from step 5. (Fig. 8)

Fig. 3



Dimensional Drawings



Yoke Mount:

1. Drill (1) wire hole and (2) mounting holes using the dimensions in the attached diagram.
2. Connect the luminaire to the mounting surface using two included retaining bolts.
3. Feed the cable into an appropriate fitting to maintain a watertight seal.

Large Yoke Mount:

1. Drill (1) wire hole and (2) mounting holes using the dimensions in the attached diagram.
2. Connect the luminaire to the mounting surface using two included retaining bolts.
3. Feed the cable into an appropriate fitting to maintain a watertight seal.

Specifications subject to change without notice. Photos and line drawings may not be to scale and are for general reference only.



Wall Mount:

1. Pre-drill holes into a secure flat surface, so that the wall bracket will bolt directly to the wall, covering the J Box, and sit level.
 2. Attach the wall mount bracket to the housing using the (2) included bolts and washers
- NOTE: Ensure that the key slot holes are towards the top side of the housing, per the diagram.
3. Make necessary wiring connections.
 4. Bolt the fixture to the wall.
 5. Use gasket material (not included) between the wall mount bracket and the wall surface to decrease the risk of water ingress.

Fig. 1

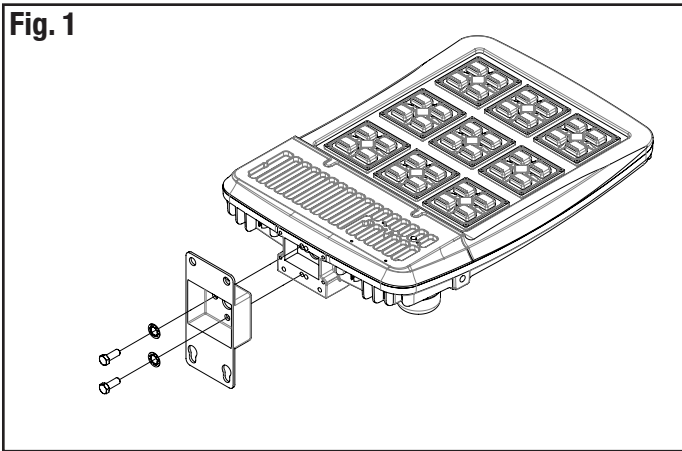


Fig. 2

