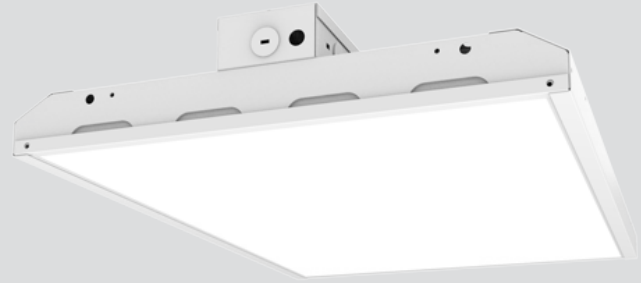


DHL-LP-LED™

Low Profile LED Linear High/Low Bay

Client: _____ Order #: _____
Project Name: _____ Type: _____ Qty: _____



Performance Data

CRI

80+

CCT

3500K,4000K, 5000K

Projected Lifetime

>173,000 Hours (L70);

>50,000 Hours (L90)

Dimming

0-10V Dimming Standard

Operating Temperature

-30°C to +52°C Ambient (-22°F to +125°F)

UL Listed

UL, Suitable for dry and damp locations

UL

Listed

10 Yr

Warranty Available

Description

The DHL-LP-LED™ is an innovative interior high bay lighting luminaire that delivers top-end performance packaged into a sleek form factor. This low-profile linear high bay/low bay luminaire offers commercial and industrial building owners an all-in-one solution for illuminating their facility while drastically reducing energy consumption to aid their bottom line. The DHL-LP-LED™ high bay luminaire features top-quality construction, a range of lumen packages, and various control options that make it a versatile solution for commercial and industrial building owners looking to upgrade to next-generation LED technology. Delivers up to 130lm/W.

Features

Optical System

- Reflector systems features highly reflective coating, delivering adequate light for high ceiling applications.
- Diffuser lens reduces glare and improves occupant working conditions while maintaining high efficiencies.

Construction

- Rugged and durable construction withstands warehouse environments with an IP54 rating. Luminaire features durable, matte white finish.
- For more features see page 2

Ordering Information

A FIXTURE SERIES

DHL-LP-LED™ Low Profile LED Linear High/Low Bay

B SIZE

2	2'
4	4'

C WATTAGE/ LUMENS (SIZE 2)

65	65W/9300 ¹
90	90W/13050 ¹
135	135W/19300 ¹
178	178W/25000 ¹

(SIZE 4)

260	260W/37400 ¹
-----	-------------------------

D CCT

354050 3500K-4000K-5000K

E VOLTAGE

U 120-277V

F LENS

F Frosted

G OPTIONS

E Emergency²
#54890 Sensor

H MOUNTING

See accessories table on page 3

I WARRANTY³

-	5 Year Warranty
10	10 Year Warranty
10L	10 Year Warranty including labor



Qualification Model #:

DP-LHB-2-65-3CCT-[Blank,EM]-[Blank,MS,BT]
DP-LHB-2-90-3CCT-[Blank,EM]-[Blank,MS,BT]
DP-LHB-2-135-3CCT-[Blank,EM]-[Blank,MS,BT]
DP-LHB-2-178-3CCT-[Blank,EM]-[Blank,MS,BT]
DP-LHB-4-260-3CCT-[Blank,EM]-[Blank,MS,BT]

¹ Delivered Lumens (4000K). For full lumen chart please see page 3

² Max ambient temperature is 50°C

³ 5 year standard unless specified

Features (continues)

Installation / Mounting

- Various mounting options available, including suspension, pendant, and surface mount. V-hook hangers and 41' chain accessories included.

Electrical

- Luminaire utilizes high-efficacy LED packages running at low operating temperatures for extended fixture lifetime.
- Universal voltage (120-277V) for convenient installation, 347 & 480V Optional
- Comes equipped with luminaire quick-disconnect.

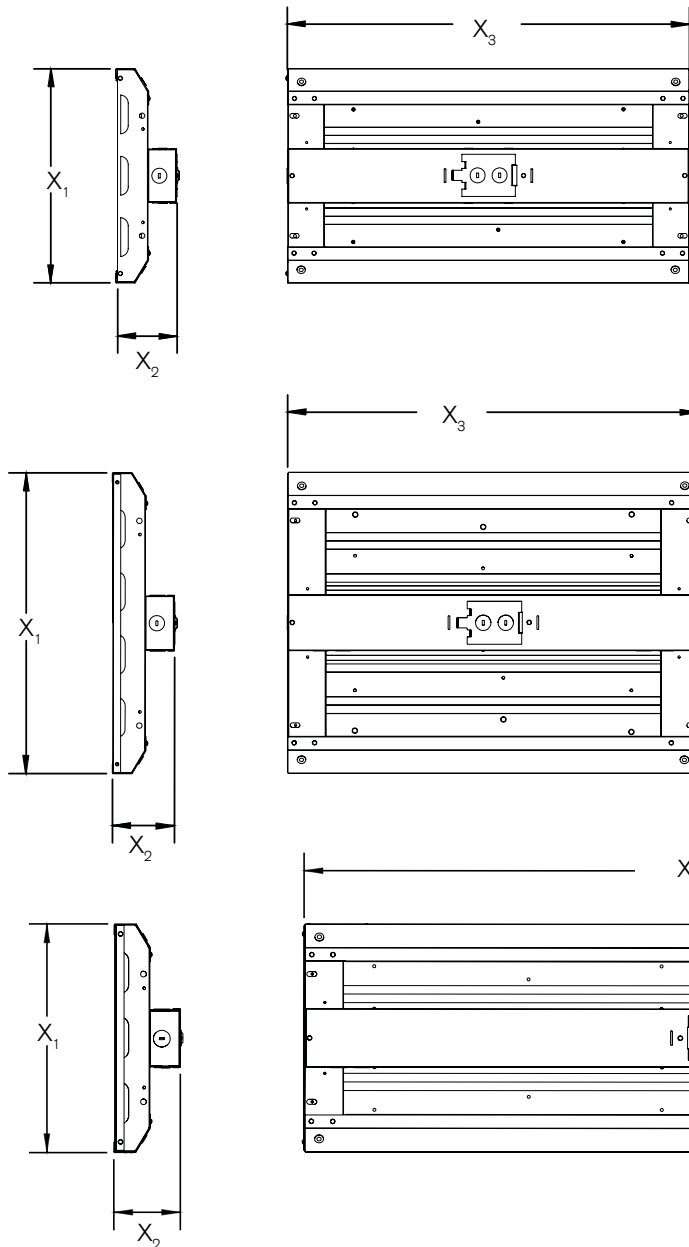
Controls / Dimming

- Continuous dimming (0-10V) comes standard.
- Suitable for use with dimmers, sensors, daylight harvesting and other control strategies to achieve deeper energy-savings and code compliance.

Certifications

- UL Listed, suitable for Dry and Damp locations (not Wet location)
- UL Class 2 Driver: SCP, OTP, OVP protection, FCC Part 15 Class B, UL8750 Class 2.

Dimensions

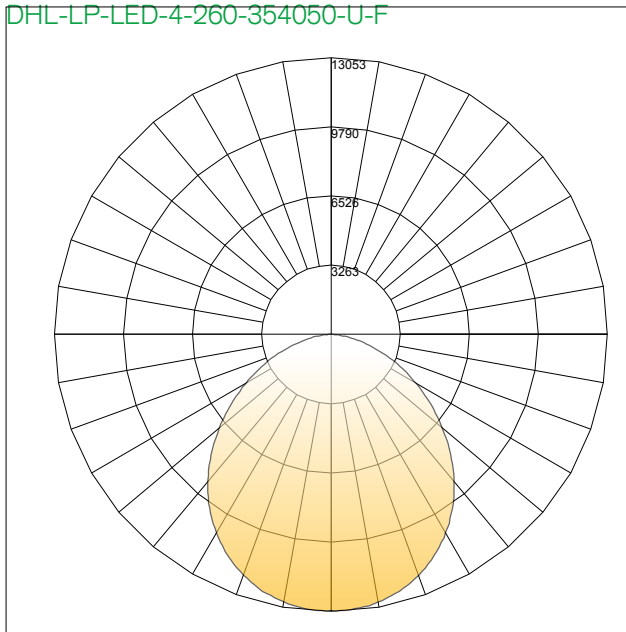


	Inches		
	65W/90W Version	135W/178W Version	260W Version
X₁	12.66	17.37	12.69
X₂	3.62	3.62	3.69
X₃	23.81	23.81	45.87

REPLACEMENT DRIVER

DHL-LPLED21783 DHL-LPLED29035 DHL-LPLED42603	SR80W1750CUL03
DHL-LPLED21353 (2 Drivers)	SR60W1300CUL-03 SR60W1300CUL-01
DHL-LP2135-MS (2 Drivers)	SR60W1300CUL-03 SR60W1300CUL-01

Photometric - Polar Graph



Lumen Chart

Model #	Watts	Lumens			LPW		
		3500K	4000K	5000K	3500K	4000K	5000K
2'							
DHL-LP-LED265354050-U-F	65	8500	9300	8700	131.3	143	134
DHL-LP-LED290354050-U-F	90	11900	13050	12100	132.7	145	135
DHL-LP-LED2135354050-U-F	135	17700	19300	17900	131.1	143	133
DHL-LP-LED2178354050-U-F	175	23000	25000	23400	131.5	143	134
4'							
DHL-LP-LED4260354050-U-F	260	34450	37400	35100	132.5	144	135

Accessories (Ordered and Shipped Separately)

OPTIONS

DHL-LP-WG-2-4L-H	2' 4-Lamp Wire guard for DHL-LP High bay (65W,90W Housing)
DHL-LP-WG-2-6L-H	2' 6-Lamp Wire guard for DHL-LP High bay (135W, 178W Housing)
DHL-LP-WG-4-3L-H	4' 3-Lamp Wire guard for DHL-LP High bay (260W)

MOUNTING

DHL-LP-2-4L-SU-H	Surface Mount Kit For High-bay Flat Panel (2pc) Set (65W, 90W, 260W Housing)
DHL-LP-2-6L-SU-H	Surface Mount Kit For High-bay Flat Panel (2pc) Set (135W, 178W Housing)
DHL-LP-HOOK-2-4L-H	V HOOK Mounting Kit High-bay Flat Panel (2 per) (65W, 90W, 260W Housing)
DHL-LP-HOOK-2-6L-H	V HOOK Mounting Kit High-bay Flat Panel (2 per) (135W, 178W Housing)
DHL-LP-CHAIN-1M-H	Mounting Chain For High-bay Flat Panel, 36" (Must Be ordered with V-HOOK)
DHL-LP-CENTER BOX-H	Mounting Center Box For High-bay Flat Panel 20 Gua. (For Stem Use)
S12 (Part#290125 & C545Wht)	12" 3/8" IPS Stem Gloss White (5/8" OD) (Must be ordered w/ DHL-LP-CENTER BOX)
S18 (Part#290138 & C545Wht)	18" 3/8" IPS Stem Gloss White (5/8" OD) (Must be ordered w/ DHL-LP-CENTER BOX)
S24 (Part#290182 & C545Wht)	24" -3/8 IPS Stem Gloss White (5/8" OD) (Must be ordered w/ DHL-LP-CENTER BOX)
S36 (Part#290137 & C545Wht)	36" 3/8" IPS Stem Gloss White (5/8" OD) (Must be ordered w/ DHL-LP-CENTER BOX)
S48 (Part#290126 & C545Wht)	48" 3/8" IPS Stem Gloss White (5/8" OD) (Must be ordered w/ DHL-LP-CENTER BOX)
DEC4011003-6	Universal Yoke and Toggle Aircraft Cable Suspension Kit 6'
DEC4011003-10	Universal Yoke and Toggle Aircraft Cable Suspension Kit 10'
DEC4011003-15	Universal Yoke and Toggle Aircraft Cable Suspension Kit 15'