

LED SPEC-SELECT™ DESIGNER STRIP

INSTALL INSTRUCTIONS



PLEASE FIND A QUALIFIED ELECTRICIAN FOR INSTALLATION. Please read the instructions before you install and use the luminaire.

WARNING, CAUTIONS AND OPERATING INSTRUCTIONS

- To reduce the risk of death, personal injury or property damage from fire, electric shock, falling parts, cuts/abrasions, and other hazards read all warnings and instructions included with and on the fixture box and all fixture labels.
- Before installing, servicing, or performing routine maintenance upon this equipment, follow these general precautions.
- Commercial installation, service and maintenance of luminaires should be performed by a qualified licensed electrician.
- For the installation: If you are unsure about the installation or maintenance of the luminaires, consult a qualified licensed electrician and check your local electrical code.
- To prevent wiring damage or abrasion, do not expose wiring to edges of sheet metal or other sharp objects.
- Do not make or alter any open holes in an enclosure of wiring or electrical components during kit installation.

WARNING: RISK OF FIRE OR ELECTRICAL SHOCK

- Turn off electrical power at fuse or circuit breaker box before wiring fixture to the power supply.
- Turn off the power when you perform any maintenance.
- Verify that supply voltage is correct by comparing it with the luminaire label information.
- All wiring connections should be capped with UL approved wire connectors.

CAUTION: RISK OF INJURY

- Avoid direct eye exposure to the light source while it is on.
- Account for small parts and destroy packing material, as these may be hazardous to children.
- Risk of burn. Disconnect power and allow fixture to cool before changing bulb or handling fixture.
- Green ground screw provided in proper location. DO NOT RELOCATE.
- Minimum 90° supply conductors.
- Suitable for Dry or Damp locations.

WARNING - TURN OFF POWER SUPPLY FROM MAIN CIRCUIT BREAKER BEFORE INSTALLING OR SERVICING.

SURFACE MOUNTING

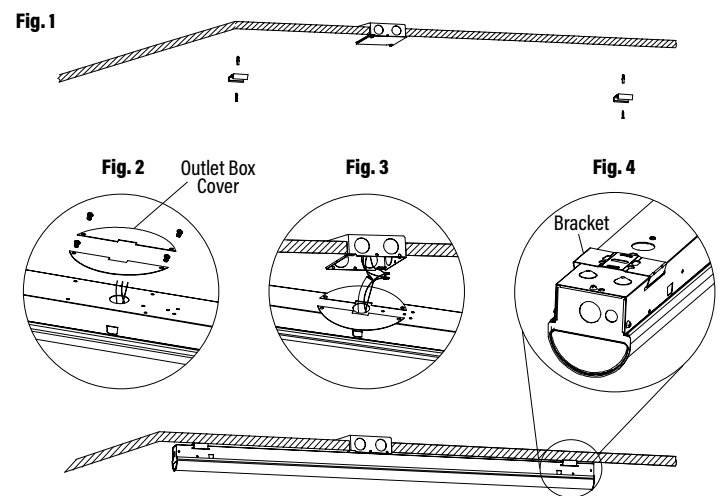
1. Secure the provided brackets onto the ceiling by using the provided accessories and screws. (Fig. 1)
2. Screw the covers at the outlet to the back of the housing. (Fig. 2)
3. Wire to main power through the junction box. (Fig. 3)
4. Then clip the brackets to the slots of fixture. (Fig. 4)

CHAIN MOUNTING WITH V-HOOK:

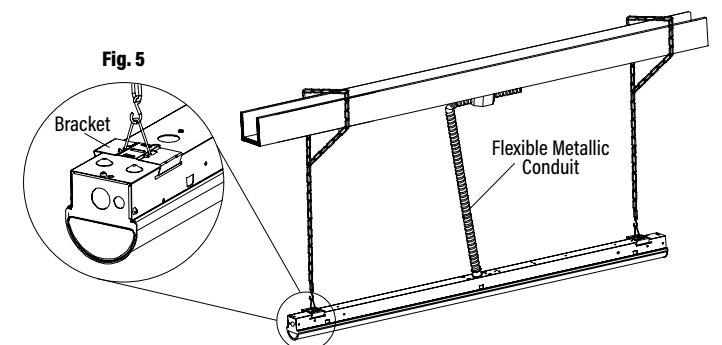
1. Clip the brackets to the slots of fixture. (Fig. 5)
2. Attach customer supplied V-hooks to brackets.
3. Attach customer supplied chain to the V-hooks and mounting surface.

LENS INSPECTION: After installation check to make sure the lens is completely secure, snapped inside the entire length of the lamp body and fitted under the end cap. Gently pull down on the lens to ensure it does not shift.

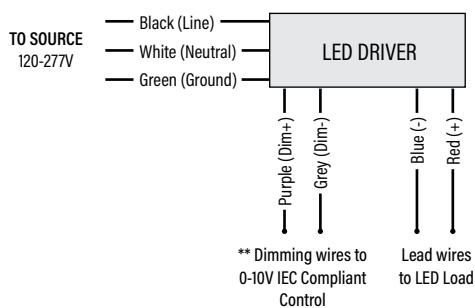
SURFACE MOUNTING



CHAIN MOUNTING



GENERAL WIRING DIAGRAM



LED SPEC-SELECT™ DESIGNER STRIP

INSTALL INSTRUCTIONS



WARNING - TURN OFF POWER SUPPLY FROM MAIN CIRCUIT BREAKER BEFORE INSTALLING OR SERVICING.

FIELD ADJUSTABLE WATTAGE & CCT

The end users may adjust the color temperature and lumen output, respectively, by the two slide switches integrated into the side of the fixture. Each switch has 3 options (left, middle and right), each position corresponds to 1 of 3 color temperatures (Warm White, Cool White, and Sky-Brite®) and 1 of 3 wattages, which can be adjusted to the desired combination.

Default Settings for 55610: 30W, 5000K

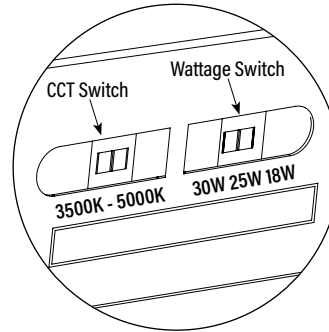
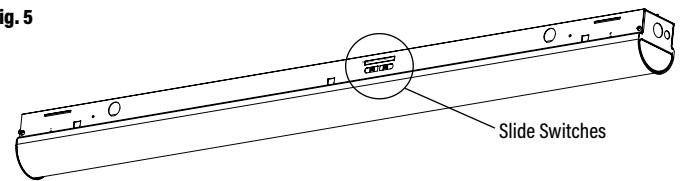
Default Settings for 55611: 45W, 5000K

Default Settings for 55612: 54W, 5000K

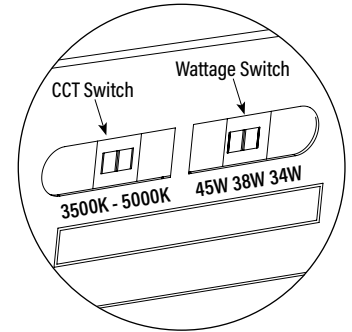
Default Settings for 55613: 90W, 5000K

1. Switches are located on the side of the fixture. (Fig. 5)
2. Select a wattage and color temperature by sliding switch left or right respectively to the desired value. (Fig. 5)

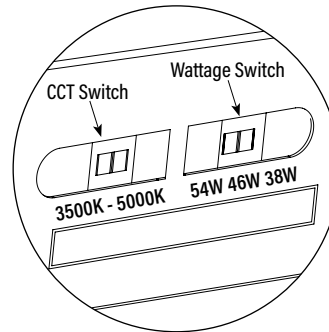
Fig. 5



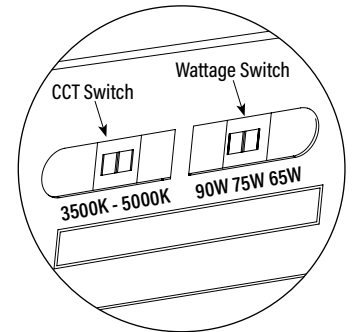
55610



55611



55612



55613