



83708 / 83709
9.45"(W) x 5.15"(H) x 13.5"(D)



SPECIFICATIONS

WATT	ITEM#	DESCRIPTION	COLOR	LUMENS	Lm/W	CRI	BEAM	VOLTS	LIFE	LED QTY	POWER FACTOR	INPUT CURRENT
35W	83708	35W DUSK TO DAWN W/BOTTOM LENS/40K - SL®	4000K	2900	83	70	120°	100-277	50,000	1	0.95	0.5A
50W	83709	50W DUSK TO DAWN W/BOTTOM LENS/40K - SL®	4000K	4200	84	70	120°	100-277	50,000	1	0.95	0.85A

SAFETY INSTRUCTIONS

Read instructions carefully before attempting to install fixture. Retain instruction for future reference.

CAUTION: This product use an input 100-277VAC driver of wide range voltage, but the actual working voltage is depend on the input voltage of the photocell that installed on the product. Normally the input voltage of photocell is 120V/208V/240V/277V single range, and also have 120-277VAC wide range. Please pay attention when installation.

WARNING: To avoid the risk of fire, explosion, or electric shock, this product should be installed, inspected, and maintained by a qualified electrician only, in accordance with all applicable electrical codes.

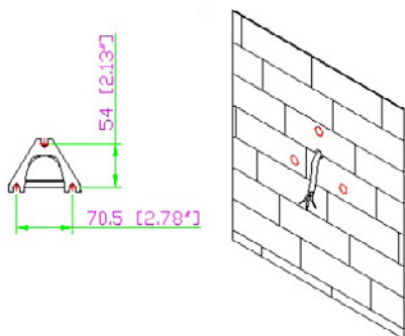
WARNING:To avoid electric shock: Be certain electrical power is OFF before and during installation and maintenance. Luminaire must be connected to a wiring system with an equipment-grounding conductor.

WARNING: To avoid explosion: Make sure the supply voltage is the same as the rated luminaire voltage. Do not install where the marked operating temperatures exceed the ignition temperature of the hazardous atmosphere. Do not operate in ambient temperatures above those indicated on the luminaire nameplate. Keep lens tightly closed when in operation.

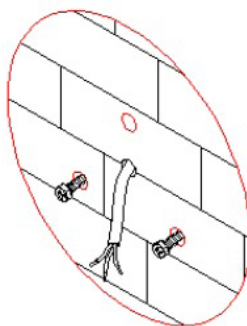
For supply connections use wire rated for at least 100°C

INSTALLATION

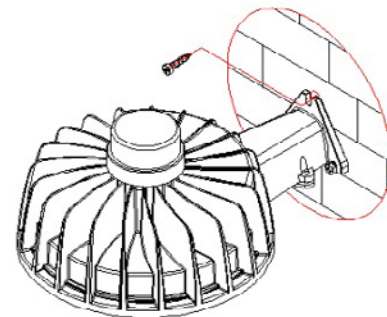
WALL MOUNT



1. First refer to the size of the diagram to bore a hole on the wall



2. Fix the two paratactic screws to the hole.



3. Hook the lamp by two screws, fix the top screw, finally tighten all screw

continued on next page



PREMIUM QUALITY LIGHTING

DUSK TO DAWN LIGHT

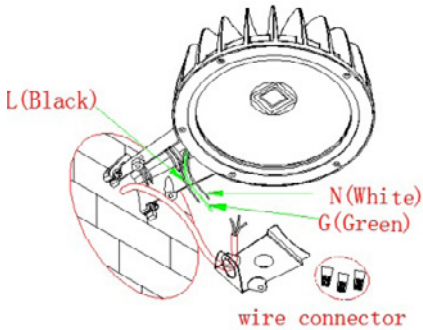
35W / 50W

INSTALL INSTRUCTIONS

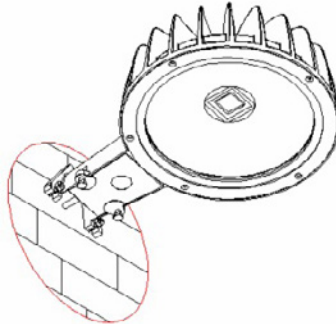


INSTALLATION

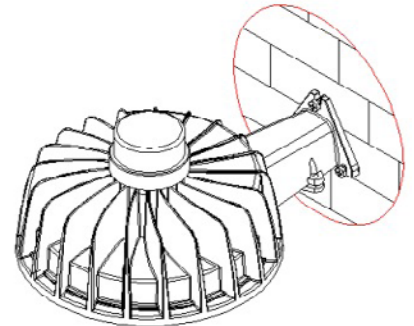
WALL MOUNT CONTINUED...



4. Pass the wire through the hole of the cover plate, connect the wire in same color (correspond to wire N, L and G) together with a wire connector.

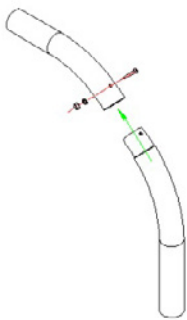


5. Put the cover plate into the U-slot, fix the screws.

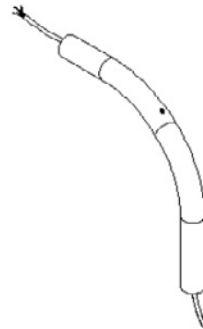


6. Installation completed, turn it on.

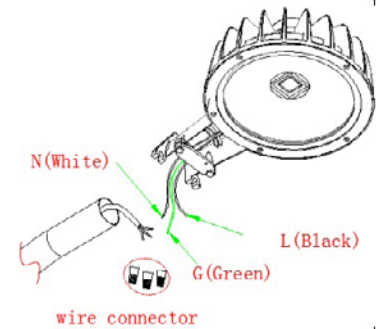
POLE MOUNT



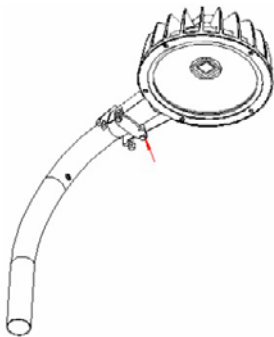
1. Assemble the two bent tube and fixed them with nut and bolt.



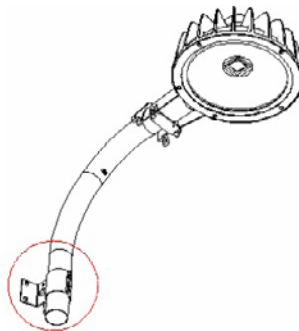
2. Pass the wire (provided by yourself) through the tube.



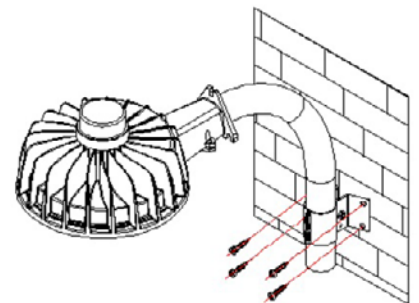
3. Connect the wire in same color (correspond to wire N, L and G) together with a wire connector.



4. Put one end of the tube into the U-slot, and then fix the tube with two hex socket screws. Please make sure that the tube will not rotate.



5. Fixed clamp on the pipe in a right position and make sure that the pipe will not rotate.



6. Install the light fixture on the wall with four screws.