

GO-LED™
LATCH AND CLOSE

Client: _____ Order #: _____
Project Name: _____ Type: _____ Qty: _____

Door Frame LED Retrofit Kit

Performance Data

CRI

80+

Tone-Select™ - CCT Selectable

3500K, 4000K, 5000K

Projected Lifetime

>54,000 Hours (L70);

>51,000 Hours (L90)

Dimming

0-10V Dimming Standard,
100% down to 10%

Operating Temperature

-30°C to +55°C Ambient

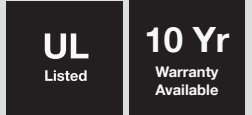
UL Listed

UL, Suitable for dry and damp locations

Warranty

5 year Standard

10 year Optional



Description

Experience the future with the GO-LED™ Latch & Close door frame retrofit kit – a smart choice for boosting efficiency and innovation. Designed for effortless installation, this kit offers an economically answer to elevating fluorescent troffers or parabolics to LED technology. Tailored to commercial settings including offices, classrooms, healthcare facilities, and retail spaces, the GO-LED™ Latch and Close retrofit kit has field selectable CCT options with choices of 5000K, 4000K, and 3500K, while setting the standard for dimmability. With an impressive efficacy of 152 lumens per watt, the GO-LED Latch Kit is an example of cutting-edge LED progress. It's way quicker to install than traditional piece-style retrofits, taking just a few minutes to brighten up your space with modern lighting.

Features

- High reflectance optical engine delivers main beam focus through the optically designed acrylic lens.
- Linear ribbed acrylic lens overlay balances efficiency & aesthetics.
- Reflector distributes light through both optical elements.
- L70 Lifetime Rating: >54,000 Hours
- Ultra efficient 152 lumens per watt performance
- Accurate interior color rendering with 80+ CRI
- Architectural Narrow style diffuser lens provides smooth, even illumination
- Door Frame style retrofit kit enables quick and easy upgrade from dated fluorescent fixtures to modern LED
- Tone-Select™ allows users to select between 5000K, 4000K, and 3500K in the field by simply switching an easily accessible three position switch. Fixture comes set/standard at 40K.

Ordering Information

A FIXTURE SERIES

GO-LED™ Latch & Close Door Frame Kit

B SIZE

22 2 x 2
24 2 x 4

C WATTAGE/LUMENS (SIZE 22)

24 24W/3504¹

(SIZE 24)

32 32W/4864¹

D CCT

354050 3500K-4000K-5000K

E VOLTAGE

U 120-277V

F FIXTURE TYPE

LC Latch and Close Kit

G OPTIONS

E Emergency
EO EnlightenedOne System²
EC Enlightened Connect
ET Enlightened IOT

H WARRANTY³

- 5 Year Warranty
10 10 Year Warranty
10L 10 Year Warranty including labor



Qualification Model #:

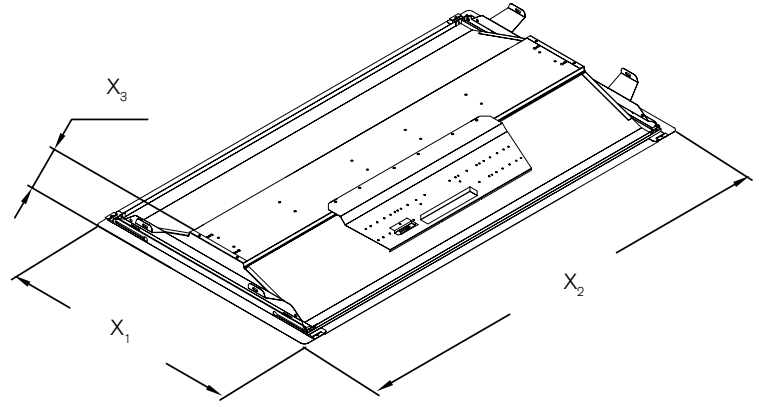
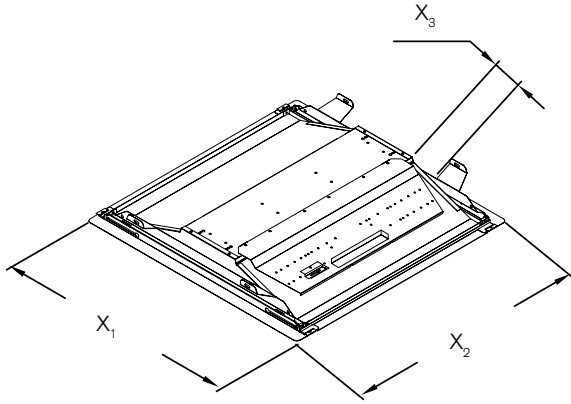
DP-CBT-22-24-3CCT-LC-[Blank,EM]-[Blank,MS,BT]
DP-CBT-22-32-3CCT-LC-[Blank,EM]-[Blank,MS,BT]
DP-CBT-24-24-3CCT-LC-[Blank,EM]-[Blank,MS,BT]
DP-CBT-24-32-3CCT-LC-[Blank,EM]-[Blank,MS,BT]

¹ Delivered Lumens (4000K) - See lumen chart on Page 2 for more information

² See page 3 for more information

³ 5 Year Warranty is Standard unless specified

Dimensions



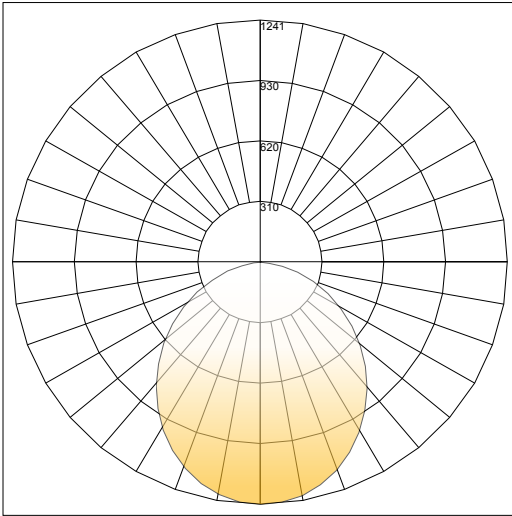
	X ₁	X ₂	X ₃
2 x 2	23.90	23.90	3.10
2 x 4	23.90	47.90	3.10

REPLACEMENT DRIVER

GO-LED2224ULC	SR30W600CUL03
GO-LED2432ULC	

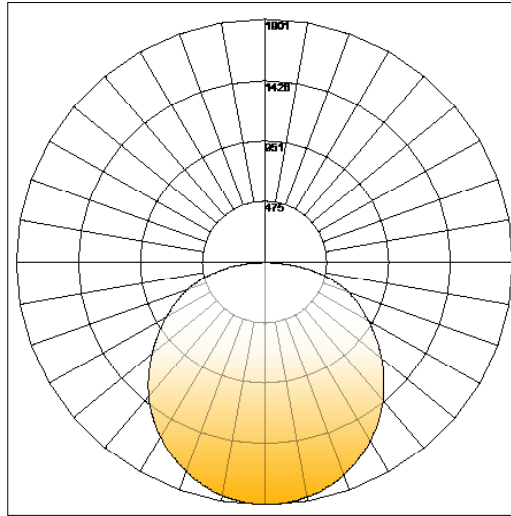
Photometric - Polar Graph

Polar Graph - 22 24W 3500K



Delivered Lumens: 3502
CRI: 80+

Polar Graph - 24 32W 3500K



Delivered Lumens: 4859
CRI: 80+

Lumen Chart

Size	Wattage	3500K		4000K		5000K	
		Lumens	LPW	Lumens	LPW	Lumens	LPW
2x2	24	3216	134	3504	146	3360	140
2 x 4	32	4576	143	4864	152	4640	145

Lens Detail



W - Architectural Narrow

Enlighted Micro Sensor

Overview

The Micro Sensor is a complete sensing and lighting control node powered from its attached light fixture. An innovative carrier-based mounting design supports easy installation and replacement. With integrated wireless communications for data transmission and remote configuration as well as autonomous fixture-level control, this sensor brings advanced lighting automation to a whole new level.

The Enlighted Micro Sensor				The Enlighted Fixture Carrier			
Body	L	0.88"	22.5mm	Body	L	0.51"	13 mm
	Dia	0.73"	18.5 mm		Dia	0.81"	20.7 mm
Bezel	Dia.	1.06"	27.0 mm	---	---	---	---



Features & Benefits

Bluetooth Low Energy:

An embedded BLE radio allows the sensor to receive and transmit beacons as well as support communication with lighting control devices and other sensors.

Enlighted Sensor Interface (ESI):

IoT Ready™ LED drivers and Enlighted Control Units communicate with the sensor directly via a serial interface. The ESI provides access to device information, energy consumption, and digital lighting control.

Localized Lighting Control:

Light-level schedules, preferences, and behavior profiles for each fixture are wirelessly communicated during system setup and locally stored to ensure continuous operation.

Driver Compatibility:

Dimming and on/off control signaling for standard 0-10V ballasts and drivers in LED and fluorescent light fixtures.

Standards-Based Networking and Security:

The Enlighted 802.15.4 wireless network with AES-128 encryption delivers secure, reliable communication that coexists with Wi-Fi networks by sensing low-traffic channels and transmitting in bursts.

Mounting

The Enlighted Micro Sensor is designed to be easily mounted into lighting fixtures or ceiling tiles such that only the discreet white faceplate is visible. The sensor slides into a carrier sleeve fitting a standard 1/2 inch trade size knockout or 7/8 inch (22 mm) hole. Carrier sleeves compatible with either lighting fixtures or ceiling tiles are available. Sensor replacement requires no tools—simply slide the sensor out of the carrier, unplug the connector, and install the new sensor.

Occupancy and Thermal Sensing:

A digital Passive Infrared (PIR) sensor combined with separate ambient and temperature sensing support precise motion identification while minimizing false detection events.

IoT Sensing Node:

When configured as an IoT Node, the sensor streams comprehensive live data for use with Enlighted's real-time location and analytics software applications. This option is available directly from the factory or as a remote upgrade.

Daylight Harvesting:

Captured ambient light information is locally processed to raise and lower light levels based on available daylight.

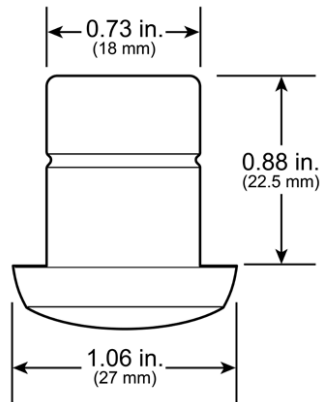
Edge Sensing:

Local processing capability supports advanced sensing and detection algorithms, providing optimization of existing features and enabling future applications.

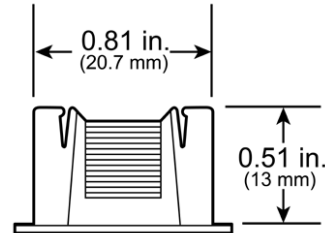
Room and Zone Control:

Pairs with room control switches for code-compliant manual-on or auto-off capability. Sensors can be grouped into zones that share occupancy sensing data and coordinate light control based on detected motion.

Micro Sensor



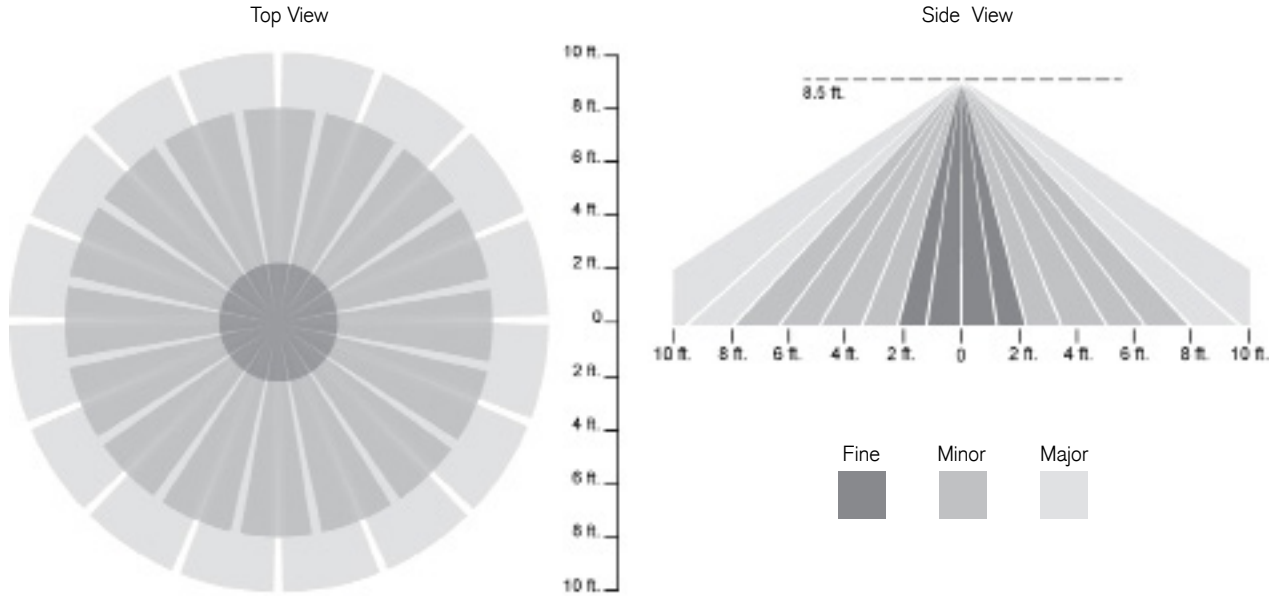
Carrier



Sensor Coverage Patterns

The Enlighted Micro Sensor incorporates an optical Fresnel lens that works with the digital Passive Infrared (PIR) sensor to detect occupancy and motion. The multifaceted lens focuses light onto the PIR to produce an all-encompassing field of view through aggregation of many narrow fields of view. When the Micro Sensor is deployed as recommended, the area covered by each sensor overlaps, reinforcing coverage and accuracy across the entire floor plan.

Ceiling Height	Fine Motion (Radius)	Minor Motion (Radius)	Major Motion (Radius)
8.5 ft/2.6 m	2.3 ft/0.7 m	8 ft/2.4 m	10 ft/3.0 m
15 ft/4.6 m	4.0 ft/1.2 m	10 ft/3.0 m	18 ft/5.5 m



Technical Specifications

Motion Sensing:	Digital Passive IR
Photosensor:	Light Pipe/Photosensor Array
Enclosure:	ABS/Polycarbonate blend
Type:	Closed Loop Light Sensor
Operating Temp:	32° to 122° F / 0° to 50° C
Radio Frequency:	2400–2483.5 MHz
Wireless Protocol:	IEEE 802.15.4
Wireless Range:	150 ft. (46 m) radius open range
Encryption:	AES-128
Bluetooth 4.0 Low Energy (BLE)	
Operating Frequency:	2400–2483.5 MHz
IEEE Standard:	802.15.1

Ordering Information

SU-5E-IoT	IoT Sensor
SU-5E-CL	Connected Lighting Sensor
SU-CL-IoT-UPG	Connected Lighting to IoT Sensor Upgrade
TMC-SU-5E	Tile Mount Carrier
CPL-RJ45	Female RJ45 Coupler
CBL-5E-CU4-30N	30 inch Sensor Cable for CU-4 and IoT Ready™ drivers
CBL-5E-CU4-7F	7 foot Sensor Cable for CU-4 and IoT Ready™ drivers

Compliance

Europe	CE RoHS REACH
United States	FC
Canada	

Warranty: 5 years

View www.enlightedinc.com/limited-warranty-terms for complete terms and conditions