



COMPASS

Designed to provide superior brightness and uniform light distribution, our Compass High Bay fixtures are engineered to elevate productivity and safety in both industrial and commercial environments. Utilizing energy-efficient LED technology, they ensure prolonged performance while substantially cutting operational expenses. Featuring an IP65 rating, these fixtures are suitable for both outdoor and indoor installations.

Ideal for commercial and industrial settings, these fixtures excel across a spectrum of applications including malls, warehouses, factories, retail stores, athletic facilities, workshops, airports, and expansive areas.

WATTAGE RANGE

85W-240W

LUMENS PER WATT

145

LOCATION RATING

WET

DIMMING

0-10V

WARRANTY

5 YEARS

FEATURES & SPECIFICATIONS

ELECTRICAL

- Choose from a range of wattage options: 85W, 120W, 150W, 190W, or 240W
- Input voltage of 120-277V or 277-480V
- Built-in 6kV surge protection

OPTICS

- CCT options: 3500K, 4000K or 5000K
- Standard 90° x 90° beam angle
- CRI of >80 for accurate color rendering

ENVIRONMENT

- Operating temperature of -40°F to 122°F
- IP65 rating
- IK10 impact rating

CONSTRUCTION

- Aluminum die cast housing
- PC optical lens
- Standard finishes: Black and White. Custom colors available upon request, contact sales representative.
- Enhance light distribution with optional acrylic and aluminum reflectors

INSTALLATION

- Equipped with an easy-to-use hook for hassle-free installation
- Optional adjustable brackets and pendant mounts are available

CONTROLS

- Integrated Sensor Option (ISO)

COMPASS

ORDERING INFORMATION

HCO1						
1	2	3	4	5	6	7

1. SERIES	2. VOLTAGE	3. FINISH	4. CHASSIS	5. LUMENS	6. CCT	7. DISTRIBUTION
HCO1 Compass High Bay	U 120-277V	K Black	A Dia. 10.2"	12 12325 (85W)	35 3500K	G Standard, 90° x 90°
	H 277-480V	W White	B Dia. 13.4"	17 17400 (120W)	40 4000K	N Narrow, 60° x 60°
		C Custom color code provided on item number later ¹		21 21750 (150W)	50 5000K	
				27 27550 (190W)		
				34 34800 (240W)		

¹ Consult with sales representative for MOQ and lead time on custom finishes.

ACCESSORIES (Sold Separately)

SENSOR

54871	PIR Bi-Level Motion & Daylight
54872	Microwave Bi-Level Motion & Daylight
RC-100	Remote for Programmable Sensors



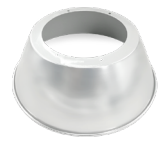
HCO-YM



HCO-PM



HCO-PCSR



HCO-ASR

MOUNTING

HCO-PM-K	Pendant Mount, Black
HCO-PM-W	Pendant Mount, White
HCO-YM-K	Adjustable Bracket, Black
HCO-YM-W	Adjustable Bracket, White

REFLECTOR

HCO-PCSRA	16" Acrylic Reflector, Chassis A
HCO-PCSRB	16" Acrylic Reflector, Chassis B
HCO-ASRA	16" Aluminum Reflector, Chassis A
HCO-ASRB	16" Aluminum Reflector, Chassis B



54871



54872



RC-100



55695

EMERGENCY

55695	40W Emergency Battery
-------	-----------------------

REPLACEMENT PARTS (Sold Separately)

DRIVER

HCO1-U-A	SIG150-I0615-SS
HCO1-U-B	SIG240-I1000-SS
HCO1-H-B	SIG240-277-480

Project: _____

Catalog #: _____

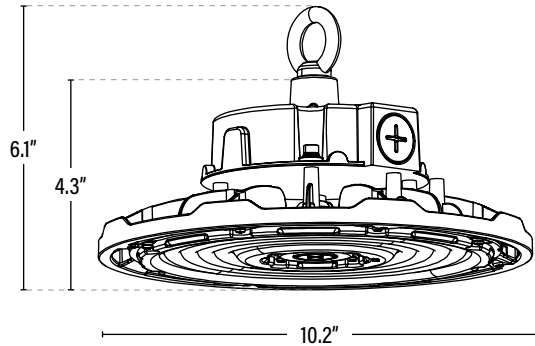
Quantity: _____ Date: _____

PERFORMANCE DATA

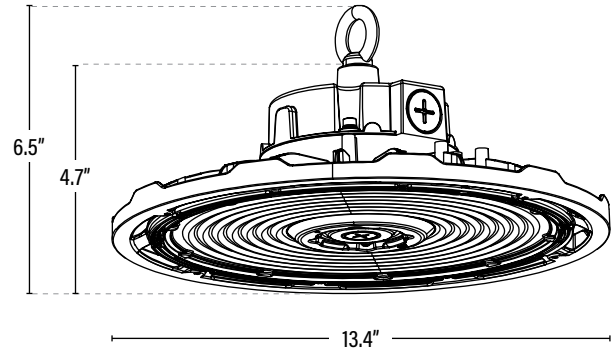
ELECTRICAL					
Wattage	85W	120W	150W	190W	240W
Current @ 120V	0.70A	1A	1.25A	1.58A	2A
Current @ 277V	0.30A	0.43A	0.54A	0.68A	0.86A
Current @ 480V	0.17A	0.25A	0.31A	0.39A	0.5A
Power Factor	0.9				
Total Harmonic Distortion (THD)	20				
OPTICAL					
Lumens	12325	17400	21750	27550	34800
Lumens Per Watt	145				
Color Temperature (CCT)	3500K / 4000K / 5000K				
Color Rendering (CRI)	80				
Beam Angle	Standard 90° x 90°, Optional 60° x 60°				
Light Distribution	Type VS				
BUG Rating (Backlight, Uplight, and Glare)	--	--	--	--	--
Dimming	From optional 12VDC sensor, or customer 0-10V controls.				
ENVIRONMENT					
Operating Temperature	-40°F ~ 122°F				
Suitable Location	Wet				
IP Rating	IP65				
CONSTRUCTION					
LED Chip	--				
Driver 120-277V	SIG150-I0615-SS			SIG240-I1000-SS	
Driver 277-480V	--			SIG240-277-480	
Sensor Socket	12VDC AUX				
Housing	Aluminum Die Cast				
Lens	PC				
Finish	Standard Black or White				
LISTINGS					
Model Number	HC01-[U,H]-[K,W,C]-[85W, 120W, 150W, 190W, 240W]-[35K, 40K, 50K]				
Qualifications	Pending				
WARRANTY					
Years	Standard 5 Years, 10 Years Optional				
<i>Published lumens on LED products are approximate and may vary slightly. • Full warranty terms can be found on our website.</i>					

DIMENSIONS

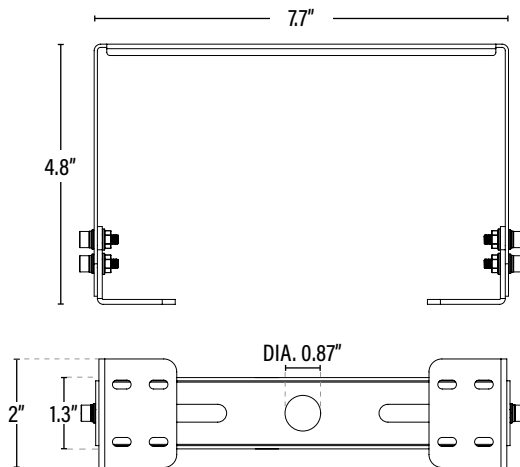
CHASSIS
A



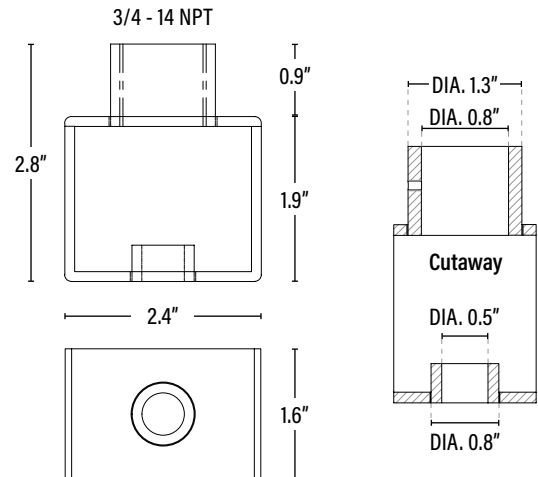
CHASSIS
B



ADJUSTABLE
BRACKET



PENDANT
MOUNT



SHIPPING INFORMATION

PACKAGING	WATTAGE				
	85W	120W	150W	190W	240W
Master Case					
Quantity		1		1	
Size (LxWxH)		10.8" x 10.7" x 5.4"		14" x 13.9" x 5.6"	
Gross Weight (Lbs)		--		--	
COO: China - Tariff: N/A					