

# LINEAR LED HIGH BAY - HLM1

## INSTALLATION INSTRUCTIONS

**PLEASE FIND A QUALIFIED ELECTRICIAN FOR INSTALLATION.** Read the instructions before installing or use of the luminaire.

### WARNING, CAUTIONS AND OPERATING INSTRUCTIONS

- To reduce the risk of death, personal injury or property damage from fire, electric shock, falling parts, cuts/abrasions, and other hazards read all warnings and instructions included with and on the fixture box and all fixture labels.
- Before installing, servicing, or performing routine maintenance upon this equipment, follow these general precautions.
- Commercial installation, service and maintenance of luminaires should be performed by a qualified licensed electrician.
- For the installation: If you are unsure about the installation or maintenance of the luminaires, consult a qualified licensed electrician and check your local electrical code.
- To prevent wiring damage or abrasion, do not expose wiring to edges of sheet metal or other sharp objects.
- Do not make or alter any open holes in an enclosure of wiring or electrical components during kit installation.

### WARNING: RISK OF FIRE OR ELECTRICAL SHOCK

- Turn off electrical power at fuse or circuit breaker box before wiring fixture to the power supply.
- Turn off the power when you perform any maintenance.
- Verify that supply voltage is correct by comparing it with the luminaire label information.
- Make all electrical and grounded connections in accordance with the National Electrical Code and any applicable local code requirements.
- All wiring connections should be capped with UL approved wire connectors.

### CAUTION: RISK OF INJURY

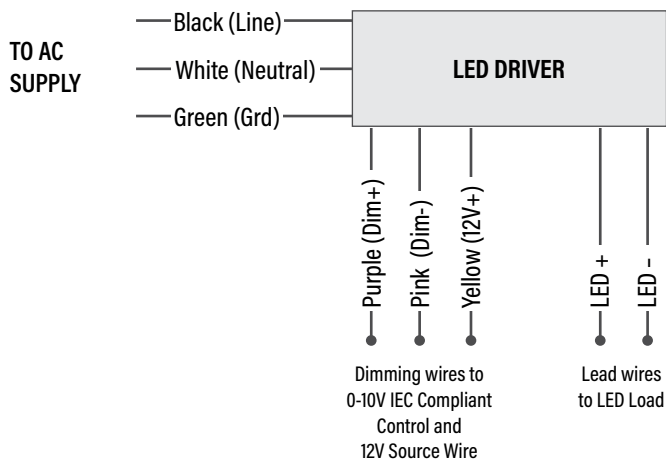
- Avoid direct eye exposure to the light source while it is on.
- Account for small parts and destroy packing material, as these may be hazardous to children.
- Green ground screw is provided in the proper location. DO NOT RELOCATE.
- Minimum 90° supply conductors.
- Suitable for Dry or Damp locations.
- Operating Temperature: -40°F to 122°F

## GENERAL INFORMATION



**WARNING DISCONNECT POWER BEFORE INSTALLING OR SERVICING.**

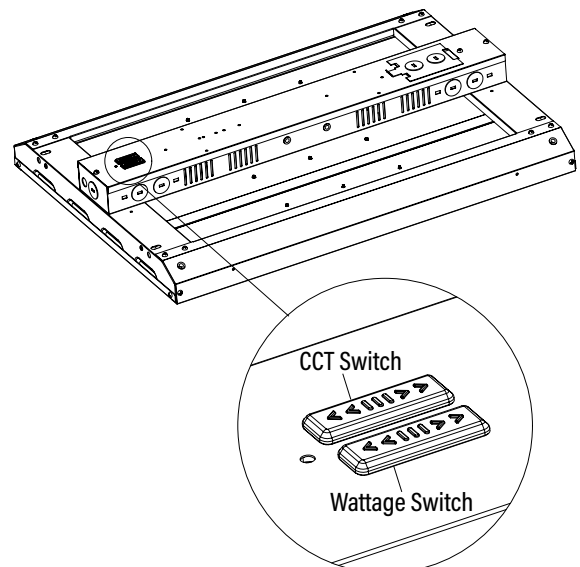
### WIRING DIAGRAM



*If not connecting to an external 0-10V dimmer circuit, make sure fixture's 0-10V pink and purple leads are capped off separately. Failure to do so may cause fixture to perform incorrectly, and void warranty.*

### FIELD SELECTABLE WATTAGE & CCT

Users can adjust color temperature and lumen output via two slide switches on the driver box. The wattage switch provides 3 output levels, and the CCT switch has 2 settings (4000K and 5000K).



# LINEAR LED HIGH BAY - HLM1

## INSTALLATION INSTRUCTIONS

**PQL**  
PREMIUM QUALITY LIGHTING®

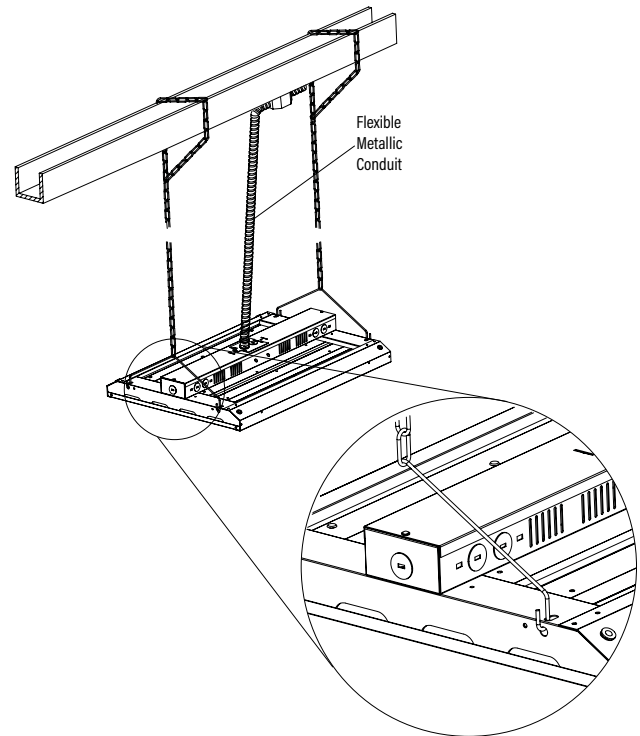
### INSTALLATION



**WARNING DISCONNECT POWER  
BEFORE INSTALLING OR SERVICING.**

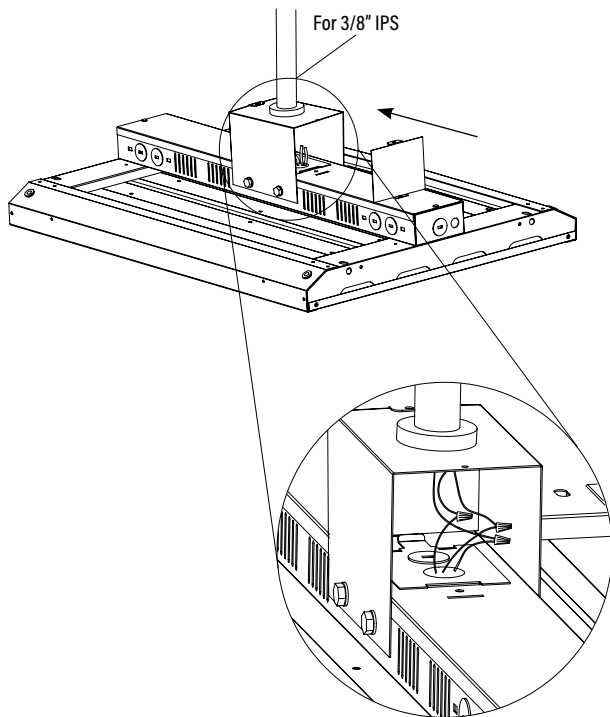
#### STANDARD CHAIN MOUNT

1. Remove the new LED fixture from packaging and inspect for any damages. Handle new LED fixture with care.
2. Install the chain into the provided wire hanger. Secure the other end of the chain to a structure using hardware rated for the load. Install the wire hanger on the side of the top LED channel. Make sure the wiring hangers are fully engaged into the side holes on the top channel.
3. Connect the LED high bay wiring to line voltage wire, black to live, white to neutral and green to ground. Use only UL listed wiring **\*\*NOTE: Purple and pink wires inside the driver compartment are 0-10V (low voltage) dimming leads. Connect to dimming low voltage wiring only. If not connecting fixture to a 0-10V dimming circuit, make sure fixture dimmer leads are capped off separately from each other. Failure to do so could cause improper fixture operation and void warranty.**
4. Clean all residues/fingerprints from the new LED high bay and lens. Double check all hanging hardware before moving onto the next installation.



#### ADDITIONAL MOUNTING OPTIONS *(Sold separately)*

#### PENDENT MOUNT



#### CABLE MOUNT

