



INDUSTRIAL HIGH BAY FIXTURES

FEATURES

Energy efficient alternative to traditional HID lighting

Ballast Access

Knockouts for mounting and electrical

Sensor Installation Access

Knockouts for easy installation of occupancy sensors

• CONSTRUCTION

- 22 gauge prime cold-rolled steel housing

• FINISH

- White powder coat, 86% minimum average reflective

• OPTICS

- Designed to optimize lamp performance and light output.

• REFLECTOR

- White (Mirror finish available upon request)

• ELECTRONICS

- Ballasts are Class "P" and are secured by mounting bolts.
- Suitable for damp location use.

• MOUNTING

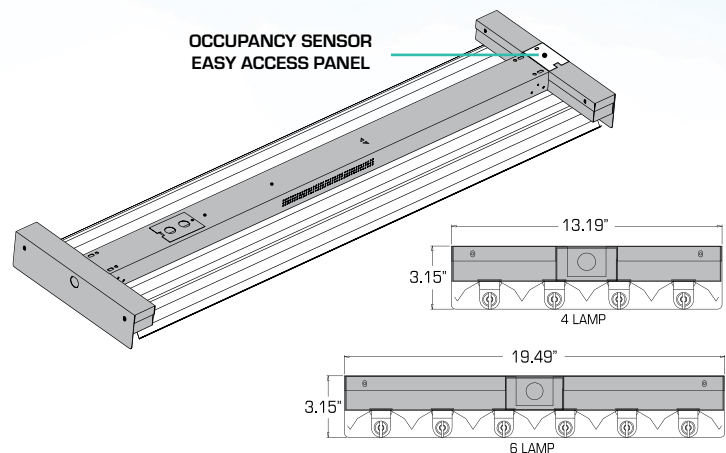
- Product is ideal for surface and suspension mounting
- V-Hooks included.

IHB

Available Configurations:

4 OR 6 T5 LAMPS

4/F32T8 fixture is available by request.



ITEM#	DESCRIPTION	NO. OF LAMPS	TYPE OF LAMPS	VOLT	CASE
54920	INDUSTRIAL HIGH BAY WHITE/WHITE 4/F54 120-277V W/V-HOOKS	4	F54T5	120-277V	2
54925	INDUSTRIAL HIGH BAY WHITE/WHITE 6/F54 120-277V W/V-HOOKS • SL	6	F54T5	120-277V	1

Key: G - GE / OS - Sylvania / SL - Superior Life® / F - Fulham / N - No Ballast

CEE Approved Ballast for T8 Lamps



PREMIUM QUALITY LIGHTING® • www.PQLighting.com

© 2018 P.Q.L., Inc. • 2285 Ward Avenue • Simi Valley, Ca 93065 • 800.323.8107 • Fax: 877.619.7053



GO GREEN