

# LINEAR ARCHITECTURAL - LA2

## INSTALLATION INSTRUCTIONS



**PLEASE USE A QUALIFIED ELECTRICIAN FOR INSTALLATION.** Read the instructions before installing or use of the luminaire.

### WARNING, CAUTIONS AND OPERATING INSTRUCTIONS

- To reduce the risk of death, personal injury or property damage from fire, electric shock, falling parts, cuts/abrasions, and other hazards read all warnings and instructions included with and on the fixture box and all fixture labels.
- Before installing, servicing, or performing routine maintenance upon this equipment, follow these general precautions.
- Commercial installation, service and maintenance of luminaires should be performed by a qualified licensed electrician.
- For the installation: If you are unsure about the installation or maintenance of the luminaires, consult a qualified licensed electrician and check your local electrical code.
- To prevent wiring damage or abrasion, do not expose wiring to edges of sheet metal or other sharp objects.
- Do not make or alter any open holes in an enclosure of wiring or electrical components during kit installation.

### WARNING: RISK OF FIRE OR ELECTRICAL SHOCK

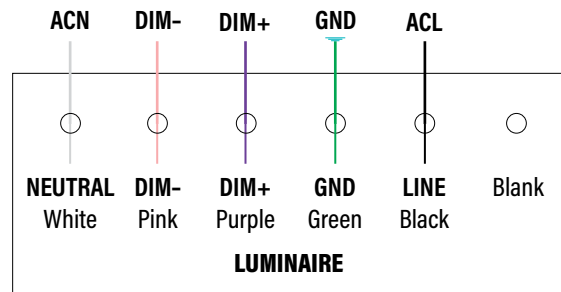
- Turn off electrical power at fuse or circuit breaker box before wiring fixture to the power supply.
- Turn off the power when you perform any maintenance.
- Verify that supply voltage is correct by comparing it with the luminaire label information.
- Make all electrical and grounded connections in accordance with the National Electrical Code and any applicable local code requirements.
- All wiring connections should be capped with UL approved wire connectors.

### CAUTION: RISK OF INJURY

- Avoid direct eye exposure to the light source while it is on.
- Account for small parts and destroy packing material, as these may be hazardous to children.
- Green ground screw is provided in the proper location. DO NOT RELOCATE.
- Minimum 90°C supply conductors.
- Suitable for Dry or Damp locations.
- Ambient Operating Temperature Range: -4°F ~ 122°F Suspended >18" from ceiling or -4°F ~ 104°F Suspended ≤18" or surface-mounted.

### GENERAL WIRING DIAGRAM - Cord/Supply Wiring

**CAUTION:** Connect wires only to their matching colors.



*If not connecting to an external 0-10V dimmer circuit, make sure fixture's 0-10V purple and pink leads are capped off separately. Failure to do so may cause fixture to perform incorrectly, and void warranty.*

## FIELD SELECTABLE WATTAGE, CCT & DISTRIBUTION



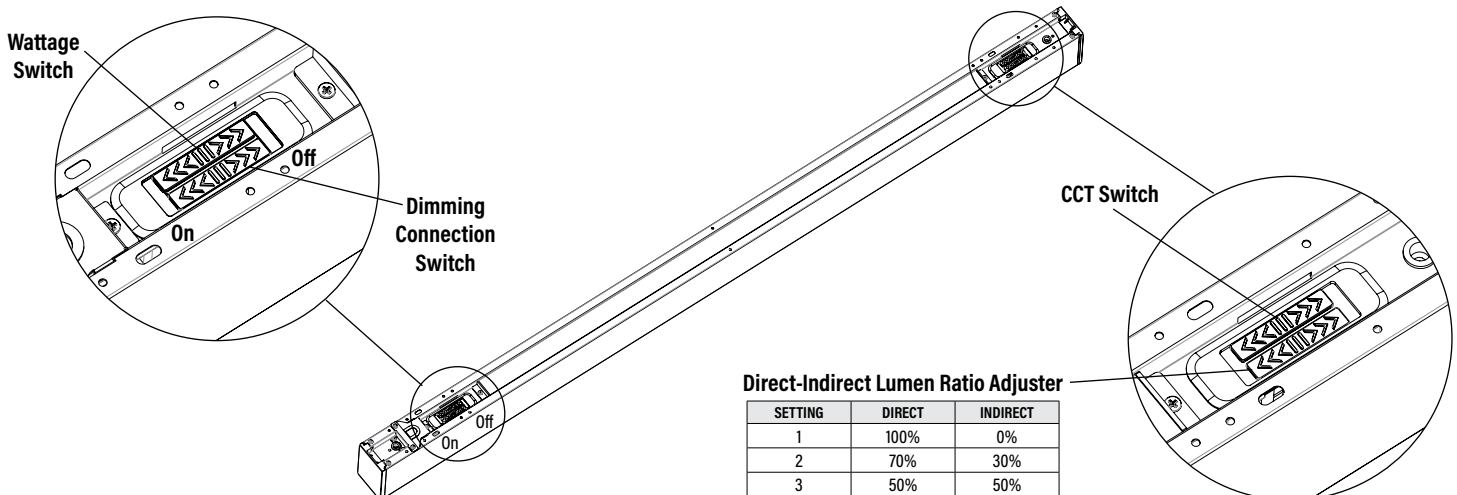
**WARNING DISCONNECT POWER BEFORE INSTALLING OR SERVICING.**

End users can fine-tune their lighting environment using the dedicated DIP switches shown in the diagram. These switches provide precise control over three key lighting parameters:

- Wattage Switch:** Select from four power levels to adjust overall lumen brightness.
- CCT Switch:** Choose from five color temperature options to set the desired ambiance.
- Direct-to-Indirect Lumen Ratio Switch:** Three settings allow users to balance light distribution, from more direct illumination to a softer, more indirect effect.

Together, these adjustments enable a fully customized lighting solution tailored to specific needs for color, brightness, and light distribution.

In addition, a **Dimming Connection Switch** allows selective connection or isolation of adjacent fixture driver dimming wires, supporting proper interoperability across linked lighting systems. For example, it enables a sensor to control one or multiple fixtures through parallel-connected dimming wires. When the DIP switch is set to OFF, the dimming wire contractor at the fixture end opposite the dimming connection switch is disconnected.



# LINEAR ARCHITECTURAL - LA2

## INSTALLATION INSTRUCTIONS

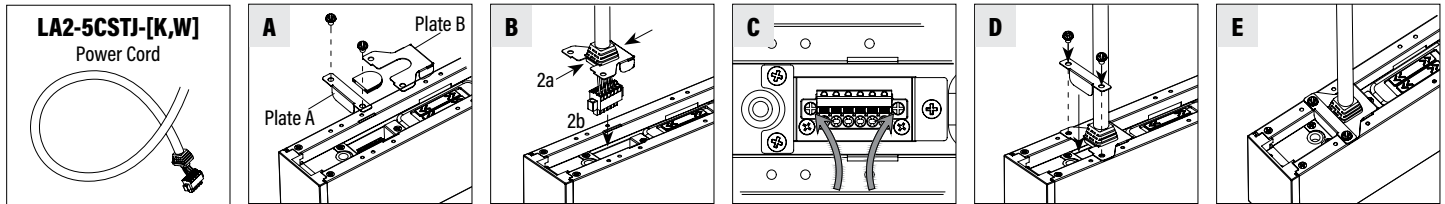
**PQL**  
PREMIUM QUALITY LIGHTING®

### POWER CORD INSTALLATION *(Ordered separately)*



**WARNING DISCONNECT POWER BEFORE INSTALLING OR SERVICING.**

1. Remove Wiring Plates A and B (Fig. A).
- 2a. Snap the power cord sheath onto Plate B.
- 2b. Connect the male plug on the power cord to the female socket inside the fixture (Fig. B).
3. Tighten the two lock screws on the male plug using a flat-head screwdriver (Fig. C).
4. Reattach Plates A and B to the fixture body (Fig. D).
5. Power cord installation is complete (Fig. E).



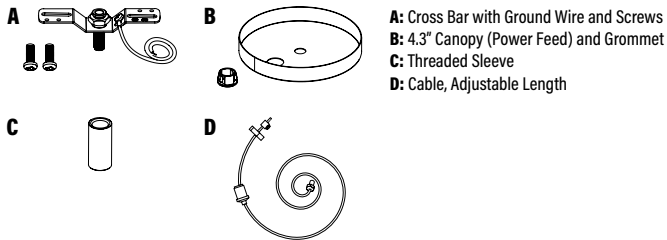
### SUSPENDED AIRCRAFT CABLE *(Kits ordered separately)*



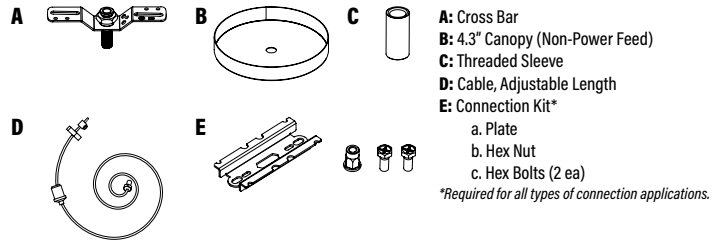
**WARNING DISCONNECT POWER BEFORE INSTALLING OR SERVICING.**

#### POWER FEED KIT - LA2-CCR-[K,W]

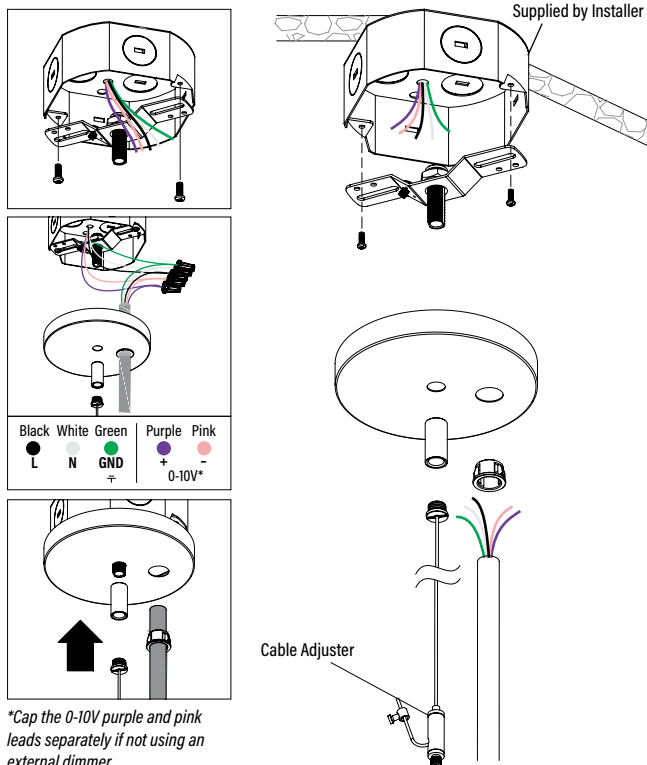
*Power Cord required (Ordered separately)*



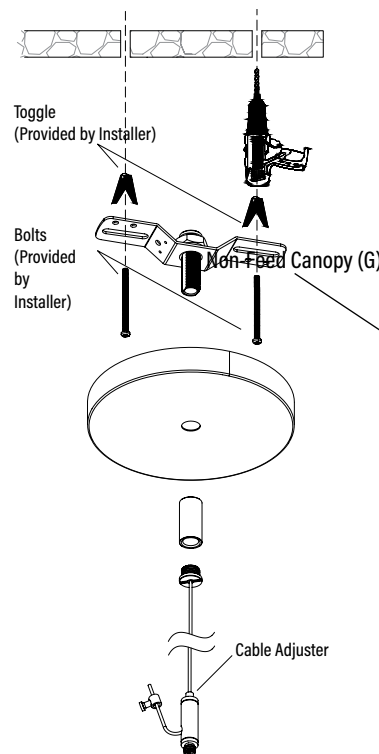
#### NON-FEED KIT - LA2-ACK-[K,W]



#### POWER FEED END

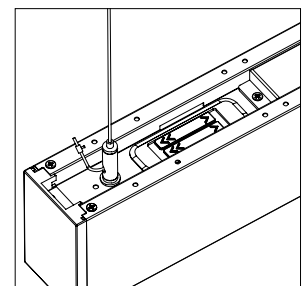


#### NON-FEED END

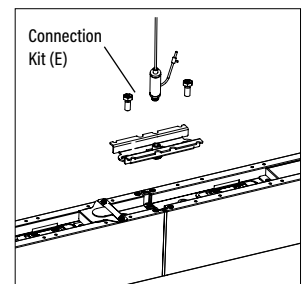


#### HANGING FIXTURE

Single fixture or lead fixture in a continuous run.



Fixture following the lead in a continuous run.



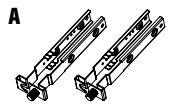
# LINEAR ARCHITECTURAL - LA2

## INSTALLATION INSTRUCTIONS

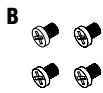
### SUSPENDED T-GRID KIT (Ordered separately)

**WARNING DISCONNECT POWER BEFORE INSTALLING OR SERVICING.**

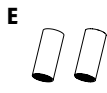
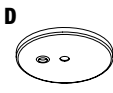
#### LA2-TGK-[K,W]



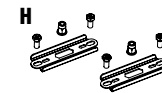
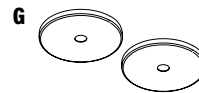
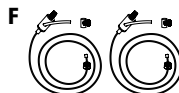
**A:** T-Grid Clips (2 ea.)  
**B:** Clip Screws (4 ea.)



**C:** Bushing  
**D:** Power Feed Canopy



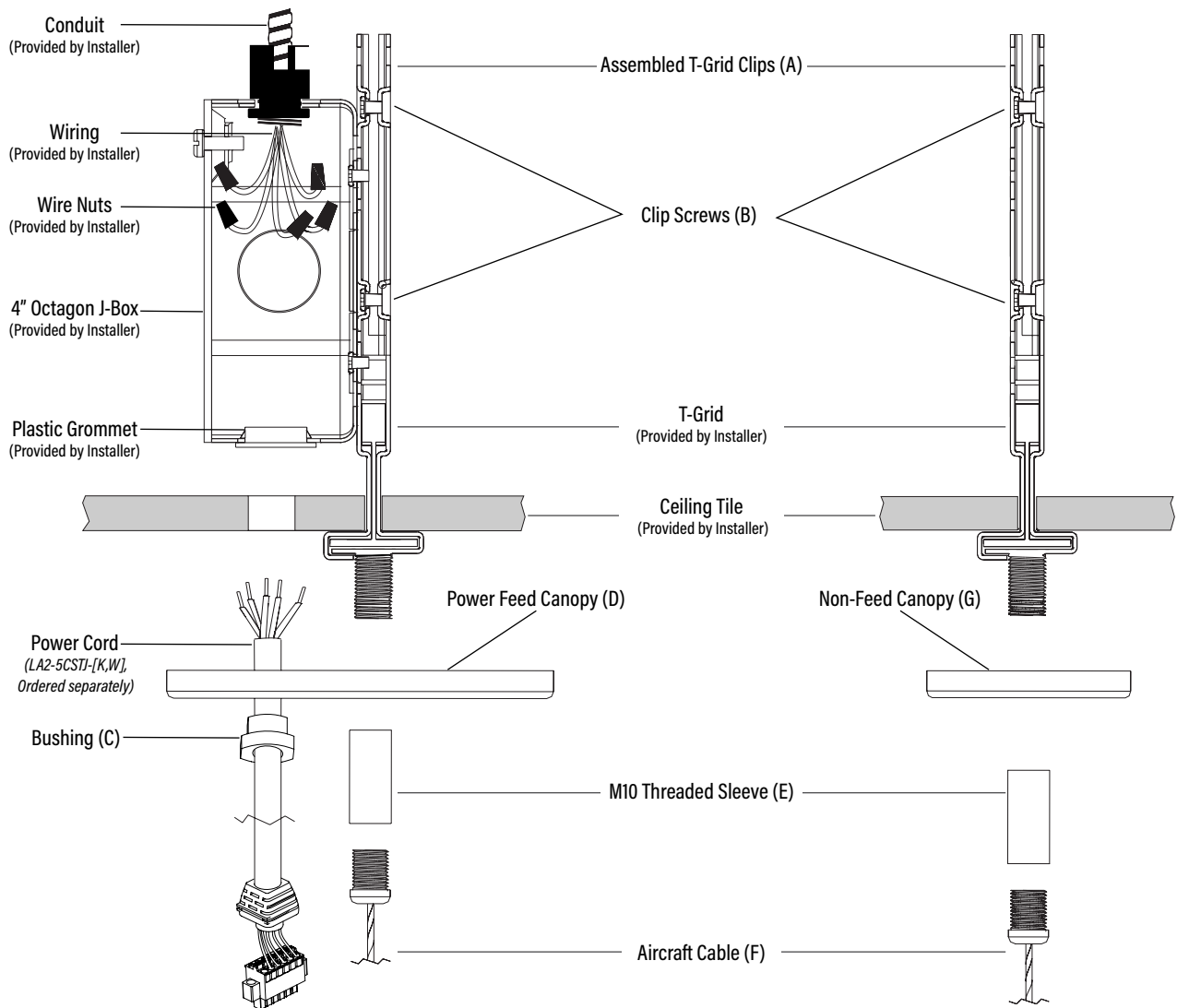
**E:** M10 Threaded Sleeves (2 ea.)  
**F:** Cable (2 ea.)



**G:** Non-Power Canopy (2 ea.)  
**H:** Connection Plate (2 ea.)

#### POWER FEED END

#### NON-FEED END





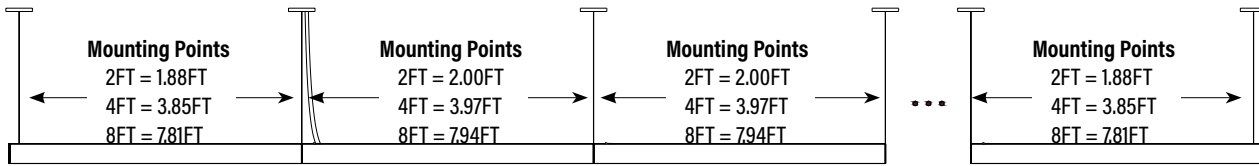
# LINEAR ARCHITECTURAL - LA2

## INSTALLATION INSTRUCTIONS

### CUT-TO-LENGTH LENS (LA2-LN-xx, Ordered separately)

**WARNING** DISCONNECT POWER BEFORE INSTALLING OR SERVICING.

**5** Cut the soft lens to the appropriate length (refer to the Diffuser Length Table) and install it into the fixture housing channel for a seamless, continuous run.

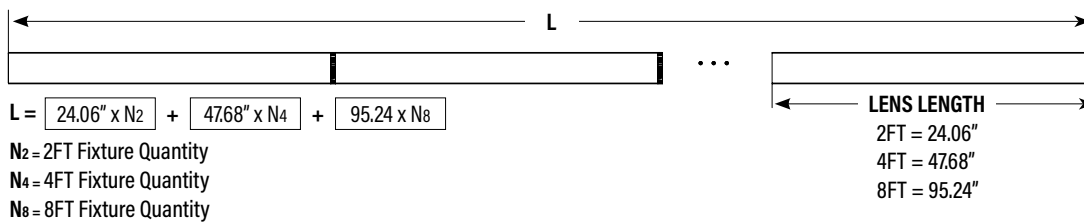


Each Power Feed: Max. recommended connected load is ≤500W at 120V or ≤1000W at 277V.

Soft, DIY-cut diffuser (49.2' per roll, sold separately)



**Diffuser Length Calculator** for a seamless, continuous run (line connection)

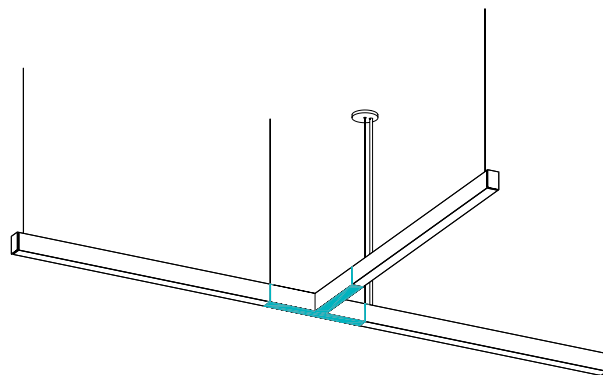
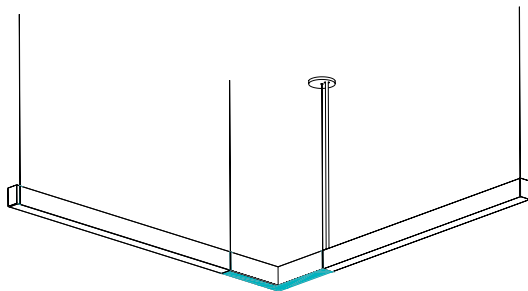


### MULTIPLE CONNECTION METHODS (Connectors ordered separately)

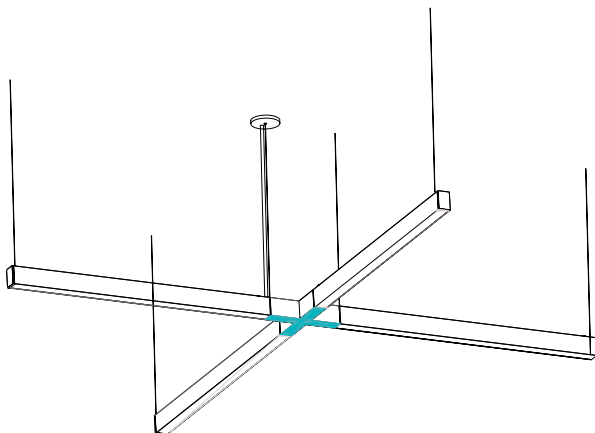
**WARNING** DISCONNECT POWER BEFORE INSTALLING OR SERVICING.

#### L-CONNECTOR • LA2-LSC-[K,W]

#### T-CONNECTOR • LA2-TSC-[K,W]



#### X-CONNECTOR • LA2-XSC-[K,W]



MAX. NUMBER* OF EACH POWER FEED		
SIZE/POWER	120V	277V
2FT/20W	24 pcs	48 pcs
4FT/40W	12 pcs	24 pcs
8FT/80W	6 pcs	12 pcs

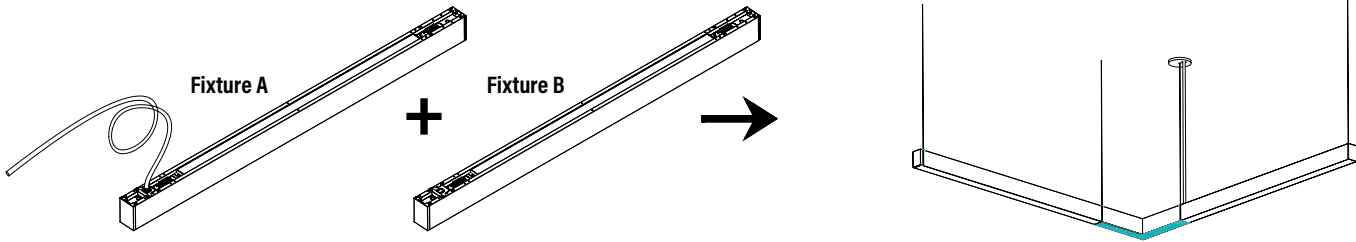
\*Total connected load (including connectors) ≤500W at 120V or ≤1000W at 277V.

# LINEAR ARCHITECTURAL - LA2

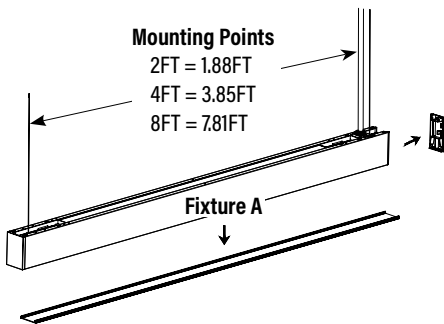
## INSTALLATION INSTRUCTIONS

### L-SHAPE CONNECTOR

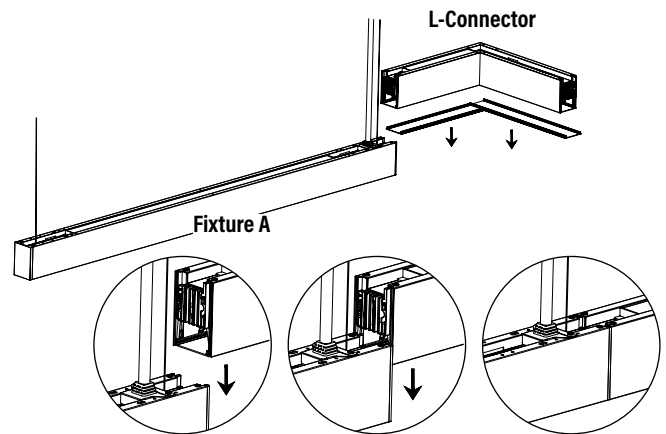
**! WARNING DISCONNECT POWER BEFORE INSTALLING OR SERVICING.**



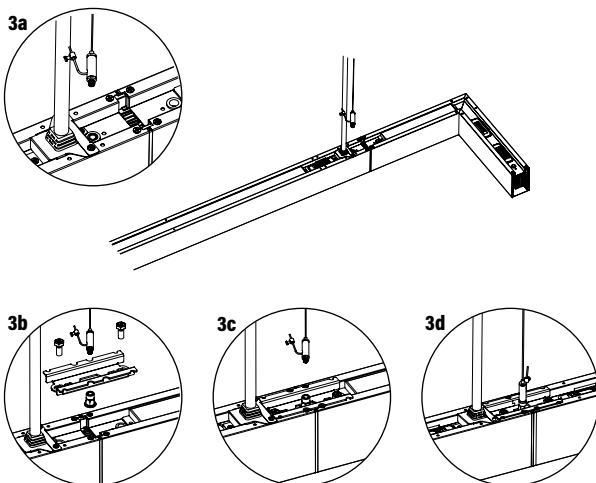
- 1** After positioning, hang Fixture A from the ceiling. Remove the end cap and diffuser.



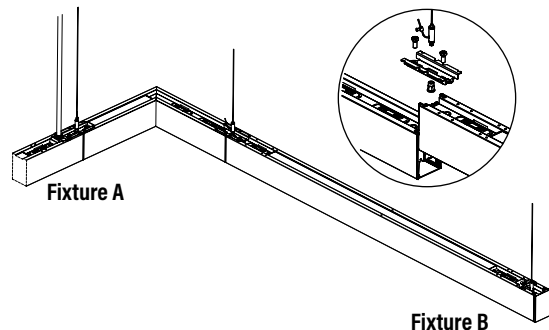
- 2** **WARNING:** Do not connect the fixture to the AC power supply during the press-lock operation. Remove the connector lens, then press and lock the "L" connector onto Fixture A. Ensure the connector housing aligns with the fixture housing.



- 3** Remove the hexagon head bolt from Fixture A (Fig. 3a). Attach the connection plate to Fixture A and the "L" connector (Fig. 3b). Hang the assembled section using the bolt removed earlier and adjust to the desired height. (Fig. 3c & 3d)



- 4** **WARNING:** Do not connect the fixture to the AC power supply during the press-lock operation. After positioning, securely hang one end of Fixture B from the ceiling. Remove the end cap and diffuser. Press and lock Fixture B onto the "L" connector. Ensure the housing of Fixture B aligns with the connector housing. Attach the connection plate to Fixture B and the "L" connector. Hang the assembled section and adjust to the desired height.



# LINEAR ARCHITECTURAL - LA2

## INSTALLATION INSTRUCTIONS

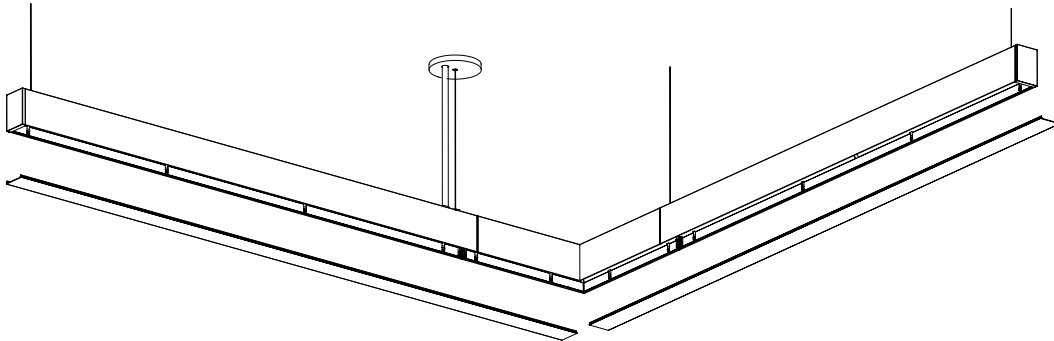
**PQL**  
PREMIUM QUALITY LIGHTING®

### L-SHAPE CONNECTOR



**WARNING DISCONNECT POWER BEFORE INSTALLING OR SERVICING.**

- 4 Reattach the lenses to the fixtures and the "L" connector.



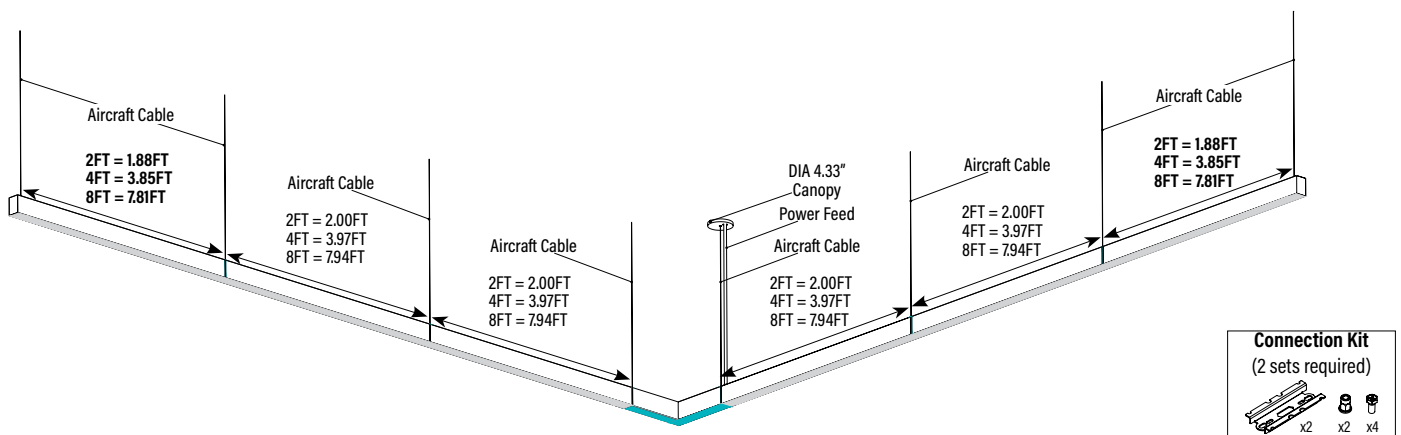
### CONTINUOUS RUN SHAPES *(Connectors ordered separately)*



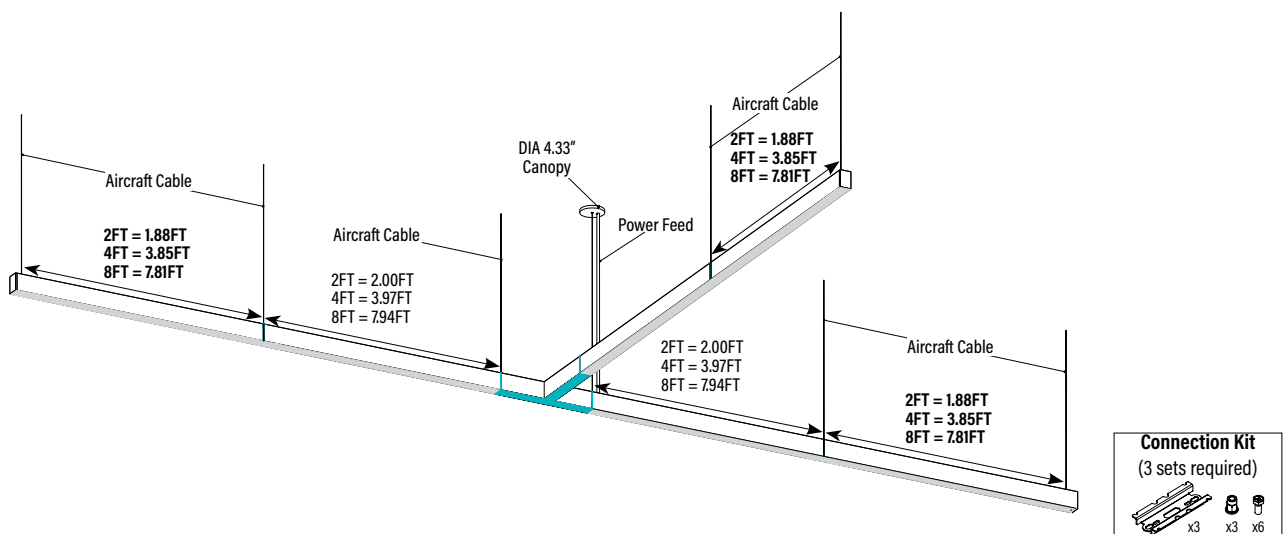
**WARNING DISCONNECT POWER BEFORE INSTALLING OR SERVICING.**

#### L-CONNECTOR - LA2-LSC-[K,W]

**WARNING:** Do not connect the fixture to the AC power supply during the press-lock operation.



#### T-CONNECTOR - LA2-TSC-[K,W]



# LINEAR ARCHITECTURAL - LA2

## INSTALLATION INSTRUCTIONS

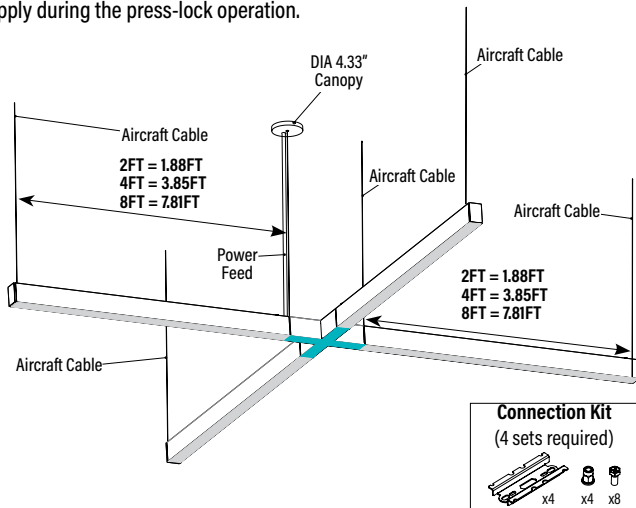


### CONTINUOUS RUN SHAPES *(Connectors ordered separately)*

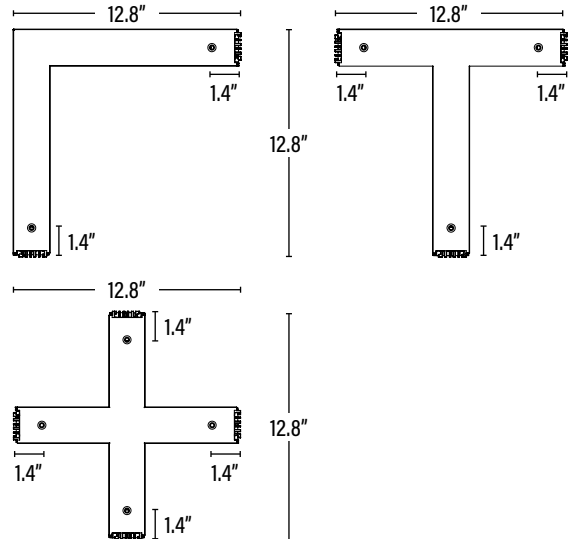
**WARNING** DISCONNECT POWER BEFORE INSTALLING OR SERVICING.

#### X-CONNECTOR - LA2-XSC-[K,W]

**WARNING:** Do not connect the fixture to the AC power supply during the press-lock operation.



#### CONNECTOR DIMENSIONS

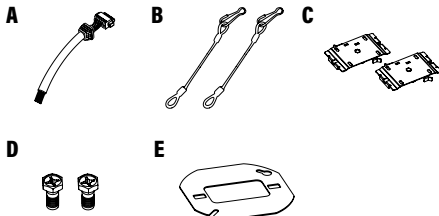


### SURFACE MOUNT *(Ordered separately)*

**WARNING** DISCONNECT POWER BEFORE INSTALLING OR SERVICING.

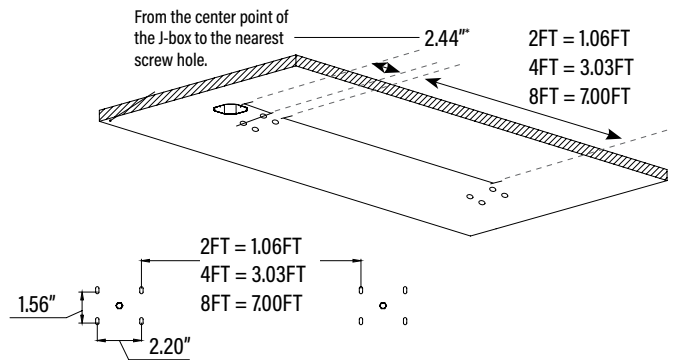
#### LA2-SWMK-[K,W]

**1** Connect the provided short power cord to the fixture before installation.

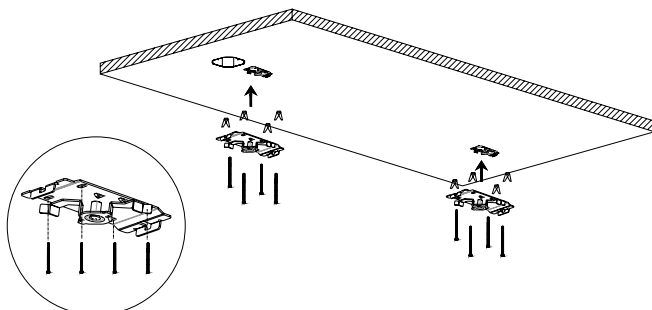


**A:** Short Power Cord  
**B:** Safety Cable (2 ea.)  
**C:** Mounting Brackets (2 ea.)  
**D:** Hexagon Head Bolts (2 ea.)  
**E:** J-Box Cover (2 ea.)

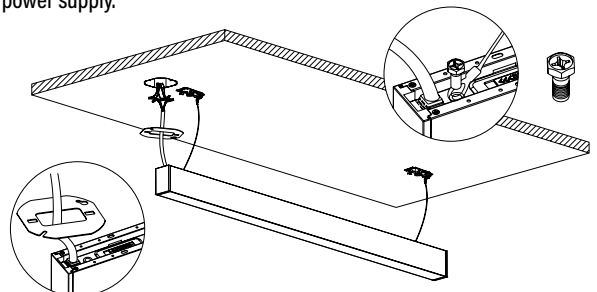
**2** Use the junction box as a reference point. Position the brackets and drill holes in the ceiling using the brackets as a guide.



**3** Secure the brackets to the ceiling with installer-provided toggle bolts.



**4** Attach the safety cables to the back of the fixture using the hexagon head bolt. Hang the safety cables onto the brackets. Pass the power cord through the provided J-box cover plate and connect the wiring to the main power supply.



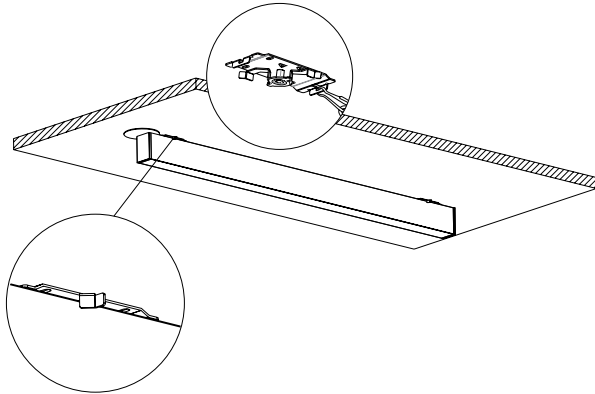
# LINEAR ARCHITECTURAL - LA2

## INSTALLATION INSTRUCTIONS

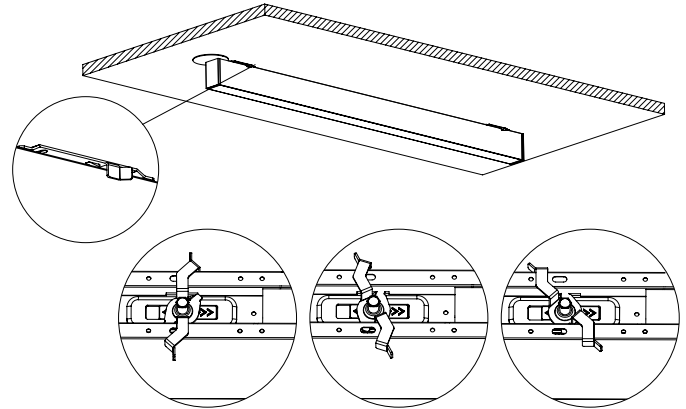
### SURFACE MOUNT (LA2-SWMK-[K,W], Ordered separately)

**⚠ WARNING DISCONNECT POWER BEFORE INSTALLING OR SERVICING.**

- 5** Attach the fixture to the brackets as shown, then toggle and lock the latch on each bracket.



- 6** Make sure the fixture is securely mounted to the ceiling. Clean off any fingerprints or stains.

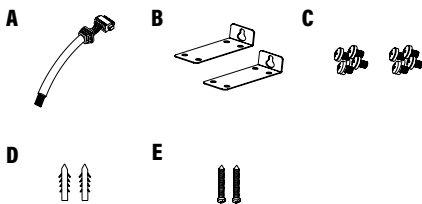


### WALL MOUNT (Ordered separately)

**⚠ WARNING DISCONNECT POWER BEFORE INSTALLING OR SERVICING.**

#### LA2-SWMK-[K,W]

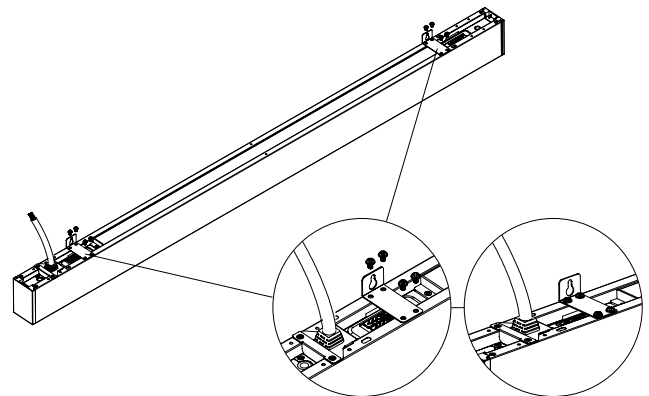
- 1** Connect the provided short power cord to the fixture before installation.



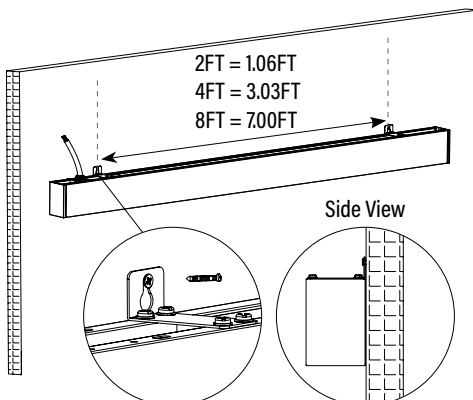
**A:** Short Power Cord  
**B:** Mounting Brackets  
(2FT/4FT 2 ea. - 8FT 3 ea.)

**C:** Screw A (2FT/4FT 8 ea. - 8FT 12 ea.)  
**D:** Anchors (2FT/4FT 2 ea. - 8FT 3 ea.)  
**E:** Screw B (2FT/4FT 2 ea. - 8FT 3 ea.)

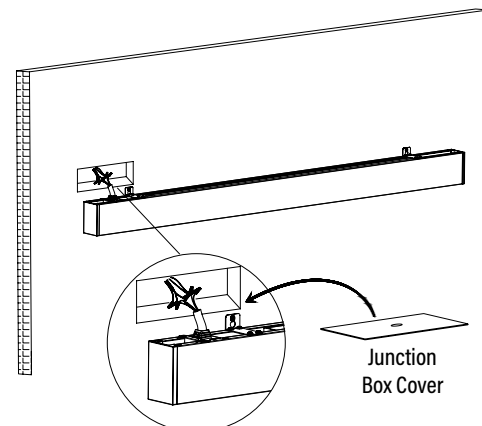
- 2** Secure the wall mount brackets to the back of the fixture using Screw A.



- 3** Using the junction box as a reference point, drill Ø6 mm holes in the ceiling as shown. Install the anchors, then mount the fixture with the provided screws.



- 4** Connect the wiring to the main power supply in accordance with applicable codes and local regulations. Place all wires and connectors inside the junction box. Cover the junction box and clean any fingerprints or stains.



# LINEAR ARCHITECTURAL - LA2

## INSTALLATION INSTRUCTIONS

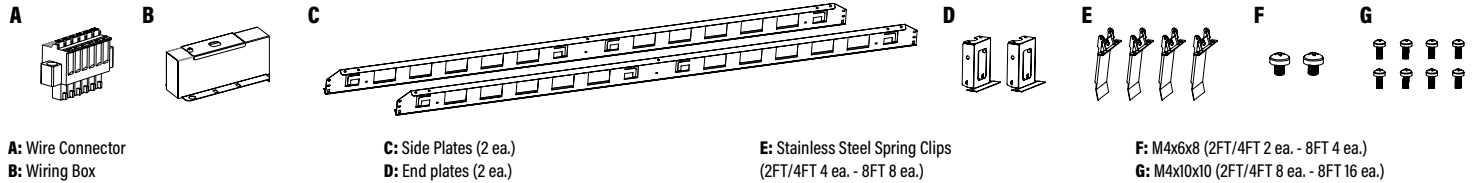
**PQL**  
PREMIUM QUALITY LIGHTING®

### RECESSED MOUNT *(Ordered separately)*

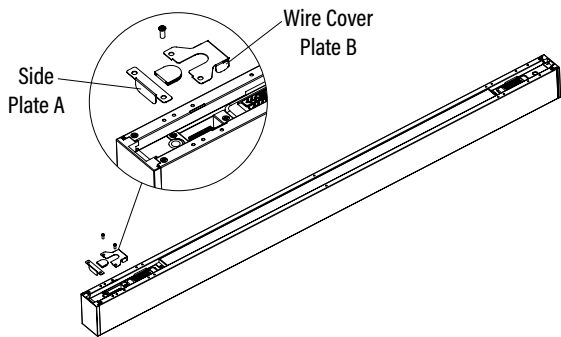


**WARNING DISCONNECT POWER BEFORE INSTALLING OR SERVICING.**

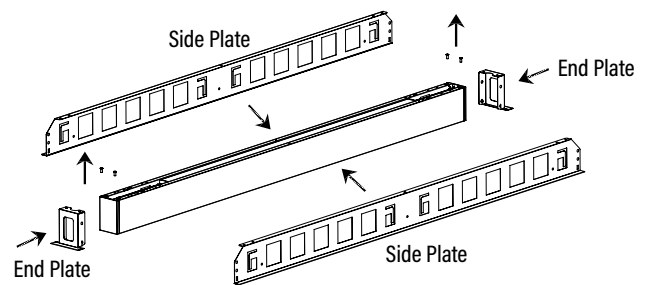
#### LA2-[2,4,8]-RMK



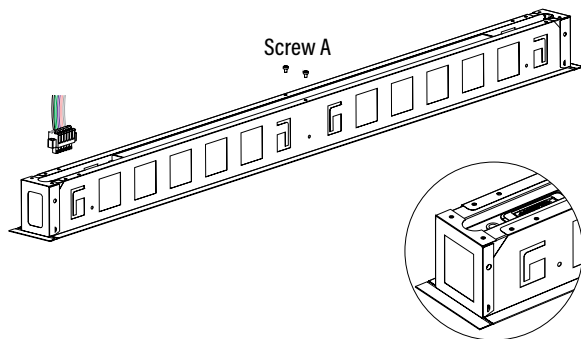
**1** Remove the original wiring cover plates A and B.



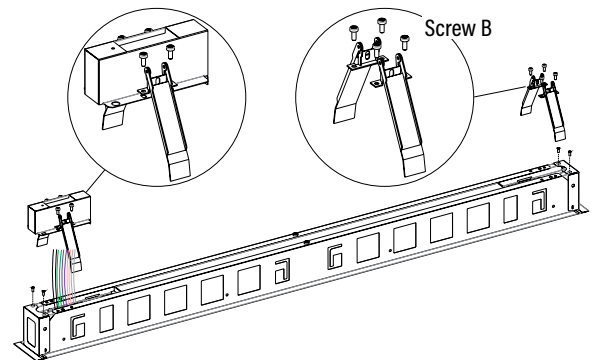
**2** Make sure the fixture is securely mounted to the ceiling. Clean off any fingerprints or stains.



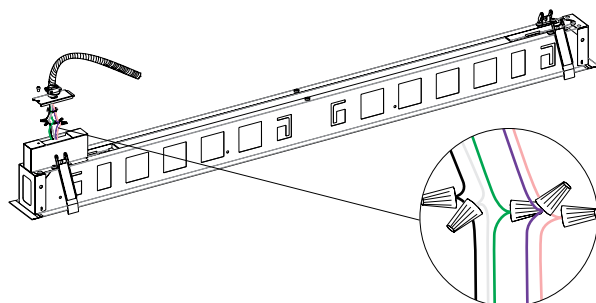
**3** Use Screw A to secure the center of the side plates. Install the wiring connector to the fixture and tighten the two screws on the connector to secure it.



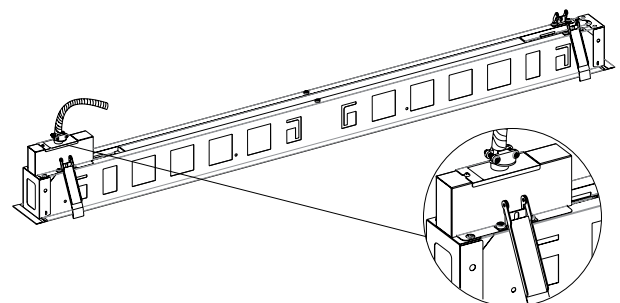
**4** Attach the spring clips and wiring box to the side plates. Use Screw B to secure the side plates, wiring box, and all clips. Use the screw removed in Fig. 2 to secure the end plates.



**5** Secure the flex conduit to the access plate removed from the wiring box, then complete the wiring.



**6** Attach the access plate and flex to the wiring box.



# LINEAR ARCHITECTURAL - LA2

## INSTALLATION INSTRUCTIONS

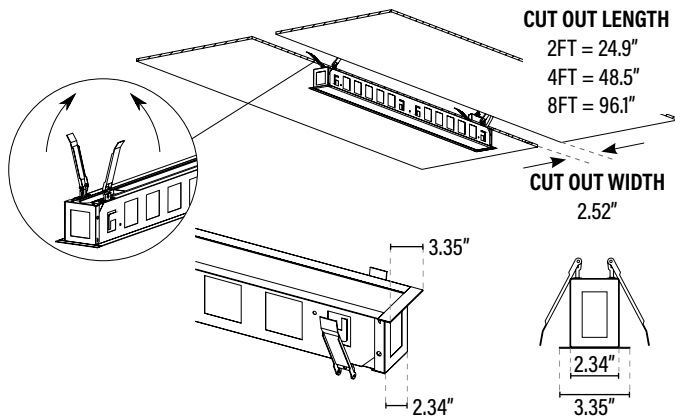
**PQL**  
PREMIUM QUALITY LIGHTING®

### RECESSED MOUNT

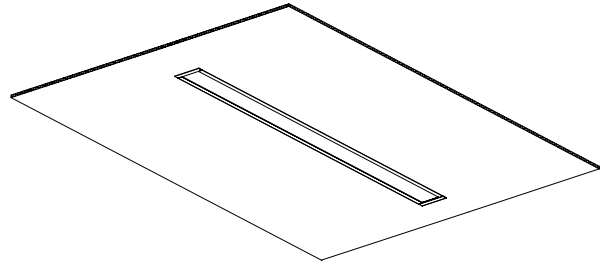


**WARNING DISCONNECT POWER BEFORE INSTALLING OR SERVICING.**

- 7** Align the fixture with the pre-cut hole, lift the spring clips, and insert the fixture into the ceiling.



- 8** Clean off any fingerprints or stains. Installation is complete.

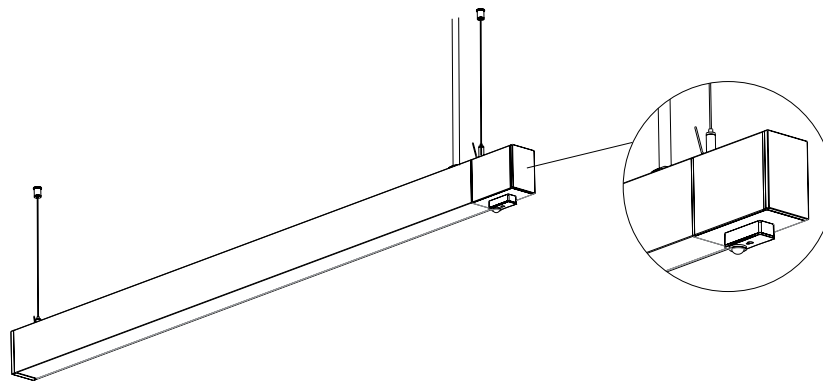


### DC SENSOR KIT (Ordered separately)



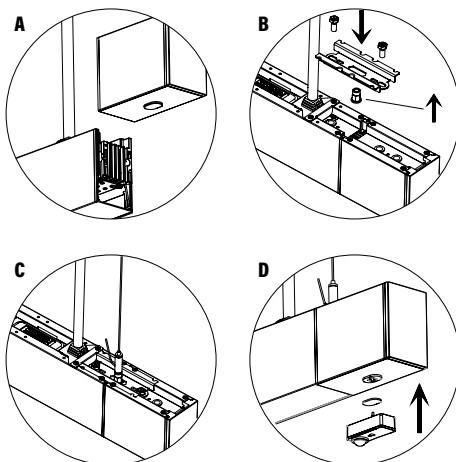
**WARNING DISCONNECT POWER BEFORE INSTALLING OR SERVICING.**

#### LA2-DCS[K,W]



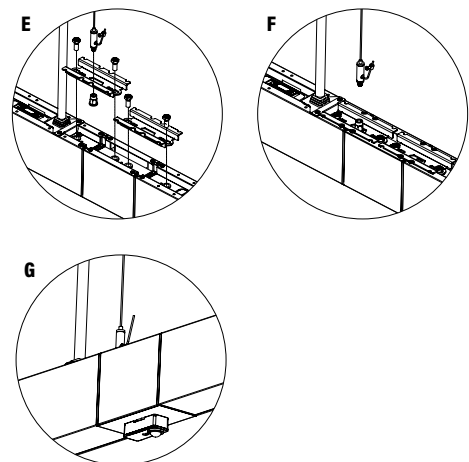
#### End-of-Row Installation (First or Last Fixture)

1. Remove the fixture end cap, then attach the sensor box to the designated fixture. (Fig. A)
2. Install the connection plate to reinforce the assembly. (Fig. B & C)
3. Attach the suspension cable to the assembled unit. (Fig. C)
4. Remove the receptacle cover and install the sensor. (Fig. D)



#### Mid-Row Installation (Between Two Fixtures)

1. Attach the sensor box to the center position between the two designated fixtures. (Fig. E)
2. Install two connection plates to reinforce the assembly. (Fig. E & F)
3. Attach the suspension cable to the assembled unit. (Fig. F & G)
4. Remove the receptacle cover and install the sensor. (Fig. G)



# LINEAR ARCHITECTURAL - LA2

## INSTALLATION INSTRUCTIONS

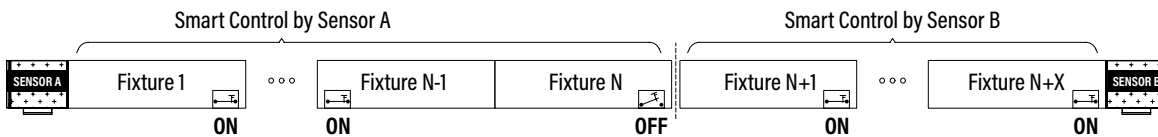
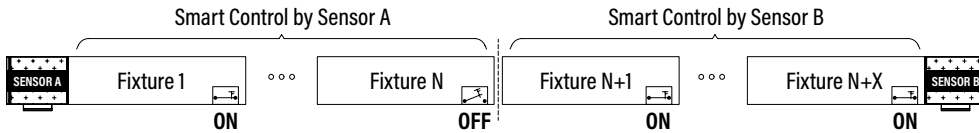
### DC SENSOR KIT (cont'd)



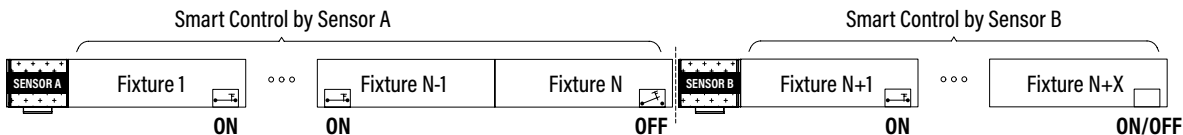
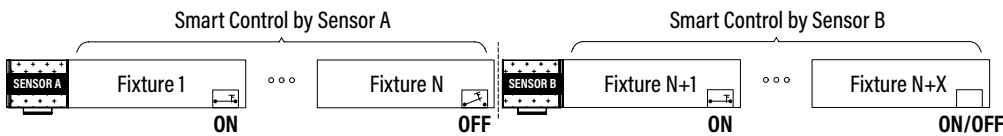
**WARNING DISCONNECT POWER BEFORE INSTALLING OR SERVICING.**

### MULTIPLE FIXTURES AND SENSORS CONNECTION

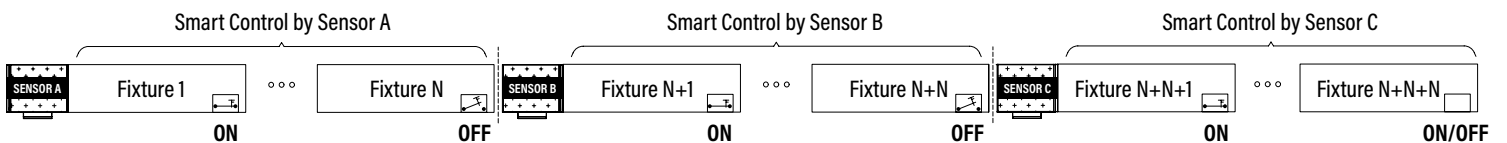
Typical Application



Typical Application



Typical Application



### CONNECTION SWITCH KEY

Dimming Connection Switch (ON)

Dimming Connection Switch (OFF)

Dimming Connection Switch (ON or OFF)