

LED PANEL

INSTALL INSTRUCTIONS



PLEASE FIND A QUALIFIED ELECTRICIAN FOR INSTALLATION. Please read the instructions before you install and use the luminaire.

WARNING, CAUTIONS AND OPERATING INSTRUCTIONS

- To reduce the risk of death, personal injury or property damage from fire, electric shock, falling parts, cuts/abrasions, and other hazards read all warnings and instructions included with and on the fixture box and all fixture labels.
- Before installing, servicing, or performing routine maintenance upon this equipment, follow these general precautions.
- Commercial installation, service and maintenance of luminaires should be performed by a qualified licensed electrician.
- For The installation: If you are unsure about the installation or maintenance of the luminaires, consult a qualified licensed electrician and check your local electrical code.
- To prevent wiring damage or abrasion, do not expose wiring to edges of sheet metal or other sharp objects.
- Do not make or alter any open holes in an enclosure of wiring or electrical components during kit installation.

WARNING: RISK OF FIRE OR ELECTRICAL SHOCK

- Turn off electrical power at fuse or circuit breaker box before wiring fixture to the power supply.
- Turn off the power when you perform any maintenance.
- Verify that supply voltage is correct by comparing it with the luminaire label information.
- Make all electrical and grounded connections in accordance with the National Electrical Code and any applicable local code requirements.
- All wiring connections should be capped with UL approved wire connectors.

CAUTION: RISK OF INJURY

- Avoid direct eye exposure to the light source while it is on.
- Account for small parts and destroy packing material, as these may be hazardous to children.
- Do not relocate Green ground screw provided, it is in the proper location.
- Minimum 90° supply connectors.
- Suitable for Dry or Damp locations, Type IC

SIZE	MODEL #	DESCRIPTION	Color Temp	Power	Input Voltage	Current	Efficacy	Lumens	CRI	Power Factor	Dimming					
2'x2'	55410	LED 2X2 PANEL/28W/35K/120-277V/DIMMABLE	3500K	28W	120-277V	650mA	125 lm/W	3500 lm	>80	>0.9	0-10V					
	55411	LED 2X2 PANEL/28W/40K/120-277V/DIMMABLE	4000K													
	55412	LED 2X2 PANEL/28W/50K/120-277V/DIMMABLE	5000K													
	55413	LED 2X2 PANEL/36W/35K/120-277V/DIMMABLE	3500K	36W		850mA		4500 lm								
	55414	LED 2X2 PANEL/36W/40K/120-277V/DIMMABLE	4000K													
	55415	LED 2X2 PANEL/36W/50K/120-277V/DIMMABLE	5000K													
2'x4'	55416	LED 2X4 PANEL/40W/35K/120-277V/DIMMABLE	3500K	40W	120-277V	900mA	125 lm/W	5100 lm	>80	>0.9	0-10V					
	55417	LED 2X4 PANEL/40W/40K/120-277V/DIMMABLE	4000K													
	55418	LED 2X4 PANEL/40W/50K/120-277V/DIMMABLE	5000K													
	55419	LED 2X4 PANEL/55W/35K/120-277V/DIMMABLE	3500K	55W		1200mA		6875 lm								
	55420	LED 2X4 PANEL/55W/40K/120-277V/DIMMABLE	4000K													
	55421	LED 2X4 PANEL/55W/50K/120-277V/DIMMABLE	5000K													
1'x4'	55425	LED 1X4 PANEL/40W/35K/120-277V/DIMMABLE	3500K	40W	120-277V	900mA	100 lm/W	4000 lm	>80	>0.9	0-10V					
	55426	LED 1X4 PANEL/40W/40K/120-277V/DIMMABLE	4000K													
	55427	LED 1X4 PANEL/40W/50K/120-277V/DIMMABLE	5000K													
2'x2'	55428	LED 2X2 PANEL/40W/35K/120-277V/DIMMABLE	3500K	40W		120-277V		900mA				100 lm/W	4000 lm	>80	>0.9	0-10V
	55429	LED 2X2 PANEL/40W/40K/120-277V/DIMMABLE	4000K													
	55430	LED 2X2 PANEL/40W/50K/120-277V/DIMMABLE	5000K													
2'x4'	55431	LED 2X4 PANEL/50W/35K/120-277V/DIMMABLE	3500K	50W	120-277V		1100mA	100 lm/W	5000 lm	>80	>0.9		0-10V			
	55432	LED 2X4 PANEL/50W/40K/120-277V/DIMMABLE	4000K													
	55433	LED 2X4 PANEL/50W/50K/120-277V/DIMMABLE	5000K													
	55434	LED 2X4 PANEL/75W/35K/120-277V/DIMMABLE	3500K	75W		1700mA	7500 lm									
	55435	LED 2X4 PANEL/75W/40K/120-277V/DIMMABLE	4000K													
	55436	LED 2X4 PANEL/75W/50K/120-277V/DIMMABLE	5000K													

LED PANEL

INSTALL INSTRUCTIONS



WARNING - TURN OFF POWER SUPPLY FROM MAIN CIRCUIT BREAKER BEFORE INSTALLING OR SERVICING.

INSTALLATION GUIDE

1. Carefully unpack unit and inspect for defects before installing. Wear gloves to prevent dirt and oil from transferring to the luminaire. If cleaning is needed, use gloves and a dry cotton cloth. Do not use hazardous chemicals.

2. Unscrew the driver cover. (Fig. 1)

2. Connect the conduit to the driver box. (Fig. 2)

3. Connect the ground wire and insert the other wires into the appropriate terminal blocks. (Fig. 3)

4. Reinstall the driver cover and secure it with a screw. (Fig. 4)

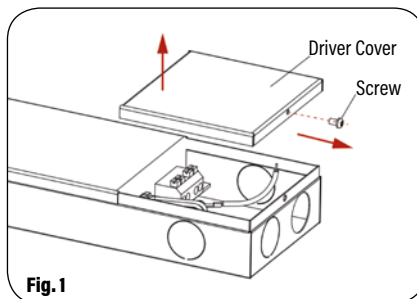


Fig. 1

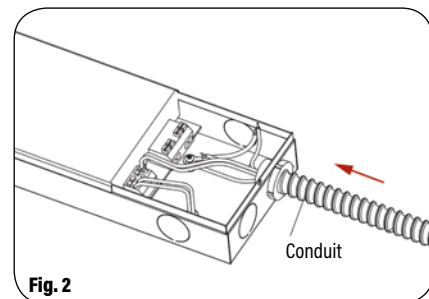


Fig. 2

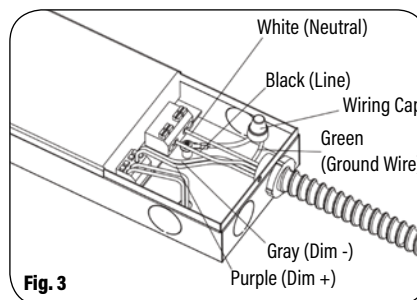


Fig. 3

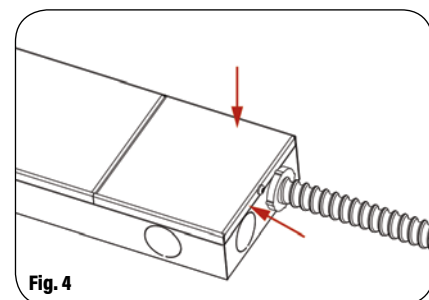


Fig. 4

RECESSED MOUNTING

1. Lift up four mounting clips on the sides of the luminaire. You can do it by hand (wear work gloves) or use pliers. (Fig. 5)

2. Insert luminaire into T-bar ceiling grid. Secure safety cable to connection hole as needed to meet local seismic requirements. (Fig. 6)

Safety cable and method of attachment to the building is established by contractor according to local building codes.

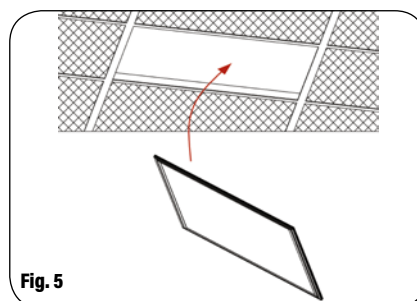


Fig. 5

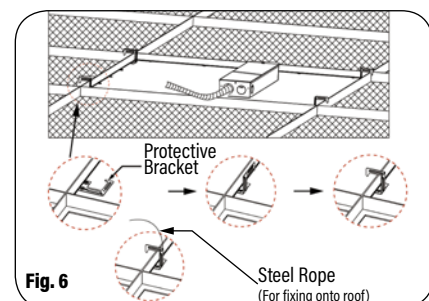


Fig. 6

CABLE SUSPENDED MOUNTING (Kit Sold Separately)

1. Drill two holes in the ceiling. Put the anchors into the holes, then insert the wire ropes and screw (Fig. 7)

2. Install brackets to the edge of the panel. Attach cables and adjust the hanging rope so that the panel hangs level. (Fig. 8)

3. The installation is complete. (Fig. 9)

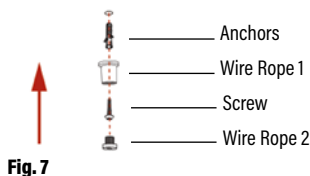


Fig. 7

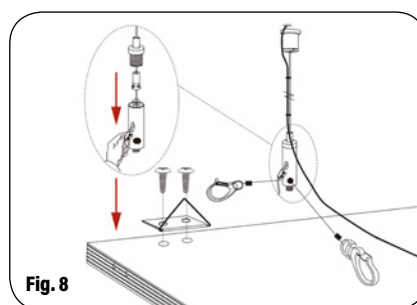


Fig. 8

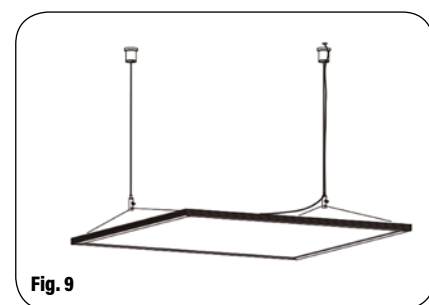


Fig. 9

LED PANEL

INSTALL INSTRUCTIONS



SURFACE MOUNTING KIT *(Kit Sold Separately)*

1. Drill holes in the ceiling based on the position and size of the holes in the surface mount kit. Ensure ceiling is sturdy enough to hold the weight of the LED panel. (Fig. 10)
2. Connect the surface mount kit by using the supplied screws. (Fig. 11)
3. Mount the frame on the ceiling with screws. (Fig. 12)
4. After mounting the frame onto ceiling, remove one side of the mounting frame. (Fig. 13)
5. Insert the panel into the surface mount. (Fig. 14)
6. Reattach the side of the mounting frame that was removed in Figure 13. (Fig. 15)

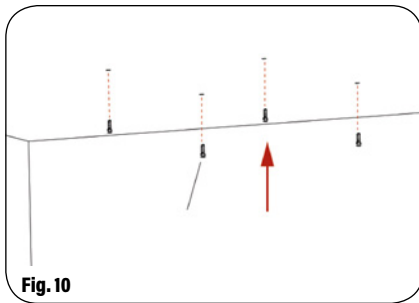


Fig. 10

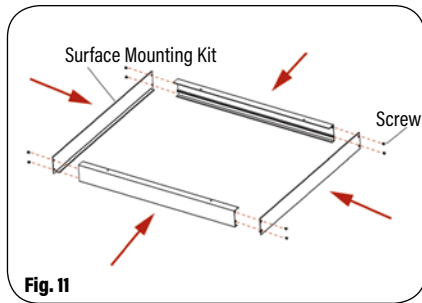


Fig. 11

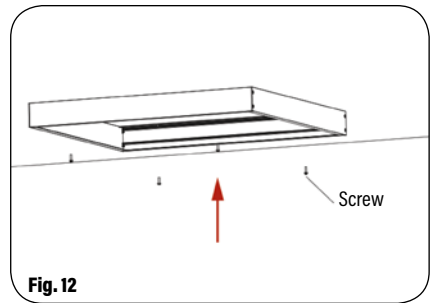


Fig. 12

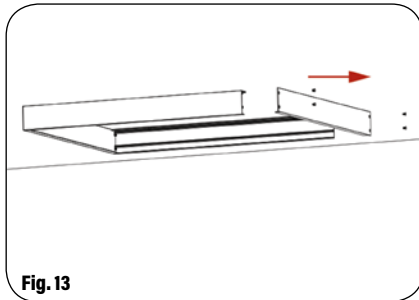


Fig. 13

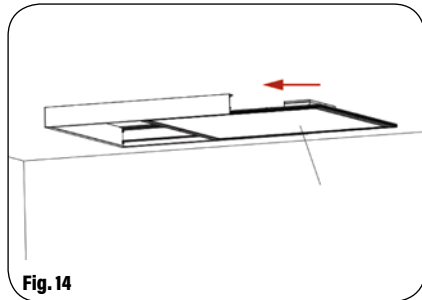


Fig. 14

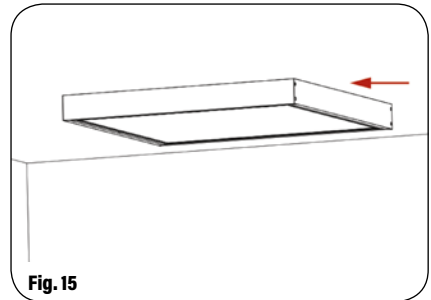


Fig. 15