



PREMIUM QUALITY LIGHTING

LED PANEL LIGHTING

45W and 53W

INSTALL INSTRUCTIONS



SPECIFICATIONS

ITEM#	DESCRIPTION	WATT	LED QTY	COLOR	LUMENS	CRI	VOLT	POWER FACTOR
90802	LED 45W 2x2 PANEL 122 LEDs-4000K 120-277V W/ DRIVER DLC	45	122	4000K	3,825	80	120-277V	0.9
90800	LED 45W 1x4 PANEL 114 LEDs-4000K 120-277V W/ DRIVER DLC	45	114	4000K	3,825	80	120-277V	0.9
90804	LED 53W 2x4 PANEL 124 LEDs-4000K 120-277V W/ DRIVER DLC	53	124	4000K	4,505	80	120-277V	0.9

Panels are **NON-dimmable**. Dimmable drivers are sold separately.

Please check DLC website for the most current list of approved items • www.designlights.org
Published lumens on LED products are approximate and may vary slightly.



PLEASE FIND A QUALIFIED ELECTRICIAN FOR INSTALLATION.

Please read the instruction before you install and use the luminaire.

WARNING

WARNING:

- Inherently protected
- Vapor barrier must be suitable for 90°C
- Min 90°C supply conductors
- Suitable above ceiling required
- Suitable for damp locations
- This product to be installed in accordance with the application installation code by personnel professional for construction and electrician.

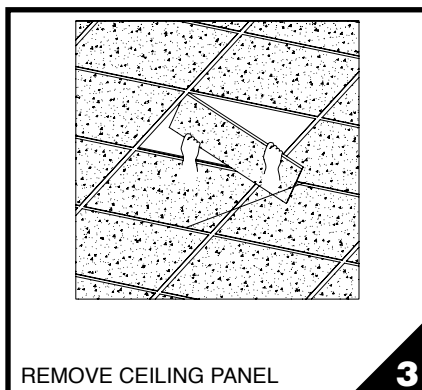


INSTALLATION - RECESSED MOUNT

1. CHECK THE FITTING BAG WITH LIST OF COMPONENTS

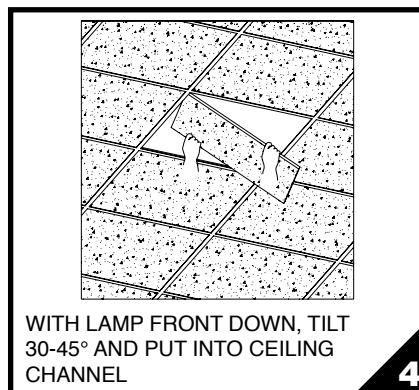
2. CHECK SPECIFICATIONS AND DIMENSIONS AND MAKE SURE CEILING MEETS THE INSTALLATION REQUIREMENTS

ITEM#	SIZE (L) x (W)	EXTERNAL SIZE OF T-CHANNEL	INTERNAL SIZE OF T-CHANNEL	NET WEIGHT
90802	23.6" x 23.6"	22.8" x 22.8"	23.7" x 23.7"	8.8lbs
90800	47.6" x 11.8"	49.6" x 11.0"	47.8" x 11.9"	8.8lbs
90804	47.6" x 23.6"	49.6" x 22.8"	47.8" x 23.7"	16.5lbs



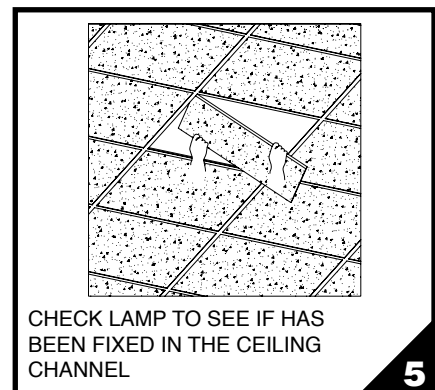
REMOVE CEILING PANEL

3



WITH LAMP FRONT DOWN, TILT 30-45° AND PUT INTO CEILING CHANNEL

4



CHECK LAMP TO SEE IF HAS BEEN FIXED IN THE CEILING CHANNEL

5

• THE LAMP MUST BE FULLY RECESSED INTO THE CHANNEL. INSURE THERE IS SPACE FOR ADJUSTING THE LAMP, THE SPACE SHOULD BE NO MORE THAN 0.11" (3mm) OR LAMP WILL FALL DOWN.



PREMIUM QUALITY LIGHTING

LED PANEL LIGHTING

45W and 53W

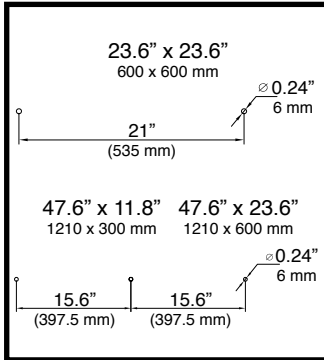
INSTALL INSTRUCTIONS



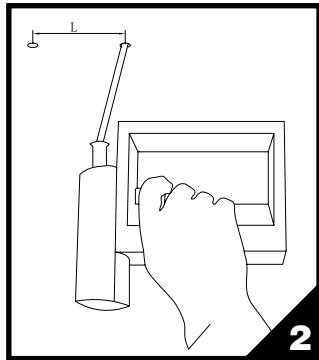
INSTALLATION - SUSPENSION

1. CHECK THE FITTING BAG WITH LIST OF COMPONENTS

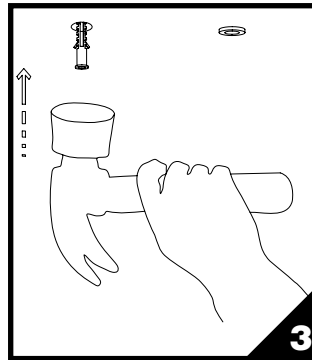
CAUTION: INSURE THAT THE WALL IS MADE OF SOLID CONCRETE AND THE THICKNESS IS MORE THAN 1.97" IN (50 MM), OR THE LAMP WILL FALL. INSTALL DIAMETER SHOULD NOT BE MORE THAN 0.24" IN (6 MM)



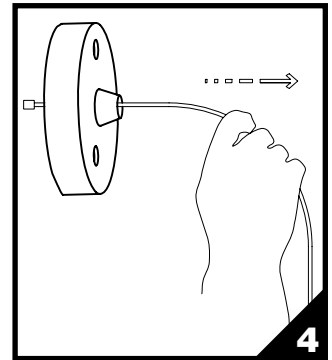
Tapping site view of ceiling.



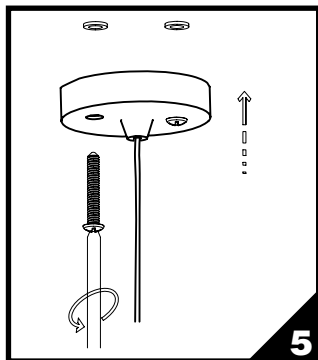
2. According to the specification, slotting a hole on the ceiling as the photo shows, diameter 0.24" in (6mm) by 1.38" in (35mm) deep.



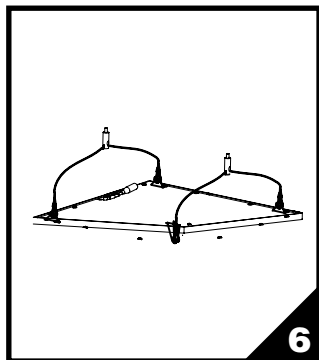
3. Put the expanded screw into the hole, insure the external rim is aligned with the wall.



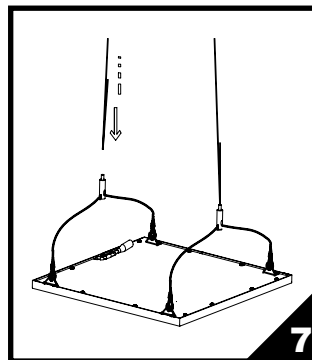
4. Put the upper suspended rope into the hole of the flange to insure the end cap inside the flange.



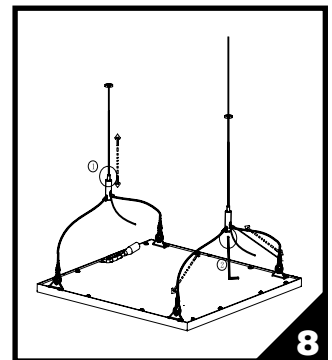
5. Fix the flange on the ceiling by the self tapping screw.



6. Fix the under suspend rope in the lamp.



7. Thread another side of the upper suspend rope into the hasp.



8. Adjust the suspend rope to reach the preferred height.

CAUTION: END CAP MUST BE LOCKED BY SPANNER OTHERWISE IT WILL FALL OFF AS TIME GOES ON.

INSTALLATION - WIRING INSTRUCTION

