

# LED READY T5 STRIP FIXTURE DOUBLE END WIRING

## INSTALLATION INSTRUCTIONS (UL TYPE B & C)

**PLEASE USE A QUALIFIED ELECTRICIAN FOR INSTALLATION.** Read the instructions before installing or use of the luminaire.

### WARNING, CAUTIONS AND OPERATING INSTRUCTIONS

- To reduce the risk of death, personal injury or property damage from fire, electric shock, falling parts, cuts/abrasions, and other hazards read all warnings and instructions included with and on the fixture box and all fixture labels.
- Before installing, servicing, or performing routine maintenance upon this equipment, follow these general precautions.
- Commercial installation, service and maintenance of luminaires should be performed by a qualified licensed electrician.
- For the installation: If you are unsure about the installation or maintenance of the luminaires, consult a qualified licensed electrician and check your local electrical code.
- To prevent wiring damage or abrasion, do not expose wiring to edges of sheet metal or other sharp objects.
- Do not make or alter any open holes in an enclosure of wiring or electrical components during kit installation.

### WARNING: RISK OF FIRE OR ELECTRICAL SHOCK

- Turn off electrical power at fuse or circuit breaker box before wiring fixture to the power supply.
- Turn off the power when you perform any maintenance.
- Verify that supply voltage is correct by comparing it with the luminaire label information.
- Make all electrical and grounded connections in accordance with the National Electrical Code and any applicable local code requirements.
- All wiring connections should be capped with UL approved wire connectors.

### CAUTION: RISK OF INJURY

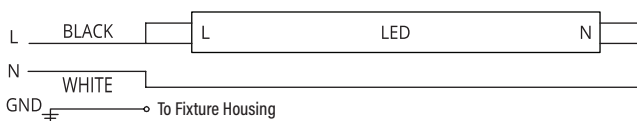
- Avoid direct eye exposure to the light source while it is on.
- Account for small parts and destroy packing material, as these may be hazardous to children.

## WIRING DIAGRAMS FOR DOUBLE END T5 TUBES

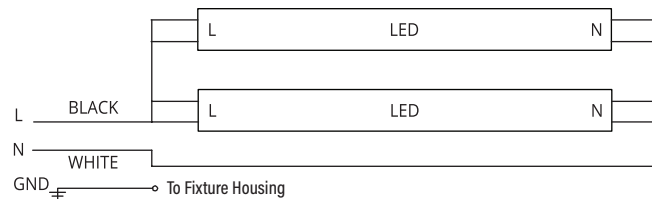


**WARNING DISCONNECT POWER BEFORE INSTALLING OR SERVICING.**

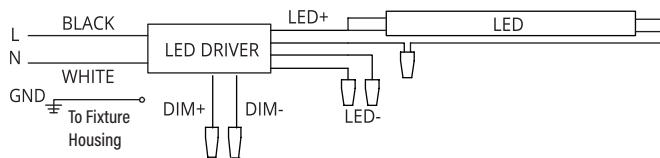
### ONE TUBE - TYPE B (DIRECT WIRE / BALLAST BYPASS)



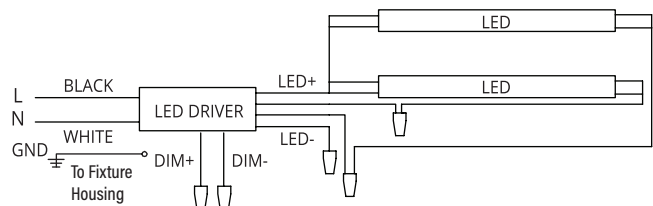
### TWO TUBES - TYPE B (DIRECT WIRE / BALLAST BYPASS)



### ONE TUBE - TYPE C



### TWO TUBES - TYPE C



# LED READY T5 STRIP FIXTURE DOUBLE END WIRING

## INSTALLATION INSTRUCTIONS (UL TYPE B & C)

**PQL**  
PREMIUM QUALITY LIGHTING®

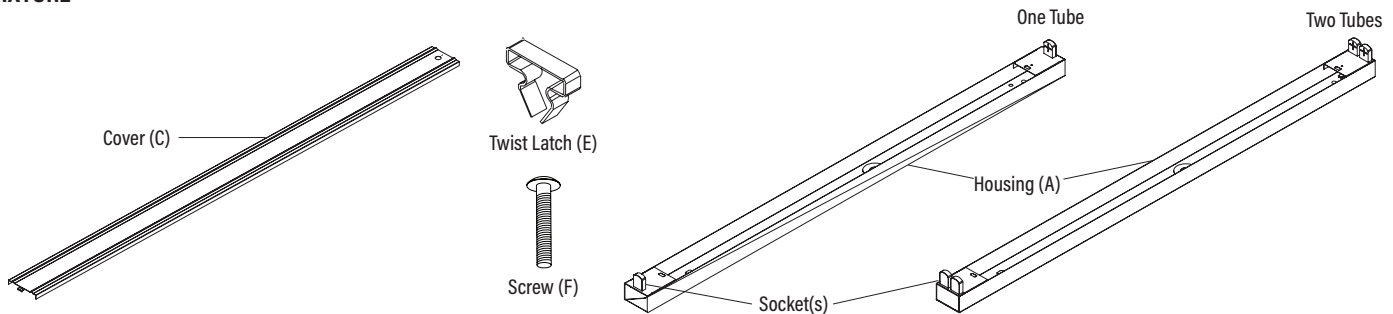
### INSTALLATION



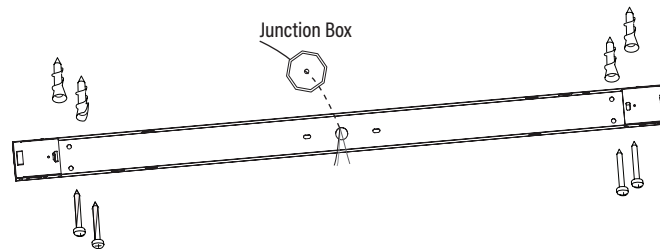
**WARNING DISCONNECT POWER BEFORE INSTALLING OR SERVICING.**

1. Turn off power supply from the circuit breaker.
2. Remove the cover (C) by unscrewing the twist latch (E) from the both ends.
3. Attach the sockets using screws (F).

### FIXTURE



4. Use the fixture as a template; position it on the junction box and mark the four mounting holes. Place the fixture aside, drill the four holes, and insert suitable anchors (not provided) into the mounting holes, depending on structural conditions.
5. Pass the junction box cables through and secure the fixture to the mounting surface by inserting anchor screws, toggle bolts, or suitable fasteners (not provided) into the four mounting holes through the top side of the fixture.



6. Connect the fixture wiring. Follow the wiring diagrams on page 1, or specific manufacturer wiring requirements for Double Ended T5 - Type B (Ballast Bypass) or Type C tubes. Use only UL-approved wire and connectors (not provided).
7. Replace the cover from Step 2 and secure it into place with the twist latches (E) and rotate 90° to lock. Caution: Ensure all wires are tucked into the fixture before latching.
8. Install the lamps into the fixture.
9. Restore power; installation is complete.

