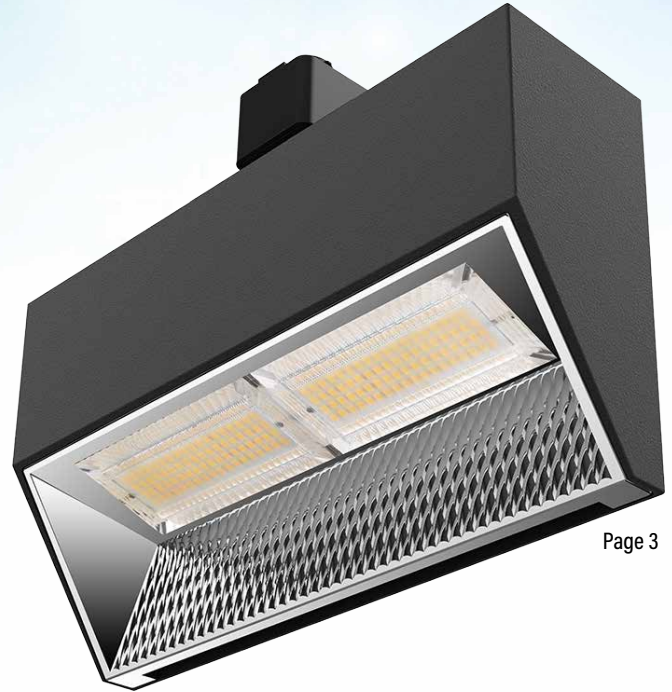




Page 2



Page 3

## LED INTERIOR LIGHTING

---

# TRACK HEADS

Superior Life® LED Track Heads feature energy efficient integrated LED technology to deliver bright uniform light with a long life. Both styles have selectable wattages and are adjustable for dynamic lighting in any application. Durable metal construction with a smooth finish for a sleek modern design. Compatible with popular linear track systems.

**Application:** Designed for a variety of applications; illuminating merchandise, architectural features, displays and artwork.

# LED INTERIOR LIGHTING POWERZOOM™ TRACK HEAD



## FEATURES

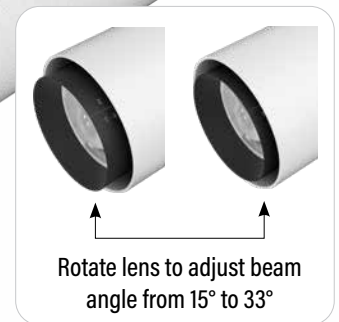
- Selectable Wattage & Beam Angle
- High Efficiency, Energy Saving
- Modern design, for a clean visual appearance
- Smooth zoom for precision light distribution
- 360° head rotation with 90° tilt
- White or Black finish
- Compatible with H or J track systems



ADJUSTABLE LIGHTING



WATTAGE SELECTION SWITCH



ADJUSTABLE BEAM ANGLE

WATTS	ITEM#	DESCRIPTION	CCT	LUMENS	LM/W	BEAM	CRI	TRACK	FINISH	LIFE HOURS	TRAD. EQUIV.	CASE
<b>120V DIMMING - TRIAC/ELV</b>												
25/32	80830	POWERZOOM™ 25/32W/35K/DIMMABLE/WHITE/H STYLE - SL® <i>Qualification Model # STR-32-H-35K-YY-WH</i>	3500K	2147-2961	86-93	15°-33°	90	H	WHITE	50,000	150W	8
	80831	POWERZOOM™ 25/32W/35K/DIMMABLE/BLACK/H STYLE - SL® <i>Qualification Model # STR-32-H-35K-YY-BK</i>	3500K	2147-2961	86-93	15°-33°	90	H	BLACK	50,000	150W	8
	80834	POWERZOOM™ 25/32W/35K/DIMMABLE/WHITE/J STYLE - SL® <i>Qualification Model # STR-32-J-35K-YY-WH</i>	3500K	2147-2961	86-93	15°-33°	90	J	WHITE	50,000	150W	8
	80835	POWERZOOM™ 25/32W/35K/DIMMABLE/BLACK/J STYLE - SL® <i>Qualification Model # STR-32-J-35K-YY-BK</i>	3500K	2147-2961	86-93	15°-33°	90	J	BLACK	50,000	150W	8

Key: SL = Superior Life® / P = Pending / LM = Lumens / TRAD. EQUIV. = Traditional Equivalent

Note: Warranty and Qualifications can vary per item, see technical data sheets (TDS) for specific information. • Published lumens on LED products are approximate and may vary slightly. • Specifications are subject to change without notice. • Photos and drawings may not be to scale and are for general reference only.



**PREMIUM QUALITY LIGHTING®** • Phone: 800-323-8107  
© P.Q.L., Inc. • 2285 Ward Avenue • Simi Valley, CA 93065

[www.PQLighting.com](http://www.PQLighting.com)

Rev: 07/21/2021

# LED INTERIOR LIGHTING SPEC-SELECT™ STEALTH-TRAC HEAD



## FEATURES

- Selectable Wattage & Color Temperature (3000K, 3500K, 4000K)
- High Efficiency, Energy Saving
- Modern design, for a clean visual appearance
- Superior uniform light coverage
- Excellent cutoff and glare control
- 360° head rotation with 90° pivot
- White or Black finish
- Compatible with H or J track systems



WATTAGE & CCT SELECTION SWITCHES



ADJUSTABLE LIGHTING



WATTS	ITEM#	DESCRIPTION	CCT	LUMENS	LM/W	BEAM	CRI	TRACK	FINISH	LIFE HOURS	TRAD. EQUIV.	CASE
<b>120V DIMMING - TRIAC/ELV</b>												
30/40/50	80840	STEALTH-TRAC 30/40/50W - 30-40K/DIMM/WHT/H STYLE - SL® <i>Qualification Model # WWTR-50-H-CCK-YY-WH</i>	30-40K	2781-5048	93-101	90° x 60°	90	H	WHITE	50,000	200W	4
	80841	STEALTH-TRAC 30/40/50W - 30-40K/DIMM/BLK/H STYLE - SL® <i>Qualification Model # WWTR-50-H-CCK-YY-BK</i>	30-40K	2781-5048	93-101	90° x 60°	90	H	BLACK	50,000	200W	4
	80845	STEALTH-TRAC 30/40/50W - 30-40K/DIMM/WHT/J STYLE - SL® <i>Qualification Model # WWTR-50-J-CCK-YY-WH</i>	30-40K	2781-5048	93-101	90° x 60°	90	J	WHITE	50,000	200W	4
	80846	STEALTH-TRAC 30/40/50W - 30-40K/DIMM/BLK/J STYLE - SL® <i>Qualification Model # WWTR-50-J-CCK-YY-BK</i>	30-40K	2781-5048	93-101	90° x 60°	90	J	BLACK	50,000	200W	4

Key: SL = Superior Life® / P = Pending / LM = Lumens / TRAD. EQUIV. = Traditional Equivalent

Note: Warranty and Qualifications can vary per item, see technical data sheets (TDS) for specific information. • Published lumens on LED products are approximate and may vary slightly. • Specifications are subject to change without notice. • Photos and drawings may not be to scale and are for general reference only.



**PREMIUM QUALITY LIGHTING®** • Phone: 800-323-8107  
© P.Q.L., Inc. • 2285 Ward Avenue • Simi Valley, CA 93065

[www.PQLighting.com](http://www.PQLighting.com)

Rev: 07/21/2021