

CANOPY LIGHT - MCR2

INSTALL INSTRUCTIONS



PLEASE USE A QUALIFIED ELECTRICIAN FOR INSTALLATION. Read the instructions before installing or use of the luminaire.

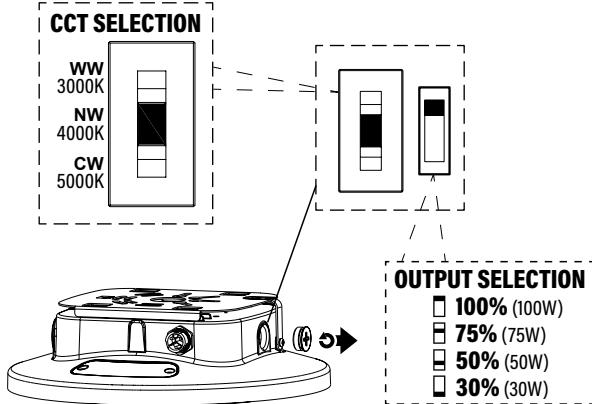
WARNING, CAUTIONS AND OPERATING INSTRUCTIONS

- Read carefully before installing fixture. Retain for future reference.
- Upon receipt the fixture, thoroughly inspect for any freight damage which should be brought to the attention of the delivery carrier. Compare the catalog description listed on the package slip with the fixture label on the housing to assure you have received the correct material.
- This fixture must be wired in accordance with the National Electrical Code (NEC) and applicable local codes and ordinances. Proper grounding is required to ensure personal safety and correct operation. Carefully observe the correct grounding procedure under installation section.
- Please do not modify, or dismantle, or replace any accessories on the luminaire.
- Only qualified personnel should install the lamp, following the instruction manual. Improper installation may result in falls, electric shock, fire, or other injuries, damage, or hazards.
- To prevent electrical shock, turn off electricity at breaker panel before proceeding. Always disconnect the power before installing or performing any maintenance on the lamp. Do not touch the power supply while the lamp is in operation.
- If the luminaire starts smoking or emitting odors, immediately disconnect the power to prevent fire or electric shock. Contact a qualified technician.
- If an external flexible cable or cord is damaged, it must be replaced only by the manufacturer, service agent, or a qualified professional to avoid potential hazards.
- We recommend installing a separate surge protection device in the distribution box to extend the luminaire's lifespan.
- Excessive dust or oil buildup on the lens can obstruct light emission and heat dissipation, altering the light distribution and causing excessive heat that could affect fixture performance. For such conditions, regular cleaning of the luminaire is recommended to ensure a longer lifespan.
- Suggested mounting height is 9.8FT to 16.4FT (3-5 meters).
- Operating temperature range: -22°F thru 113°F
- Suitable for wet locations, IP65
- Covered ceilings

GENERAL INFORMATION

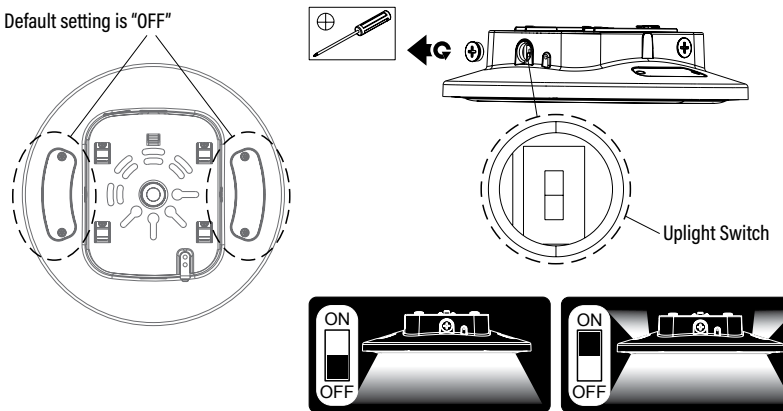
WARNING DISCONNECT POWER BEFORE INSTALLING OR SERVICING.

FIELD SELECTABLE CCT & OUTPUT

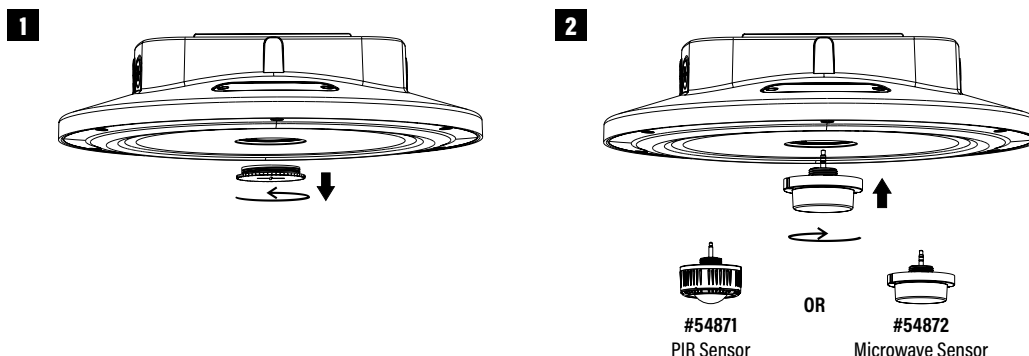


UPLIGHT OPTION

Default setting is "OFF"



SENSOR (Ordered Separately)



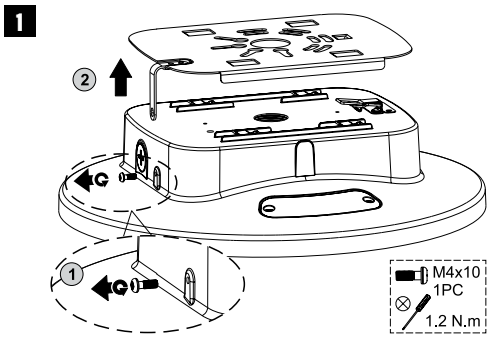
CANOPY LIGHT - MCR2

INSTALL INSTRUCTIONS

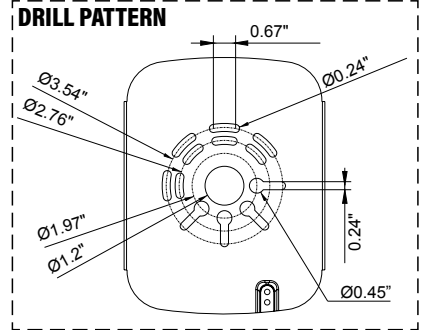
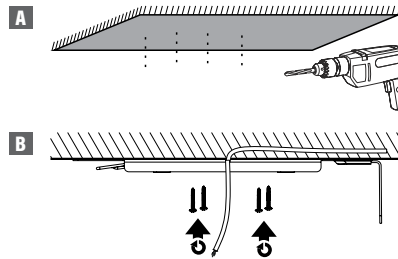


INSTALLATION

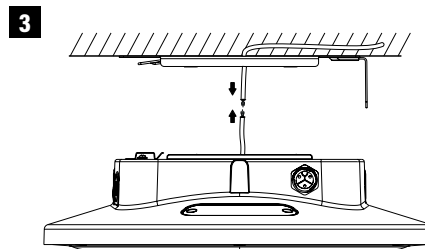
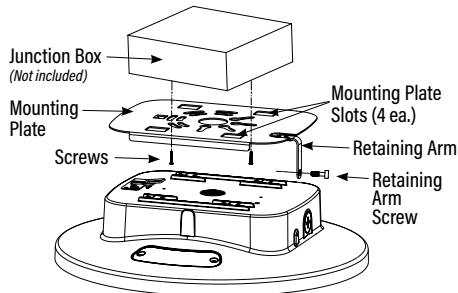
WARNING DISCONNECT POWER BEFORE INSTALLING OR SERVICING.



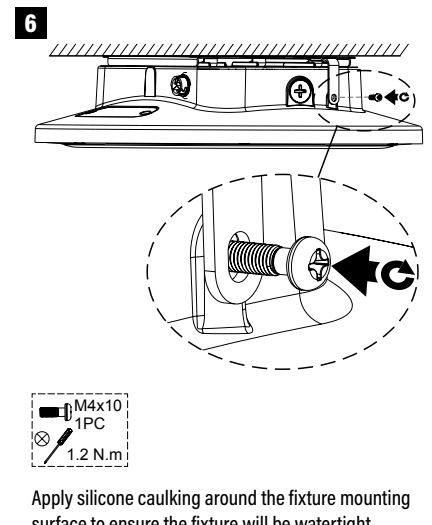
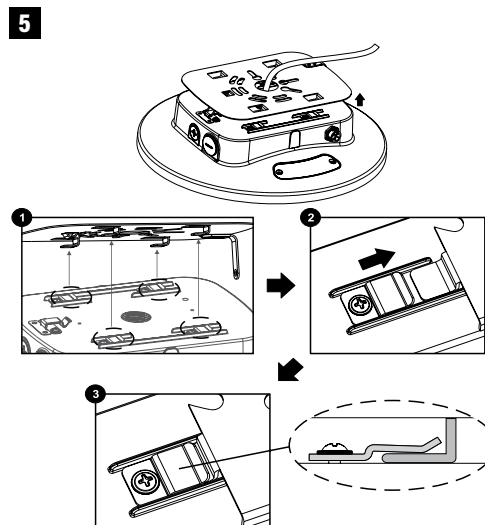
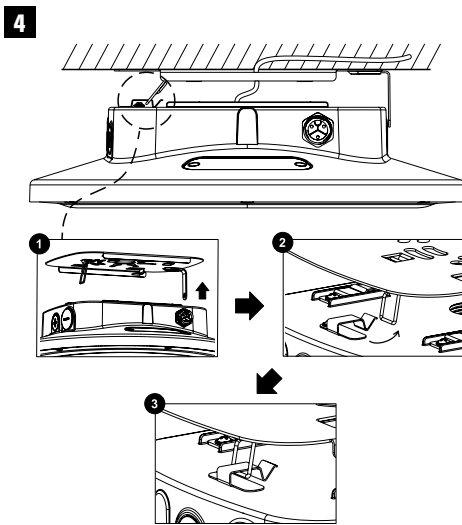
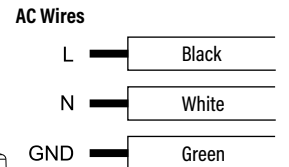
2.1 SURFACE MOUNT - Appropriate surface-mount fasteners to be supplied by the installer.



2.2 JUNCTION BOX - Install the mounting plate to the junction box, screws supplied by the installer.

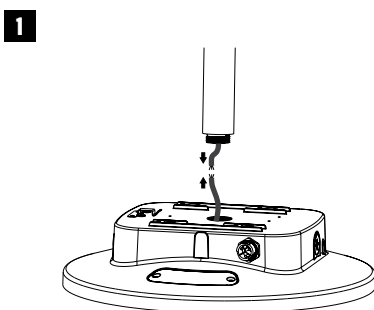


GENERAL WIRING DIAGRAM



INSTALLATION - 3/4" NPT STEM MOUNT

WARNING DISCONNECT POWER BEFORE INSTALLING OR SERVICING.



2 Use plumbers tape/putty for a watertight seal.

