

# MCR2

CANOPY LIGHT

## OVERVIEW

### Lumens

Delivers up to 165 lumens per watt

### CRI

70

### CCT Selectable

3000K, 4000K, 5000K

### Voltage

120-277V

### Dimming

0-10V

### Operating Temperature

-22°F to 113°F

### Projected Lifetime

153,000 Hours (L70); 91,000 (L80)

### Suitable Location *(Fixture Only)*

Wet (IP65)

### Finish

White



Custom colors available.



The low-profile canopy light is an excellent choice for utility spaces, parking garages, security areas, entryways, and canopy lighting. Designed with integrated uplight, it eliminates the "cave effect" common in traditional garage lighting, creating a brighter, more inviting environment. The durable construction and IP65-rated housing ensure long-lasting performance, while delivering an impressive efficiency of up to 165 lumens per watt. Ideal for applications where both visibility and ambiance matter.

### Features

- Construction: Durable die-cast aluminum housing provides excellent thermal management and IK08-rated impact resistance.
- Integrated Uplight: Provides 5–10% of total fixture output. Easily controlled with an on/off switch.
- Customizable Output: 4 wattage levels and 3 color temperatures are field selectable to fit various applications.
- Flexible Installation: Comes standard with a surface-mount configuration and can be easily converted to stem mounting (Stem provided by others).
- Controls – Optional PIR/microwave sensors for enhanced functionality.
- Emergency Backup Kit: Optional kit featuring a quick-connect connector for fast, easy installation.

### Integrated Uplight



**BUILD WORKSHEET**

Contact sales representative to order.

MCR2	12	P100	3C			
SERIES	SIZE	OUTPUT	CCT	FINISH	SENSOR	WARRANTY
MCR2 Architectural Canopy Light	12 12" Diameter	P100 30W / 4950 50W / 8250 75W / 12375 100W / 16500 <sup>2</sup>	3C 3000K, 4000K <sup>1</sup> , 5000K	W White, Standard  C Custom <sup>1</sup>	P PIR Sensor (54871)  M Microwave Sensor (54872)  Blank None	10 10-Year Option  Blank 5-Year Standard

\* Fixture comes preset at 100W, 4000K and uplight turned off.  
<sup>1</sup> Consult with sales representative for custom ordering and lead time.  
<sup>2</sup> 5 Year Warranty is Standard unless specified.

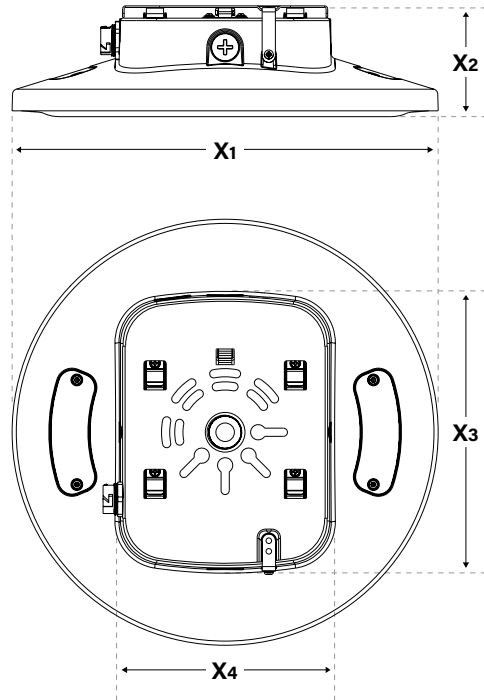
**ACCESSORIES** (Ordered separately for field installation)

54871	BI-LEVEL PIR MOTION & DAYLIGHT SCREW-IN SENSOR/40FT
54872	BI-LEVEL MICROWAVE MOTION & DAYLIGHT SCREW-IN SENSOR/40FT
RC-100	HAND HELD REMOTE FOR CONFIGURING PROGRAMMABLE SENSORS
MCR-BS12	BIRD SPIKES
EMB-MCR2-8W-U	EMERGENCY KIT FOR LED MCR212P1003CW 8W/90 MIN

**DIMENSIONS**

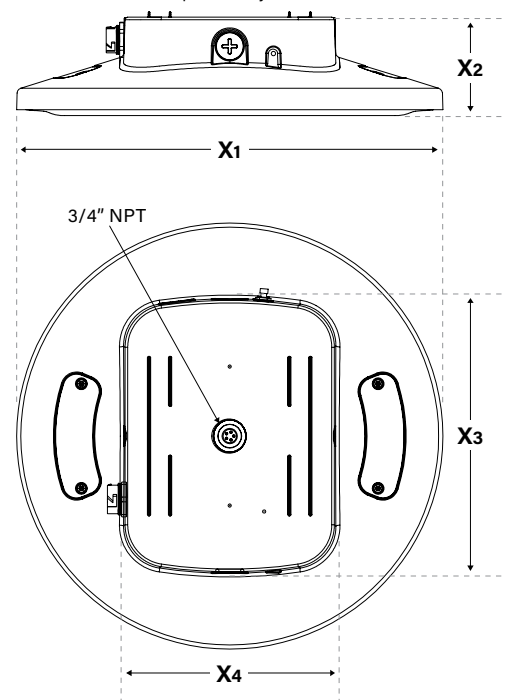
Size	Surface	Stem
X1	12.7"	
X2	3.3"	3.1"
X3	7.9"	
X4	6.1"	

**Surface Mount**

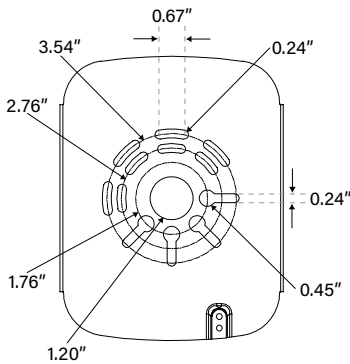


**Stem Mount**

Stem provided by others.



**Surface Mount Bracket**



**Quick-Ship Program** Select sizes, finishes and configurations in stock, and ready to ship.  
**DLC®** Visit <https://designlights.org/qpl> to confirm qualification.

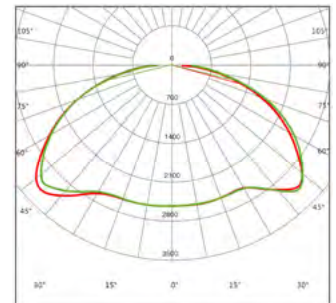
**PERFORMANCE DETAILS**

<b>Electrical</b>	
Wattage (Selectable)	30W / 50W / 75W / 100W
Voltage	120-277V - 50/60Hz
Surge Protection	4kV line-line, 6kV line-earth
<b>Optical</b>	
CCT (Selectable)	3000K / 4000K / 5000K
CRI	70
Light Distribution	Type V
Dimming	0-10V
<b>Environment</b>	
Operating Temperature	Fixture only: -22°F to 113°F With Emergency Kit: 32°F to 104°F
Suitable Location	Wet, covered ceilings
IP Rating	IP65
Impact Rating	IK08
<b>Construction</b>	
LED Chip	LED 2835
Driver	LF-FAA100
Housing	Aluminum
Lens	PC
Finish	White
<b>Listings</b>	
Model Number	MCR112P1003C
Qualifications	ETL, DLC® Premium

**LUMEN OUTPUT**

WATTAGE	3000K		4000K		5000K	
	Lumens	LPW	Lumens	LPW	Lumens	LPW
30W	4200	140	4950	165	4650	155
50W	7000		8250		7750	
75W	10500		12375		11625	
100W	14000		16500		15500	

**PHOTOMETRIC**



**SENSOR**



**BI-LEVEL PIR MOTION & DAYLIGHT SENSOR** (Option P - #54871)

- Provides multi-level control based on motion and/or daylight contribution.
- Controls 0-10V DC LED drivers.
- 360° detection range.
- Adjustable light levels and stand-by time.
- All control parameters are adjustable by using the RC-100 remote (sold separately).

**Factory Default Settings:** Sensitivity set to 100%. Hold on time 5 minutes. Daylight sensor is disabled (Set at ☼). Dimming level at 30%. Dimming time at 60 minutes.



**BI-LEVEL MICROWAVE MOTION & DAYLIGHT SENSOR** (Option M - #54872)

- Provides multi-level control based on motion and/or daylight contribution.
- Slim, low-profile.
- 360° detection range.
- Adjustable light levels and stand-by time.
- All control parameters are adjustable by using the RC-100 remote (sold separately).

**Factory Default Settings:** Sensitivity set to 100%. Hold on time 5 minutes. Daylight sensor is disabled (Set at ☼). Dimming level at 30%. Dimming time at 60 minutes.

**EMERGENCY KIT** (Accessory - #EMB-MCR2-8W-U)

Quick-Connector is waterproof. The Emergency Box and Driver are rated for damp locations only (IP20).



**Battery Features**

- Illuminated Test Switch & Indicator Light
- Meets standard CSA C22.2 NO.141 UL924
- Over-current, over/under-voltage, and short-circuit protection.

SPECIFICATIONS	
Input Voltage	100-277V, 50/60Hz
AC Input Current	100mA max.
AC Input Power Rating	7W
Output Current and Voltage	160-320mA 25-48Vdc
Output Power	8W
Battery Charging Current	250mA
Battery Pack Voltage/Capacity	Li-ion battery-7.4V/2500mAH
Charging Time	≥ 24 Hours
Emergency Time	90 Minutes
Ambient Operating Temperature	32° ~ 104°F
Suitable Location	Damp
IP Rating	IP20

**OTHER VIEWS**



**BIRD SPIKES**

