

SPEC-SELECT™ MINI WALL PACK - #83693

INSTALLATION INSTRUCTIONS



PLEASE USE A QUALIFIED ELECTRICIAN FOR INSTALLATION. Read the instructions before installing or use of the luminaire.

WARNING, CAUTIONS AND OPERATING INSTRUCTIONS

- To reduce the risk of death, personal injury or property damage from fire, electric shock, falling parts, cuts/abrasions, and other hazards read all warnings and instructions included with and on the fixture box and all fixture labels.
- Before installing, servicing, or performing routine maintenance upon this equipment, follow these general precautions.
- Commercial installation, service and maintenance of luminaires should be performed by a qualified licensed electrician.
- For the installation: If you are unsure about the installation or maintenance of the luminaires, consult a qualified licensed electrician and check your local electrical code.
- To prevent wiring damage or abrasion, do not expose wiring to edges of sheet metal or other sharp objects.
- Do not make or alter any open holes in an enclosure of wiring or electrical components during kit installation.

WARNING: RISK OF FIRE OR ELECTRICAL SHOCK

- Turn off electrical power at fuse or circuit breaker box before wiring fixture to the power supply.
- Turn off the power when you perform any maintenance.
- Verify that supply voltage is correct by comparing it with the luminaire label information.
- Make all electrical and grounded connections in accordance with the National Electrical Code and any applicable local code requirements.
- All wiring connections should be capped with UL approved wire connectors.

CAUTION: RISK OF INJURY

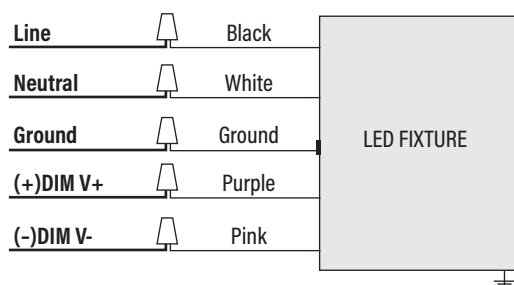
- Risk of burn. Disconnect power and allow fixture to cool before handling fixture.
- Avoid direct eye exposure to the light source while it is on.
- Luminaire is designed to operate in ambient temperatures ranging from -40°F to 122°F (-40°C to 50°C)
- Minimum 75° supply conductors.
- Suitable for Wet locations.

GENERAL INFORMATION



WARNING DISCONNECT POWER BEFORE INSTALLING OR SERVICING.

GENERAL WIRING DIAGRAM



**Note: For non-dimming applications, cap the purple and pink wires separately. Failure to do so may cause malfunctioning and void warranty.*

FIELD ADJUSTABLE SETTINGS

1. To change settings, remove the clear cover on the side of the fixture (Fig. A).
2. Choose your settings by moving the dip switch to the appropriate positions. (Fig. B)
3. Replace clear cover.

Fig. A

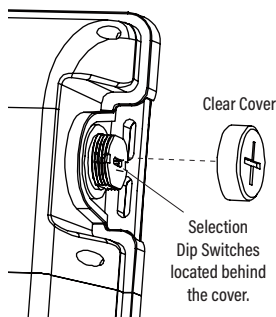
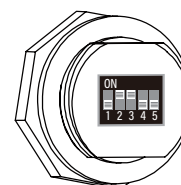
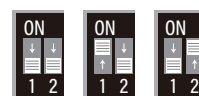


Fig. B



Wattage Selection
Dip Switches 1 & 2

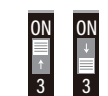


25W

20W

15W

Photo Cell
Dip Switch 3



ON

OFF

CCT Selection
Dip Switches 4 & 5



5000K

4000K

3000K

SPEC-SELECT™ MINI WALL PACK - #83693

INSTALLATION INSTRUCTIONS

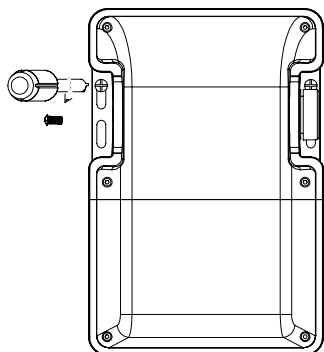
PQL
PREMIUM QUALITY LIGHTING®

INSTALLATION

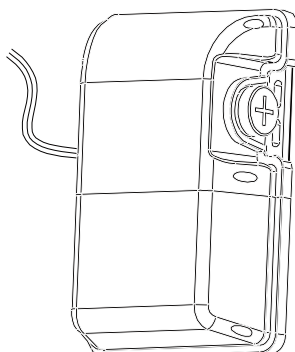


WARNING DISCONNECT POWER BEFORE INSTALLING OR SERVICING.

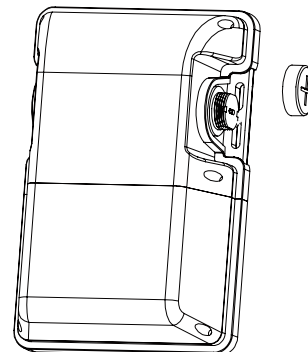
SURFACE MOUNT - Apply silicone sealant (not provided) to any mounting holes to prevent water entry.



1. Attach the fixture securely to the wall using the side holes and 2 M4 screws.

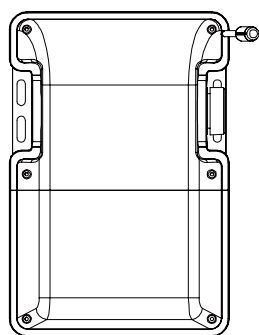


2. Wire connections should follow the instructions in the General Wiring Diagram on page 1.

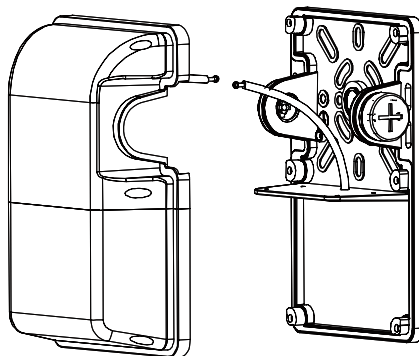


3. Adjust the field settings as needed, consulting page 1 for guidance.

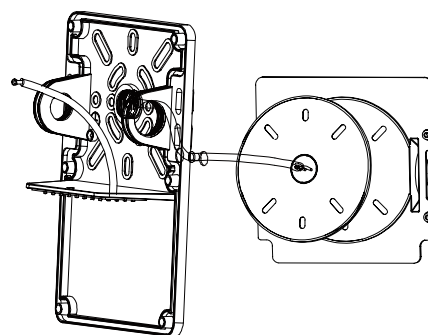
SURFACE MOUNT WITH JUNCTION BOX - Apply silicone sealant (not provided) to any mounting holes to prevent water entry.



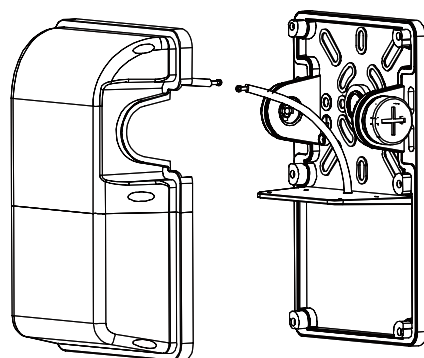
1. With a screwdriver, unscrew the front cover screws.



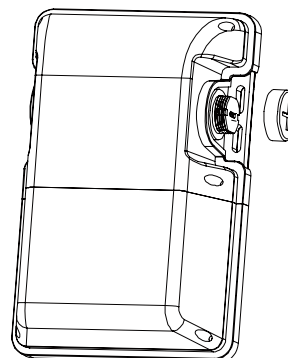
2. Disconnect the male and female connectors, then remove the driver box.



3. Use the junction box as a template to drill holes for mounting in the desired position. Secure the fixture to the junction box.



4. Reconnect the male and female ends and reattach the front cover.



5. Adjust the field settings as needed, consulting page 1 for guidance.