

MAIA™

Modern Full Cutoff LED Wall Pack

Client: _____ Order #: _____
 Project Name: _____ Type: _____ Qty: _____

Performance Data

CRI

70+

CCT

3000K, 4000K, 5000K

Average Lifetime

50,000 Hours

Voltage

120-277V

Dimming

0-10V dimming standard,
100% down to 10%

Operating Temperature

-40° ~ 104°F (-40° ~ 40°C)

Listing

IP65 - Suitable for dry,
damp, wet locations.



10 Yr

Warranty
Available

Description

The Maia™ full cutoff LED wall pack features a slim, yet striking aesthetic and is designed as the premier full cutoff wall-mount lighting solution. This modern luminaire is ideal for a variety of outdoor applications, including educational facilities, office space exteriors, municipal buildings, and as security lighting. The Maia™ has been constructed to provide maximum energy cost savings over traditional light fixtures in mind, with an optional integrated motion sensor delivering even deeper savings.

Features

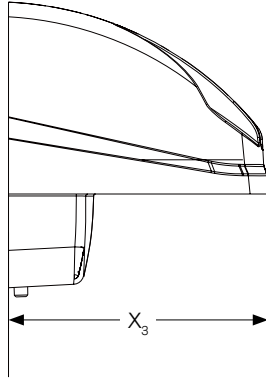
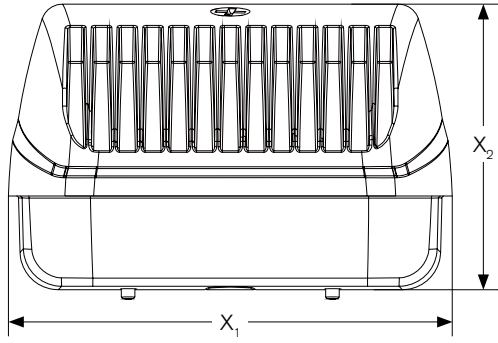
- Low-profile, sleek design provides a more modern aesthetic compared to traditional wall packs
- Full cutoff light output reduces light pollution, delivering illumination only where it is needed most
- Three housing sizes provide flexibility depending on the desired aesthetic
- Available in 3000K (warm white), 4000K (neutral white) or 5000K (cool white) color temperatures
- Optional FSP-211 motion sensor integrates directly into fixture housing
- Performs at up to 115 lumens per watt
- Type III short IES distribution

Ordering Options **Contact sales representative to order.**

FIXTURE SERIES	FINISH	WARRANTY
M464-L Modern Full Cutoff LED Wall Pack	Z Bronze ¹	- 5 Year Warranty
	W White	10 10 Year Warranty
WATTAGE/LUMENS	OPTIONS	10L 10 Year Warranty including labor
24 24W/2660 ²	T Photocell	
42 42W/4250 ²	7R NEMA 7-Pin Receptacle & Photocell ^{5,6}	
60 60W/6580 ^{2,3,8}	E Emergency Backup ⁵	
80 80W/9210 ^{2,3,8}	MS Motion Sensor w/ Dimming ^{5,6}	
CCT		
30 3000K ⁷		
40 4000K		
50 5000K		
VOLTAGE		
U 120-277V		

¹ Standard for fixture
² Delivered Lumens (4000K) - For 5000K multiply by 1.02
³ 7 pin Twist Lock only offered in 60W & 80W
⁵ Not available for 24W
⁶ M option not available in conjunction with 7R
⁷ Contact factory for lead times
⁸ Housing comes with threaded knockouts

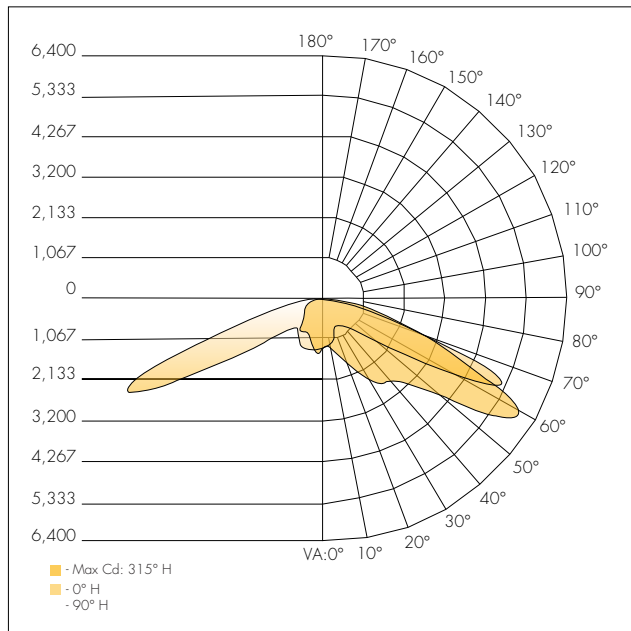
Dimensions



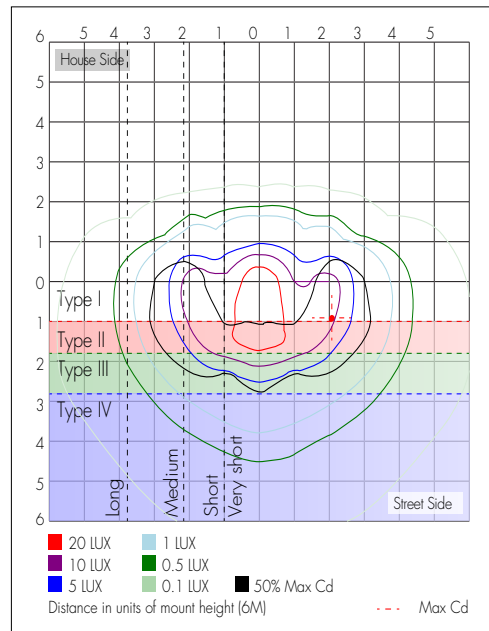
	Inches		
	24W	42W	60-80W
X₁	8.25	10.12	12.60
X₂	5.25	5.50	7.50
X₃	4.75	6.30	10.00

Photometrics

Model 80W 4000K



Isofootcandle



Zonal Lumen Summary

Zone	Lumens	% Luminaire
0-30	1,001.3	10.9%
0-40	1,763.2	19.1%
0-60	4,697.5	51%
60-90	4,497.2	48.8%
70-100	1,599.0	17.4%
90-120	11.5	0.1%
0-90	9,194.7	99.8%
90-180	17.9	0.2%
0-180	9,212.6	100%

Other Views



Top View



Front View



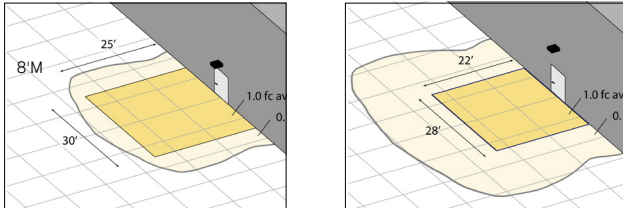
Side View

Emergency Battery Operation

The emergency battery backup (EM option) is integral to the luminaire - no external housing required! This design provides reliable emergency operation while maintaining the aesthetics of the product.

The emergency battery will power the luminaire for a minimum duration of 90 minutes (maximum duration of three hours) from the time supply power is lost, per International Building Code Section 1006 and NFPA 101 Life Safety Code Section 7.9, provided luminaires are mounted at an appropriate height and illuminate an open space with no major obstructions.

The examples below show illuminance of 1 fc average and 0.1 fc minimum of the single-engine Type IV product in emergency mode.

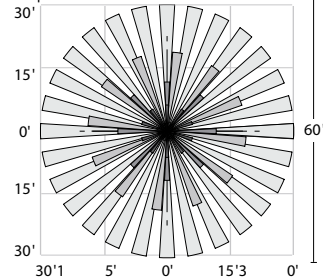


Bi-Level & Daylight Harvest PIR Sensor



- Slim, low-profile sensor is designed for installation inside the bottom of a light fixture
- Provides multi-level control based on motion and/or daylight contribution
- 30' range sensitivity detector.
- Works with ballasts or LED drivers.
- Adjustable light levels and stand-by time
- Constructed out of fire retardant polycarbonate material that is UV and impact resistant

Top View - L3 Lens



Side View - L3 Lens

