

rovia™

RR | RECESSED LUMINAIRE

OVERVIEW

Lumens

Delivers up to 17,000 lumens (88+ LPW)

CRI

80+

CCT

2700K, 3000K, 3500K, 4000K, 5000K

Voltage

120-277V

Dimming

0-10V dimming standard

Operating Temperature

-26°F to +110°F
(-32°C to +43°C)


Projected Lifetime

>100,000 Hours (L70);
>80,000 Hours (L80)

Standard Finishes

Matte
White

Gloss
White

 Custom colors available.



The Rovia™ Recessed luminaire combines quality illumination with a seamless, modern aesthetic that seamlessly integrates into contemporary interiors. With sizes up to 5 feet in diameter, it elevates the design of offices, lobbies, retail spaces, libraries, and themed areas.

Features

- Wide range of diameters from 14" to 5' in diameter, catering to diverse spatial needs.
- White acrylic diffuser lens ensures gentle, ambient illumination, optimizing visual comfort.
- Versatile options: choose between flat, concave, or convex lens styles, allowing customization to suit specific preferences.
- Robust construction: two-piece, die-formed, spun aluminum housing ensures durability and longevity.
- Aesthetic flexibility: standard Gloss or Textured White finishes complement various design schemes, with the option for custom colors to match unique aesthetics.
- Advanced electrical performance: Power Factor > 0.90 and Total Harmonic below 20% ensure efficient and reliable operation, promoting energy savings and minimizing electrical disturbances.

10 YR

Warranty
Available*

BAA

Compliant
Available

BUILD WORKSHEET

Contact sales representative to order.

Sample Code: RR5H35FUMX

RR						U		
1	2	3	4	5	6	7	8	

CODE DEFINITIONS

1. SERIES	2. DIAMETER	3. OUTPUT*	4. CCT	5. LENS
RR Rovia™ Recessed	1 14IN	L Low	27 2700K	F White Acrylic Diffuser Flat
	2 2FT	M Mid	30 3000K	C White Acrylic Diffuser Concave
	3 3FT	H High	35 3500K	V White Acrylic Diffuser Convex
	4 4FT		40 4000K	
	5 5FT		50 5000K	

6. VOLTAGE	7. FINISH	8. OPTION
U 120-277V	M Matte White	X None
	G Gloss White	E Emergency ²
	CC Custom color code provided on item number later ¹	

* See Page 3 for output information.
¹ Consult with sales representative for custom finishes and lead time.
² 14IN and 2FT = 8W EM, 3FT and Larger = 16W EM.
³ 5 Year Warranty is Standard unless specified

10 YR <small>Warranty Available³</small>	BAA <small>Compliant Available</small>
---	--

Project: _____
Catalog #: _____
Quantity: _____ Date: _____

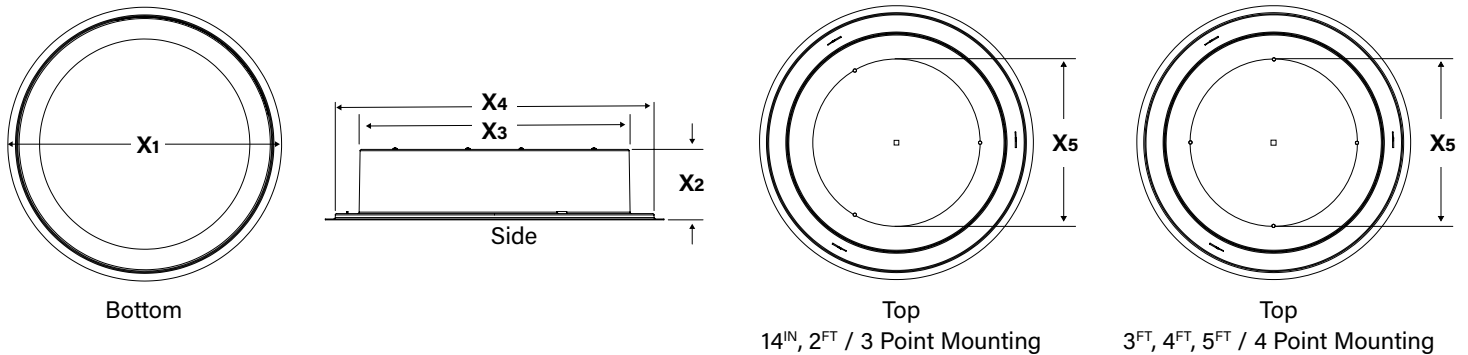
WATTAGE/LUMEN CHART*

Lumen outputs shown are for 5000K.

Size	14IN	2FT	3FT	4FT	5FT
LOW					
Wattage	20W	40W	80W	115W	155W
Lumens	1760	3520	7040	10120	13640
MID					
Wattage	25W	55W	100W	135W	175W
Lumens	2200	4840	8800	11880	15400
HIGH					
Wattage	40W	80W	120W	155W	175W
Lumens	3520	7040	10560	13640	17160

*For other color temps, use the following lumen factors: 4000K: 0.90 • 3500K: 0.80 • 3000K: 0.75

DIMENSIONS



Size	14IN	2FT	3FT	4FT	5FT
Trim Diameter - X1	18.3"	31.3"	41"	52"	63.8"
Height - X2	6.5"	6.5"	7.6"	7.9"	8.3"
Recessed Clearance A - X3	13"	25"	34.8"	45.8"	57"
Recessed Clearance B - X4	16.4"	29.4"	39.2"	50.2"	62"
Mounting - X5	10.3"	19"	26"	36"	47"

KEY	
	Power Feed
	Mounting

PHOTOMETRICS

Coefficients of Utilization
Effective Floor Cavity Reflectance: 20%

RC RW	80				70				50			30			10			0
	70	50	30	10	70	50	30	10	50	30	10	50	30	10	50	30	10	0
0	109	109	109	109	102	102	102	102	88	88	88	76	76	76	64	64	64	59
1	100	95	91	88	93	89	86	82	77	75	72	67	65	63	57	55	54	49
2	91	83	77	71	84	78	72	67	68	63	60	58	55	52	50	47	45	41
3	83	73	65	59	77	68	62	56	59	54	50	51	47	44	44	41	38	35
4	75	64	56	50	70	60	53	47	53	47	42	46	41	38	39	36	33	30
5	69	57	49	43	64	54	46	41	47	41	37	41	36	33	35	31	29	26
6	64	51	43	37	59	48	41	35	42	36	32	37	32	28	32	28	25	22
7	59	46	38	32	55	44	36	31	38	32	28	34	29	25	29	25	22	20
8	55	42	34	29	51	40	32	27	35	29	25	31	26	22	27	23	20	18
9	51	38	31	26	47	36	29	24	32	26	22	28	23	20	24	21	18	16
10	48	35	23	23	44	33	27	22	30	24	20	26	21	18	23	19	16	14

Zonal Lumen Summary

Zone	Lumens	% Luminaire
0-20	2144.45	7.60
0-30	4556.08	16.10
0-40	7466.38	26.40
0-60	13212.98	46.70
0-80	16349.7	57.80
0-90	16620.69	58.80
10-90	16065.9	56.80
20-40	5321.93	18.80
20-50	8344.03	29.50
40-70	7789.1	27.50
60-80	3136.73	11.10
70-80	1094.22	3.90
80-90	270.99	1.00
90-110	946.11	3.30
90-120	2380.52	8.40
90-130	4290.72	15.20
90-150	8454.26	29.90
90-180	11652.32	41.20
110-180	10706.21	37.90
0-180	28273.01	100.00

5FT
High Output Direct,
4000K

Maximum Candela = 5863.465
Located At Horizontal Angle = 0,
Vertical Angle = 0
1 - Vertical Plane Through
Horizontal Angles (0 - 180)
(Through Max. Cd.)
2 - Horizontal Cone
Through Vertical Angle (0)
(Through Max. Cd.)

