

STADIUM LIGHTS - SDL1 - 400W-600W

INSTALLATION INSTRUCTIONS



PLEASE USE A QUALIFIED ELECTRICIAN FOR INSTALLATION. Read the instructions before installing or use of the luminaire.

GENERAL: ALL ELECTRICAL CONNECTIONS MUST BE IN ACCORDANCE WITH LOCAL AND NATIONAL ELECTRICAL CODE (N.E.C.) STANDARDS. IF YOU ARE UNFAMILIAR WITH PROPER ELECTRICAL WIRING CONNECTIONS OBTAIN THE SERVICES OF A QUALIFIED ELECTRICIAN.

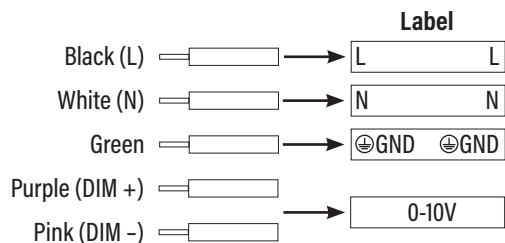
- **WARNING** - Risk of fire or electric shock. Installation requires knowledge of luminaires electrical systems. If not qualified, do not attempt installation; contact a qualified electrician.
- **WARNING** - Risk of fire or electric shock. Install luminaires that have the construction features and dimensions shown in the photographs and/or drawings and where the voltage input rating of the does not exceed the voltage input rating of the luminaire.
- **WARNING** - To prevent wiring damage or abrasion, do not expose wiring to edges of sheet metal or other sharp objects.
- **WARNING** - Follow all applicable safety procedures and use personal protective equipment, such as; hardhats, safety glasses, reflective vests, electrical safety gloves, fall protection equipment and safety toe boots during the installation, operation and maintenance of the luminaire.
- **WARNING** - Risk of Eye Injury: Eye protection is required at all times during installation, operation and maintenance of the luminaire. The high intensity light produced by the luminaire can cause severe damage to the eye if viewed directly at close range. Avoid being close in front of a luminaire that is on and looking at it, or wear suitable light blocking protective eye wear, such as welding goggles.
- Do not make or alter any open holes in an enclosure of wiring or electrical components during installation.
- Risk of Electric Shock: Disconnect power or circuit breaker before installing or servicing.
- Before installation, please check if the local voltage range corresponds with the working voltage of the fixture.
- If the fixture is damaged, it should be replaced by the supplier, a service agent or a qualified person.
- Do not use where exposed to flame, electric shock, or high vibration.
- Suitable for wet locations.
- Ambient operating temperature range: -40°F to 122°F

GENERAL INFORMATION



WARNING DISCONNECT POWER BEFORE INSTALLING OR SERVICING.

WIRING DIAGRAM



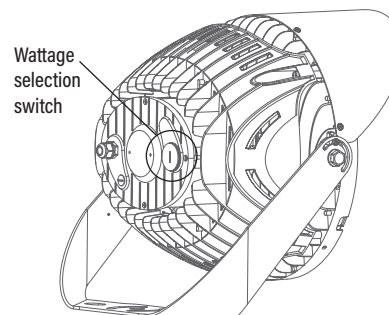
**Note: For non-dimming applications, cap the purple and pink dimming wires separately..*

Important: Always power off the fixture before performing any work on control wiring. Turn off transmitters before working on main control lines. Working on control connections while the fixture is receiving a signal may cause transient or unstable control signals, potentially leading to internal damage or failure of the luminaire. Failure to follow this warning can result in permanent damage, and void warranty.

ELECTRICAL LOAD

WATTAGE	CURRENT (A)					
	120V	208V	240V	277V	347V	480V
400W	3.67	2.12	1.83	1.59	1.27	0.92
500W	4.58	2.64	2.29	1.99	1.59	1.15
600W	5.5	3.18	2.76	2.38	1.90	1.38

FIELD ADJUSTABLE WATTAGE



The fixture includes an integrated 3-position slide switch located on the back, allowing end users to select from three wattage settings.

To adjust:

1. Remove the plug covering the access hole.
2. Use your finger or a screwdriver to slide the switch to the desired wattage setting.
3. Once selected, reinstall and tighten the plug to cover the hole.

EPA RATING (FT²)

WATTAGE	FRONT	SIDE	TOP
400W/500W/600W	1.28	0.85	1.36

STADIUM LIGHTS - SDL1 - 400W-600W

INSTALLATION INSTRUCTIONS

PQL
PREMIUM QUALITY LIGHTING®

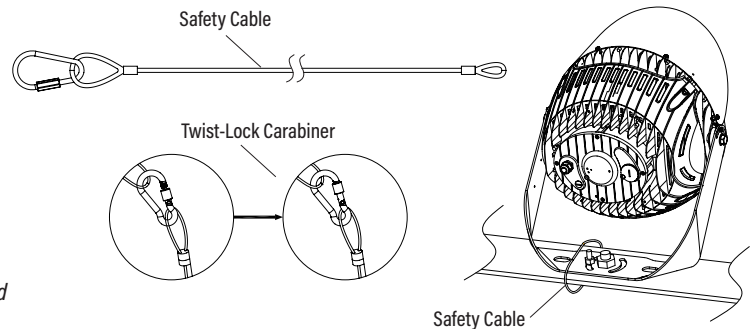
SAFETY REQUIREMENT FOR INSTALLATION *(Safety Cable not included, provided by installer.)*



WARNING DISCONNECT POWER BEFORE INSTALLING OR SERVICING.

1. A safety system appropriate for the luminaire's weight is required for installations.
2. Route the cable through the cable port located on the bottom edge of the fixture, through the mounting arm bracket, and around the support structure.
3. Mounting surfaces (brackets or holes) must be free of sharp edges. Never attach the safety cable to electrical conduit, power or HVAC equipment, other fixtures, fragile surfaces, or anything not engineered to support heavy loads.
4. The safety cable must be replaced immediately if any of the following occur:
 - a. The cable was stretched due to a luminaire fall.
 - b. The steel cable shows signs of breakage or fraying.

Note: The safety cable is intended to prevent the luminaire from falling but is not designed for long-term suspension.



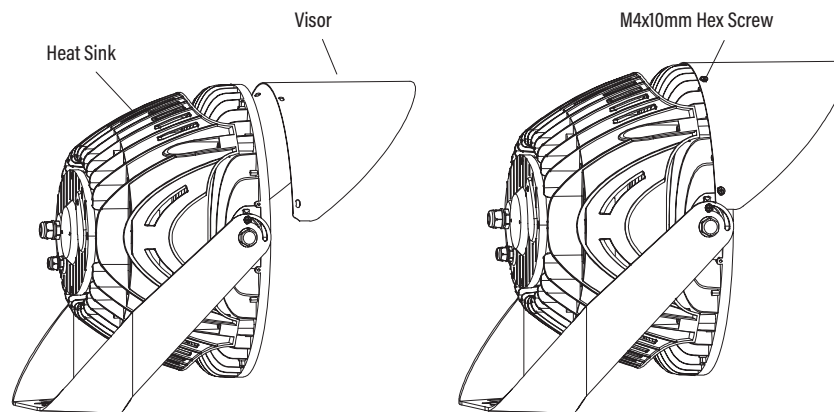
INSTALLATION



WARNING DISCONNECT POWER BEFORE INSTALLING OR SERVICING.

STEP 1 - ATTACH GLARE SHIELD

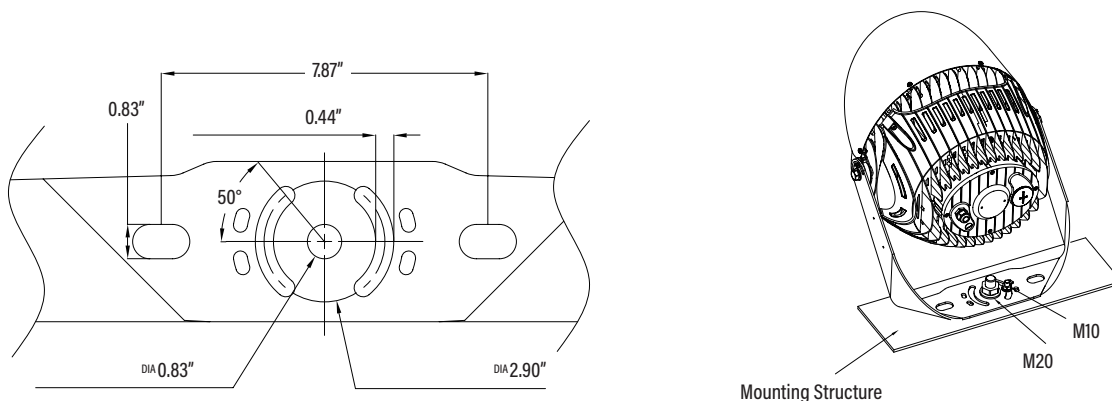
Using the M4x10mm screws attach shield to the luminaire.



STEP 2 - MOUNTING LUMINAIRE

1. Place fixture on the mounting surface.
2. Insert M20, M10 and washers into bracket. *(Provided by installer.)* Tighten the bolts hand tight so luminaire is secured to the mounting surface but still allow adjustment. Do not fully torque down until desired position is set.

MOUNTING DIAGRAM



STADIUM LIGHTS - SDL1 - 400W-600W

INSTALLATION INSTRUCTIONS

PQL
PREMIUM QUALITY LIGHTING®

INSTALLATION



WARNING DISCONNECT POWER BEFORE INSTALLING OR SERVICING.

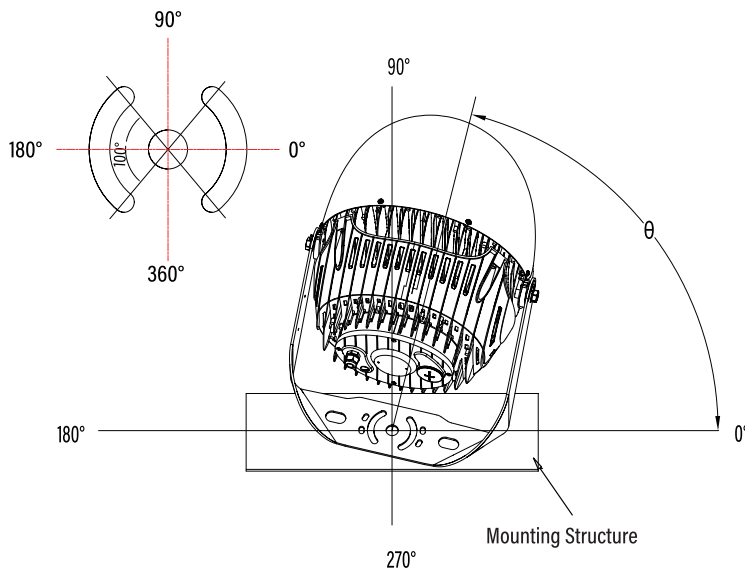
STEP 3 - AIMING THE LUMINAIRE

This technique involves turning the luminaire to predetermined angles before the lighting pole is lifted up and set place. The orient angle refers to the direction of the luminaire faces on the horizontal-plane (left/right). Mount the luminaire to the structure but leave the mounting bolts slightly loose to allow spinning flexibility of the mounting bracket.

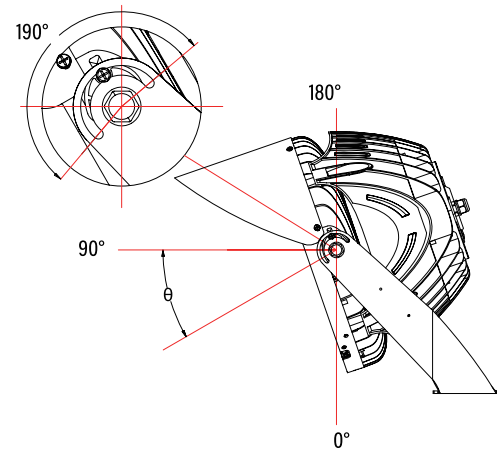
Once fixture is oriented, securely tighten down mounting bracket.

Tilt angle refers to the direction the luminaire faces on the vertical-plane (up/down). When the luminaire is securely mounted to the structure so that the mounting bracket does not move, then the hex set screws are loosened, the fixture may rotate up inside the mounting bracket. Set the luminaire tilt angle by rotating the fixture relative to the luminaire mounting structure. **Once tilt is in the proper position, securely tighten down hex set screws, and then recheck that all the other screws and bolts are tightened.**

ORIENTATION



TILT

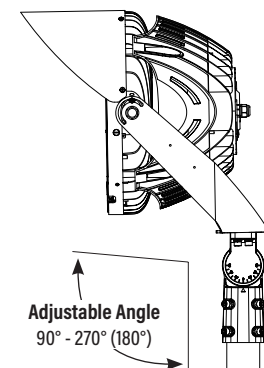
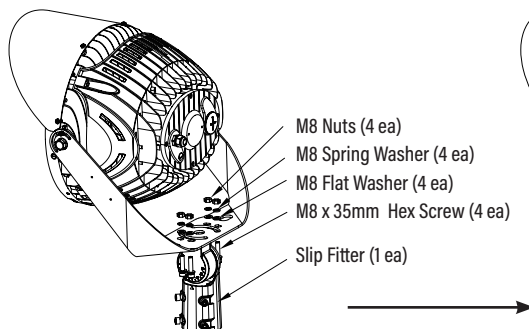
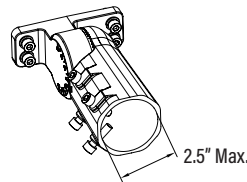


SLIP FITTER BRACKET (Sold Separately)



WARNING DISCONNECT POWER BEFORE INSTALLING OR SERVICING.

1. Secure fixture in slip fitter.
2. Place slip fitter on light pole. Tighten the bolts hand tight so luminaire is secure but allows adjustment.
3. Adjust fixture to desired angle.
4. Fully tighten all bolts to secure fixture.



STADIUM LIGHTS - SDL1 - 400W-600W

INSTALLATION INSTRUCTIONS



MAINTENANCE



WARNING DISCONNECT POWER BEFORE INSTALLING OR SERVICING.

All luminaires are finished with a durable powder-coated coating. For exterior fixtures, the finish may naturally weather over time depending on environmental conditions at the installation site. Regular care helps maintain both performance and appearance.

To ensure optimal light output and thermal performance, follow a routine maintenance schedule. Failure to perform preventative maintenance may void the product warranty. Neglecting this minimum maintenance requirement is considered non-compliance, as outlined in your warranty documentation.

WARNING - Inspection of Hardware

Inspect mounting system and products at least once every 12 months. Replace all rusted hardware elements.

CLEANING

- Clean all luminaires at least once every 12 months from the date of delivery.
- Remove dirt, leaves, and any debris from the luminaire housing, especially around heat-sink fins, to maintain proper airflow.
- Wipe optical lenses with a clean, dry cotton cloth. Use a non-abrasive optical cleaner or water as needed.
- Avoid applying any cleaners in direct sunlight or when the fixture is hot.

TROUBLESHOOTING



WARNING DISCONNECT POWER BEFORE INSTALLING OR SERVICING.

PROBLEM	RECOMMENDED ACTION
Luminaire does not power on	<ul style="list-style-type: none">• Confirm the power supply is on, providing the correct and stable voltage.• Check all connections at both the power source and the fixture.• Ensure the control signal is active and set above 50%.
Luminaire does not respond to controls	<ul style="list-style-type: none">• Reset the fixture by turning off all power sources for at least 10 seconds.• Inspect all control wiring for loose connections, damage, or breaks.

If the system is not operating as expected, follow these steps to begin troubleshooting:

GATHER INFORMATION

Start by collecting as much detail about the issue as possible. Consider the following questions:

- 1. How many fixtures are affected?** If only one fixture is unresponsive, focus your investigation there. If multiple fixtures are affected, begin at the power or control source for that group.
- 2. Have there been any recent external influences?** Determine if riggers, electricians, or other personnel were working near the fixtures or controls. Check for recent power disturbances, such as lightning storms or electrical surges.
- 3. Are the fixtures responding to control input?** Test the system using different control scenes, including "all on" and "all off" (blackout mode). Note any fixtures that do not respond correctly to these commands.

Additional warranty information can be found online at: www.pqlighting.com