

STADIUM LIGHTS - SDL1 - 680W-1000W

INSTALLATION INSTRUCTIONS



PLEASE USE A QUALIFIED ELECTRICIAN FOR INSTALLATION. Read the instructions before installing or use of the luminaire.

GENERAL: ALL ELECTRICAL CONNECTIONS MUST BE IN ACCORDANCE WITH LOCAL AND NATIONAL ELECTRICAL CODE (N.E.C.) STANDARDS. IF YOU ARE UNFAMILIAR WITH PROPER ELECTRICAL WIRING CONNECTIONS OBTAIN THE SERVICES OF A QUALIFIED ELECTRICIAN.

WARNING, CAUTIONS AND OPERATING INSTRUCTIONS

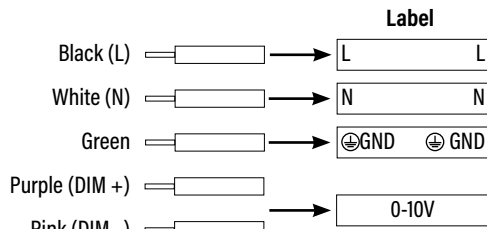
- Risk of fire or electric shock. Installation requires knowledge of luminaires electrical systems. If not qualified, do not attempt installation; contact a qualified electrician.
- Risk of fire or electric shock. Install luminaires that have the construction features and dimensions shown in the photographs and/or drawings.
- Risk of Electric Shock: Disconnect power or circuit breaker before installing or servicing.
- To prevent wiring damage or abrasion, do not expose wiring to edges of sheet metal or other sharp objects.
- Follow all required safety procedures and use appropriate PPE, including hard hats, safety glasses, reflective vests, electrical gloves, fall-protection gear, and safety-toe boots during installation, operation, and maintenance.
- Risk of Eye Injury: Wear eye protection at all times. The high-intensity output can cause severe damage if viewed directly at close range. Avoid standing directly in front of an operating luminaire or use suitable light-blocking eyewear, such as welding goggles.
- Allow the fixture to cool before handling. Incorrect installation may cause overheating, damage, or instability.
- Do not make or alter any open holes in an enclosure of wiring or electrical components during installation.
- Before installation, please check if the local voltage range corresponds with the working voltage of the fixture.

- If the fixture is damaged, it should be replaced by the supplier, a service agent or a qualified person.
- Fixture relies on stable, clean power. The supply transformer must be three-phase, four-wire wye or single-phase. Ungrounded delta systems are not permitted. Correct any power-quality issues before installation.
- Use proper grounding practices per NEC requirements. Ensure phase balancing. If grounding or load balance is uncertain, stop installation and consult a licensed electrician.
- Do not relocate the green equipment-grounding conductor.
- Install surge protection on distribution circuits feeding LED sports lighting to prevent fixture damage.
- Branch circuit voltage must remain within $\pm 4\%$ of nominal and free of sags, swells, and transients.
- Do not relocate green ground wire.
- Suitable for wet locations.
- Ambient operating temperature range: -40°F to 122°F
- Default response: Fixtures will turn on to 100% full on when the AC power is applied. When initial AC power is applied, the luminaires may have a fraction of a second delay and appear staggered starting for banks of lights. The minimum light output is 10%; therefore if the range is 0,10%-100% a slight jump in light output may be perceived when dimmed up from 0 (blackout).
- Advanced functionality: It is recommended that any advanced or fast-dynamic scenes are controlled up from blackout to a value greater than 40%, and have a delay longer than 100ms between transitions, otherwise strobe or chase scenes may appear staggered.

GENERAL INFORMATION



WIRING DIAGRAM



**Note: For non-dimming applications, cap the purple and pink dimming wires separately.*

Important: Always power off the fixture before performing any work on control wiring. Turn off transmitters before working on main control lines. Working on control connections while the fixture is receiving a signal may cause transient or unstable control signals, potentially leading to internal damage or failure of the luminaire. Failure to follow this warning can result in permanent damage, and void warranty.

ELECTRICAL LOAD

WATTAGE	INPUT CURRENT MAX. (A)
680W	3.5
750W	3.9
800W	4.2
1000W	5.3

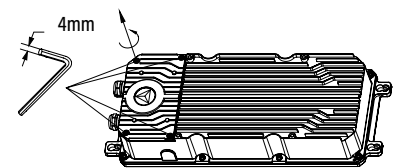
EPA RATING (FT²) Without Visor

WATTAGE	FRONT	SIDE
680W/750W/800W	1.92	0.8
800W/900W/1000W		

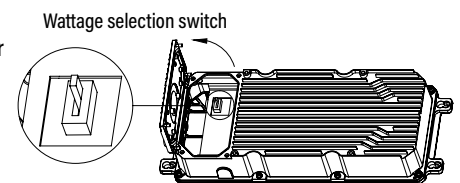
FIELD ADJUSTABLE WATTAGE

The fixture includes an integrated 3-position slide switch located on the back, allowing end users to select from three wattage settings.

1. Turn off power before making any adjustments.

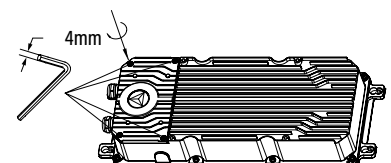


2. Open compartment on driver box.



3. Use your finger or a screwdriver to slide the switch to the desired wattage setting.

4. Once selected, close compartment on driver box, and tighten with allen head wrench.



STADIUM LIGHTS - SDL1 - 680W-1000W

INSTALLATION INSTRUCTIONS

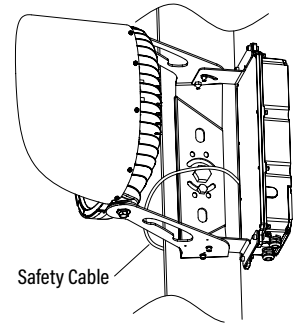
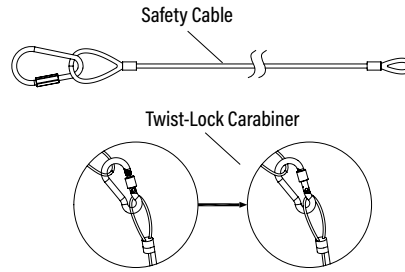


SAFETY REQUIREMENT FOR INSTALLATION *(Safety Cable not included, provided by installer.)*

WARNING DISCONNECT POWER BEFORE INSTALLING OR SERVICING.

1. A safety system appropriate for the luminaire's weight is required for installations.
2. Route the cable through the cable port located on the bottom edge of the fixture, through the mounting arm bracket, and around the support structure.
3. Mounting surfaces (brackets or holes) must be free of sharp edges. Never attach the safety cable to electrical conduit, power or HVAC equipment, other fixtures, fragile surfaces, or anything not engineered to support heavy loads.
4. The safety cable must be replaced immediately if any of the following occur:
 - a. The cable was stretched due to a luminaire fall.
 - b. The steel cable shows signs of breakage or fraying.

Note: The safety cable is intended to prevent the luminaire from falling but is not designed for long-term suspension.

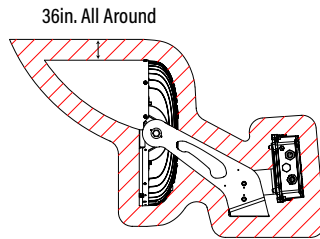


INSTALLATION

WARNING DISCONNECT POWER BEFORE INSTALLING OR SERVICING.

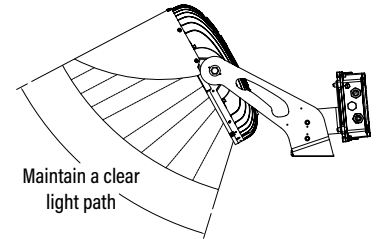
THERMAL CLEARANCE

Installer must ensure adequate clearance for heat dissipation and fire safety. Do not install in confined spaces. Keep combustibles, or structures that could inhibit airflow around the back of the fixture, at least 36 inches from the luminaire; non-combustible materials, mounting structures and adjacent fixtures may be closer.



OPTICAL CLEARANCE

Before installation, confirm each luminaire has a clear line of sight to its aiming area. Identify and address any obstructions that may block light, adjusting fixture placement as needed.

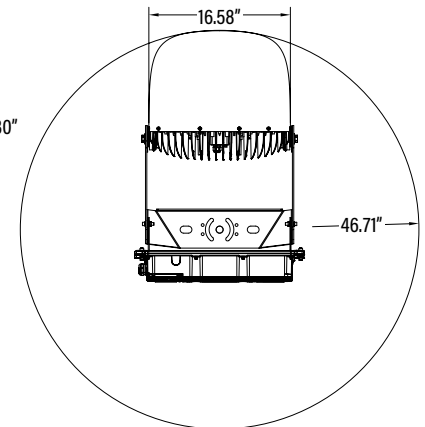
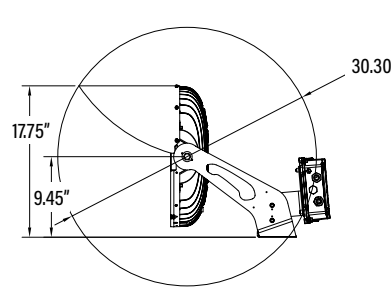
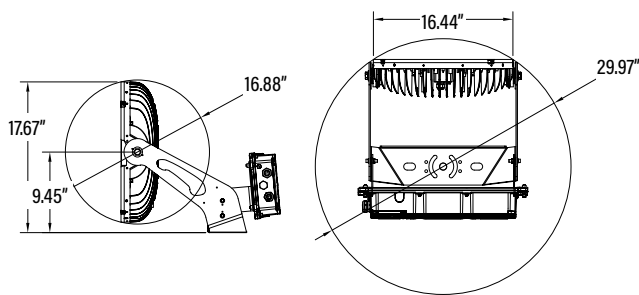


MECHANICAL CLEARANCE - OBSTRUCTIONS

Fixtures can be moved up to 5FT if aimed at the original coordinates without affecting photometrics results to any noticeable degree. For major obstructions, update photometric models or swap with a nearby fixture that has a clear line of sight. Consult your photometric designer for guidance.

WITHOUT VISOR

WITH VISOR

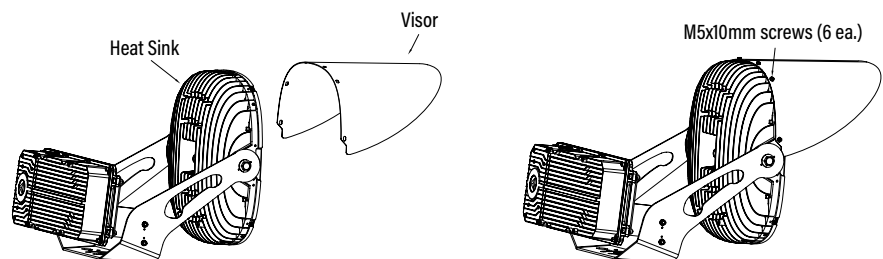


TOOLS REQUIRED

- 9/16" Socket w/ driver
- 3/4" Socket w/ driver
- 15/16" Socket w/ driver
- 1-1/18" Socket w/ driver
- Socket wrenches and/or crescent wrenches sized to fit mounting hardware.
- 4mm Allen Wrench
- 6mm Allen Wrench

STEP 1 - ATTACH GLARE SHIELD

Using the M5x10mm screws attach shield to the luminaire.



STADIUM LIGHTS - SDL1 - 680W-1000W

INSTALLATION INSTRUCTIONS



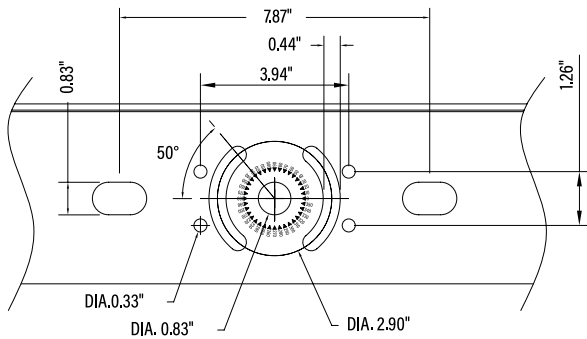
INSTALLATION

WARNING DISCONNECT POWER BEFORE INSTALLING OR SERVICING.

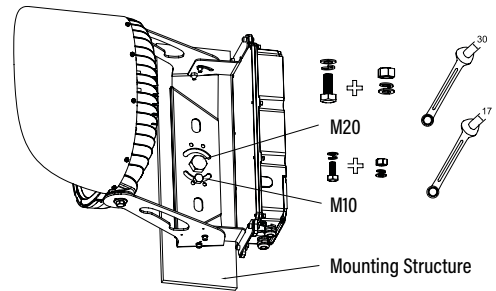
STEP 2 - MOUNTING LUMINAIRE

1. Place fixture on the mounting surface.
2. Choose one of the mounting options and insert bolts, and washers into bracket. (*Provided by installer.*) Tighten the bolts hand tight so luminaire is secured to the mounting surface but still allow adjustment. Do not fully torque down until desired position is set.

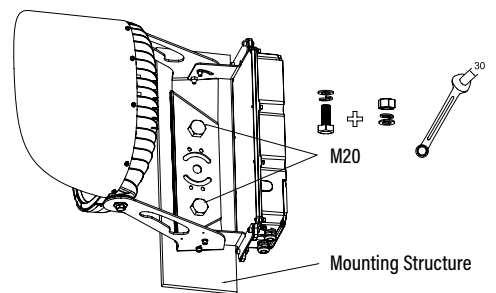
MOUNTING DIAGRAM



OPTION 1



OPTION 2



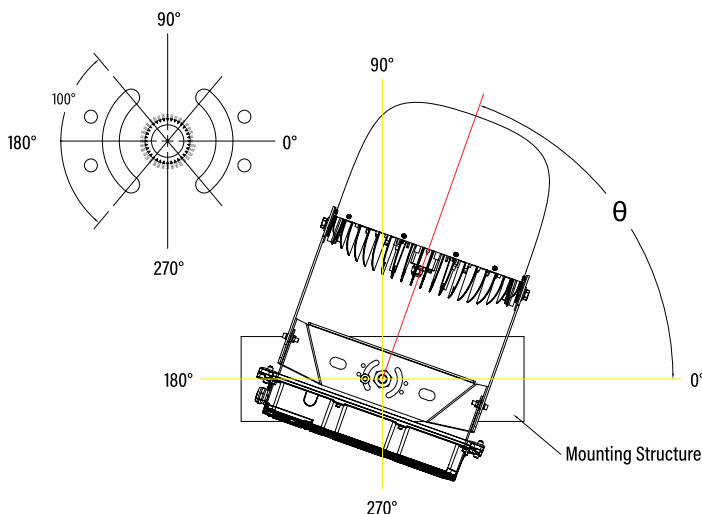
STEP 3 - AIMING THE LUMINAIRE

This technique involves turning the luminaire to predetermined angles before the lighting pole is lifted up and set place. The orient angle refers to the direction of the luminaire faces on the horizontal-plane (left/right). Mount the luminaire to the structure but leave the mounting bolts slightly loose to allow spinning flexibility of the mounting bracket.

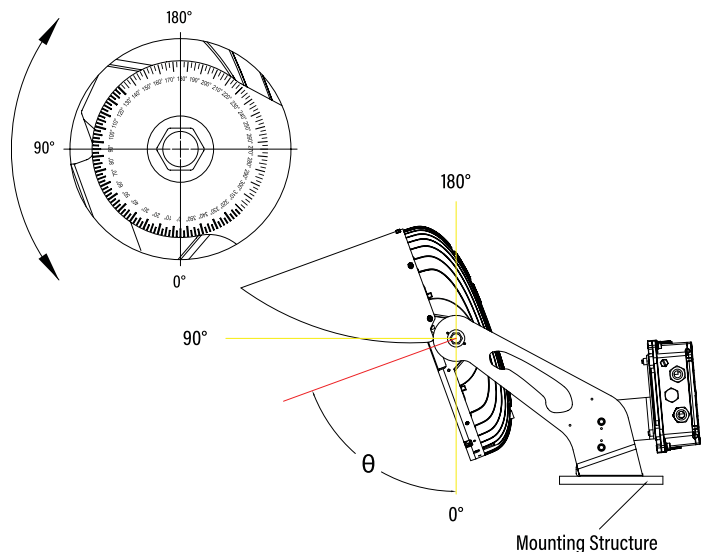
Once fixture is oriented, securely tighten down mounting bracket.

Tilt angle refers to the direction the luminaire faces on the vertical-plane (up/down). When the luminaire is securely mounted to the structure so that the mounting bracket does not move, then the hex set screws are loosened, the fixture may rotate up inside the mounting bracket. Set the luminaire tilt angle by rotating the fixture relative to the luminaire mounting structure. **Once tilt is in the proper position, securely tighten down hex set screws, and then recheck that all the other screws and bolts are tightened.**

ORIENTATION



TILT



STADIUM LIGHTS - SDL1 - 680W-1000W

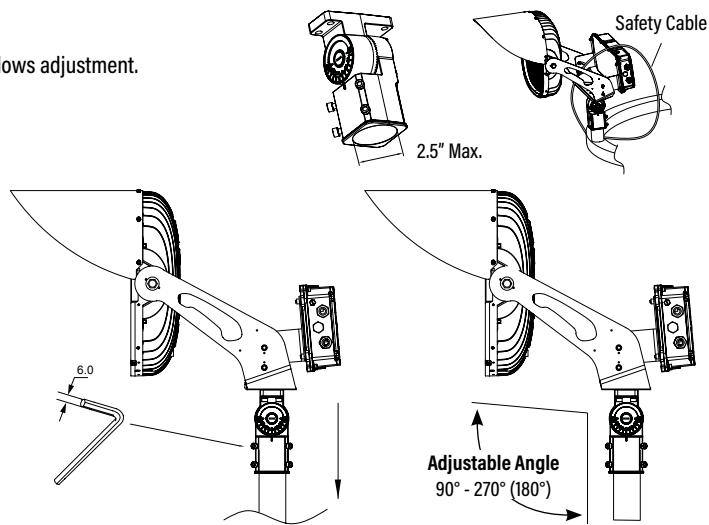
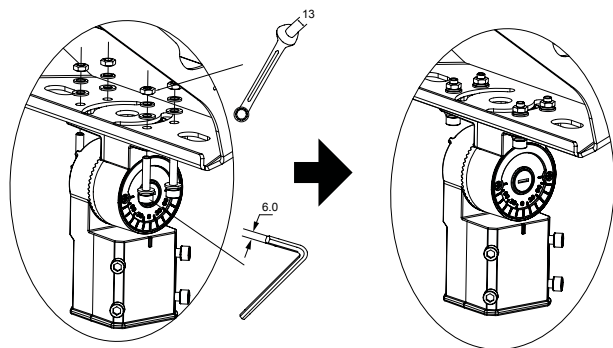
INSTALLATION INSTRUCTIONS



SLIP FITTER BRACKET (Sold Separately)

WARNING DISCONNECT POWER BEFORE INSTALLING OR SERVICING.

1. Secure fixture in slip fitter.
2. Place slip fitter on light pole. Tighten the bolts hand tight so luminaire is secure but allows adjustment.
3. Adjust fixture to desired angle.
4. Fully tighten all bolts to secure fixture.



MAINTENANCE & TROUBLESHOOTING

WARNING DISCONNECT POWER BEFORE INSTALLING OR SERVICING.

MAINTENANCE

All luminaires are finished with a durable powder-coated coating. For exterior fixtures, the finish may naturally weather over time depending on environmental conditions at the installation site. Regular care helps maintain both performance and appearance.

To ensure optimal light output and thermal performance, follow a routine maintenance schedule. Failure to perform preventative maintenance may void the product warranty. Neglecting this minimum maintenance requirement is considered non-compliance, as outlined in your warranty documentation.

WARNING - Inspection of Hardware

Inspect mounting system and products at least once every 12 months. Replace all rusted hardware elements.

CLEANING

- Clean all luminaires at least once every 12 months from the date of delivery.
- Remove dirt, leaves, and any debris from the luminaire housing, especially around heat-sink fins, to maintain proper airflow.
- Wipe optical lenses with a clean, dry cotton cloth. Use a non-abrasive optical cleaner or water as needed.
- Avoid applying any cleaners in direct sunlight or when the fixture is hot.

TROUBLESHOOTING

PROBLEM	RECOMMENDED ACTION
Luminaire does not power on	<ul style="list-style-type: none"> • Confirm the power supply is on, providing the correct and stable voltage. • Check all connections at both the power source and the fixture. • Ensure the control signal is active and set above 50%.
Luminaire does not respond to controls	<ul style="list-style-type: none"> • Reset the fixture by turning off all power sources for at least 10 seconds. • Inspect all control wiring for loose connections, damage, or breaks.

If the system is not operating as expected, follow these steps to begin troubleshooting:

GATHER INFORMATION

Start by collecting as much detail about the issue as possible. Consider the following questions:

1. **How many fixtures are affected?** If only one fixture is unresponsive, focus your investigation there. If multiple fixtures are affected, begin at the power or control source for that group.
2. **Have there been any recent external influences?** Determine if riggers, electricians, or other personnel were working near the fixtures or controls. Check for recent power disturbances, such as lightning storms or electrical surges.
3. **Are the fixtures responding to control input?** Test the system using different control scenes, including "all on" and "all off" (blackout mode). Note any fixtures that do not respond correctly to these commands.

Additional warranty information can be found online at: www.pqlighting.com