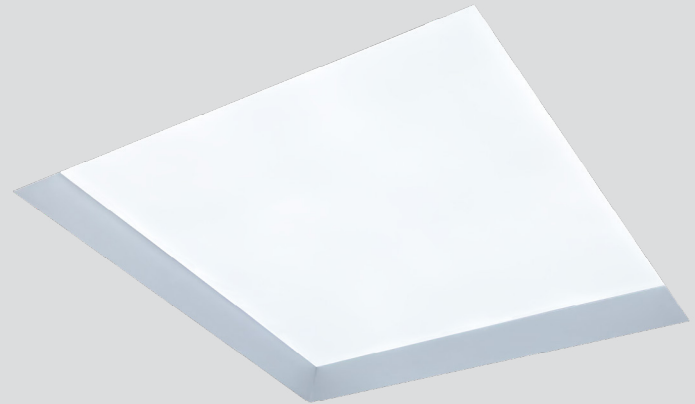


Client: _____ Order #: _____
 Project Name: _____ Type: _____ Qty: _____

SKYLIGHT

Bezel Frame Kit



Description

The Skylight is a bezel frame that provides a 1.75" regress detail to BLP™ Luminaire, creating a pleasant skylight effect that reduces glare and breaks up the visual monotony of a Suspended T Bar Ceiling with little effort and cost. The frame is shipped unassembled, and is quickly assembled using a screwdriver. An integrated screw channel allows for screws to be fastened through the t bar for seismic conditions. A mud in version of the bezel frame allows a seamless, professional look in drywall ceilings.

Features

PHYSICAL:

- Frame: Powder coated aluminum extrusion, post painted after fabrication.
- Corner Brackets: Powder coated rolled steel.

WEIGHT:

- 2x2: 0.8 lbs
- 2x4: 1.2 lbs
- 1x4: 1.0 lbs



For information and ordering regarding BLP™ specs please [CLICK HERE](#)

Ordering Information

A SERIES

SKY	Skylight Bezel Frame Kit for BLP
-----	-------------------------------------

B TYPE

B	T Bar Kit
M	Mud-in Bezel Kit

C SIZE

14	1' x 4'
22	2' x 2'
24	2' x 4'

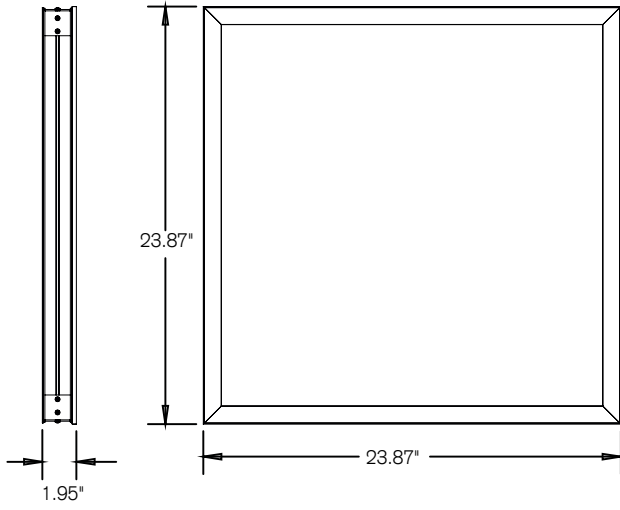
D FINISH

W	White
C	Custom ¹

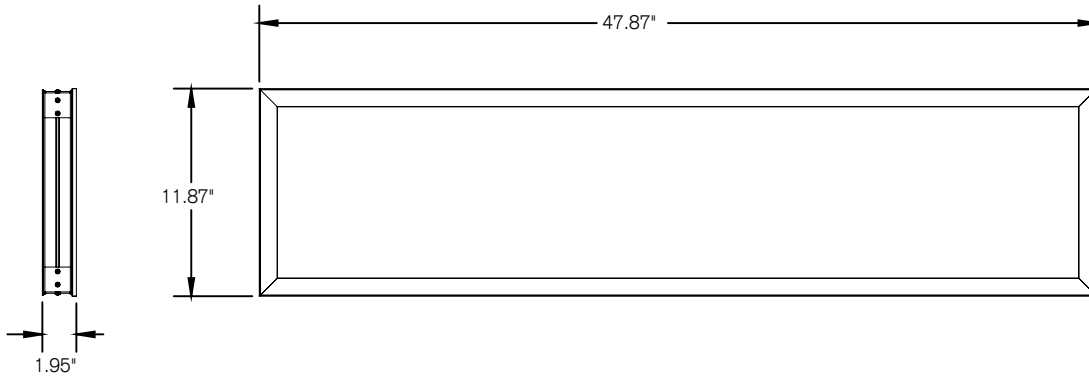
¹ Consult factory

T-Bar Dimensions

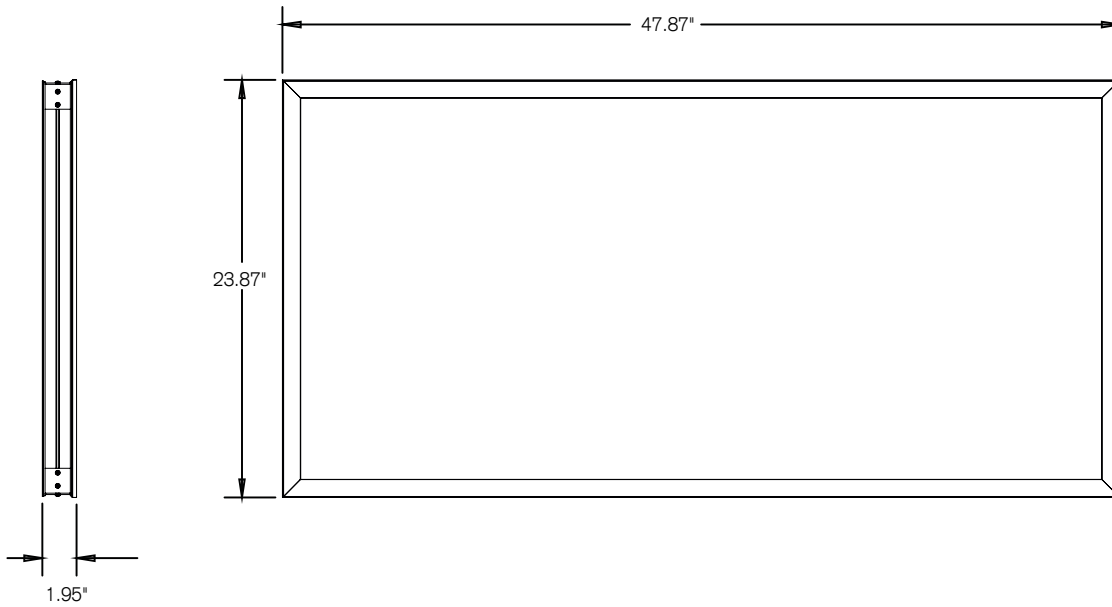
2x2'



1x4'

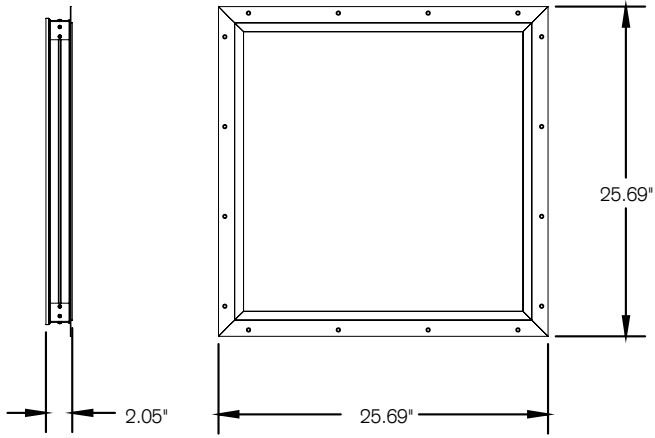


2x4'

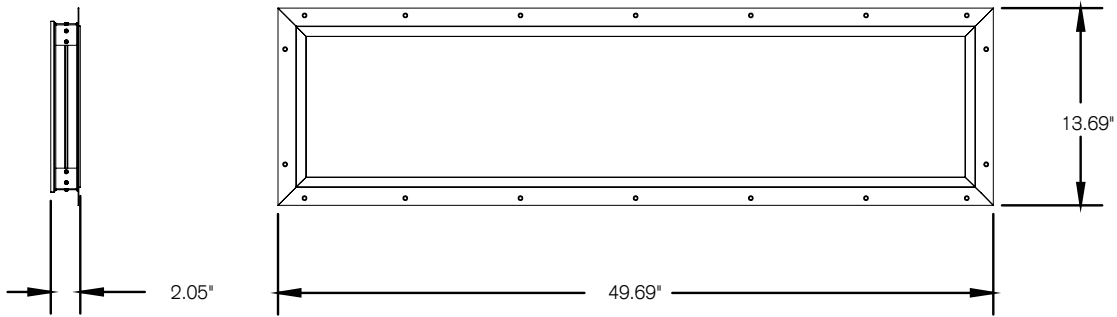


Mud In Dimensions

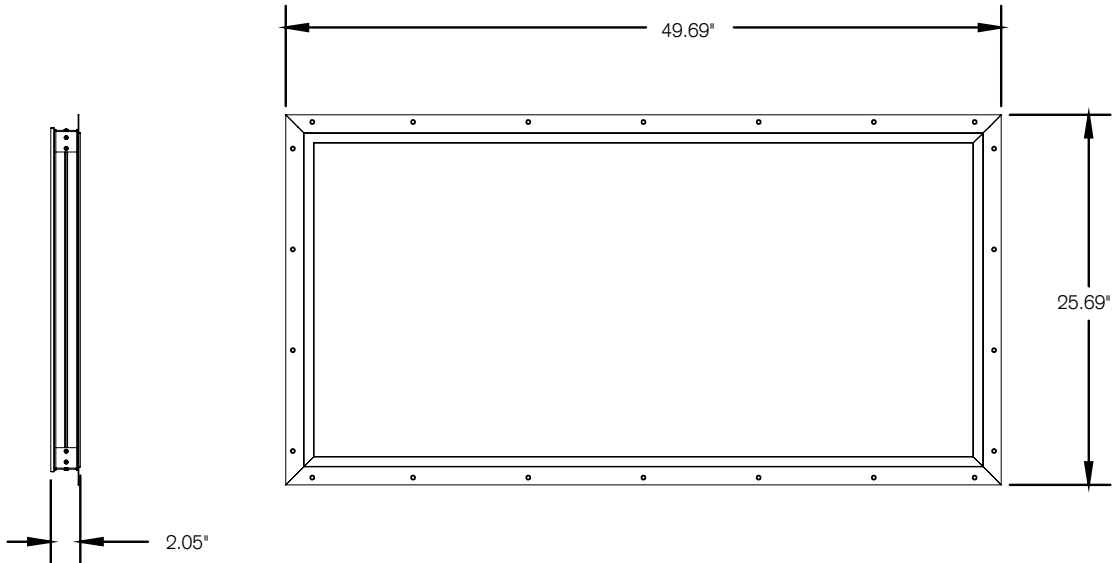
2x2'



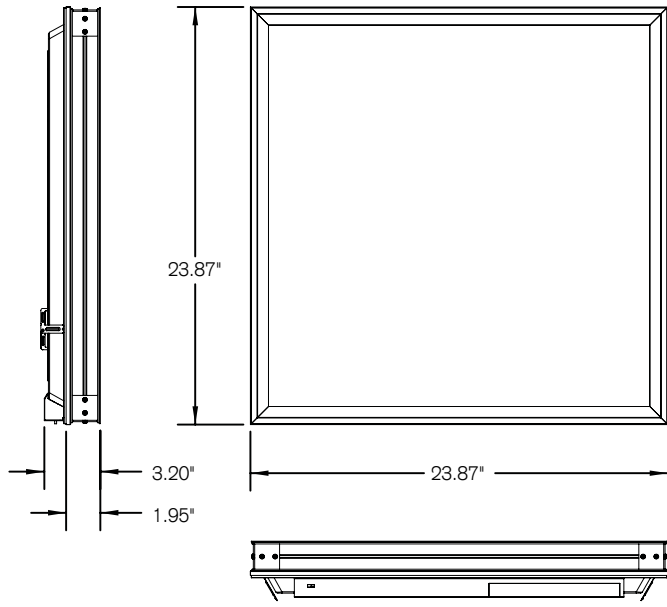
1x4'



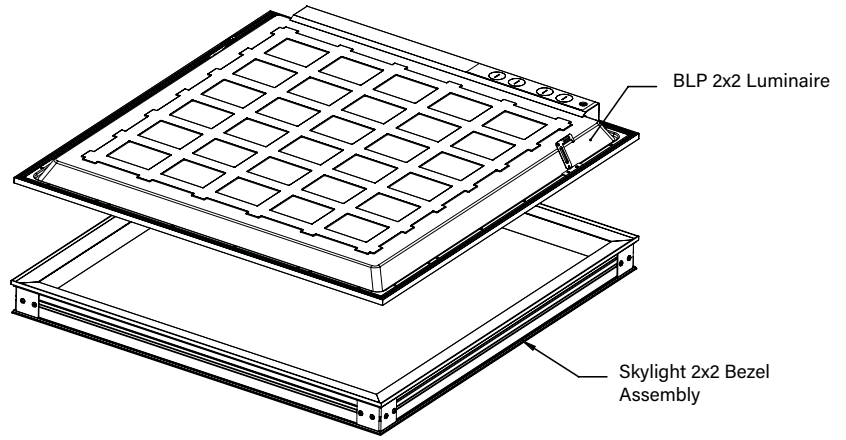
2x4'



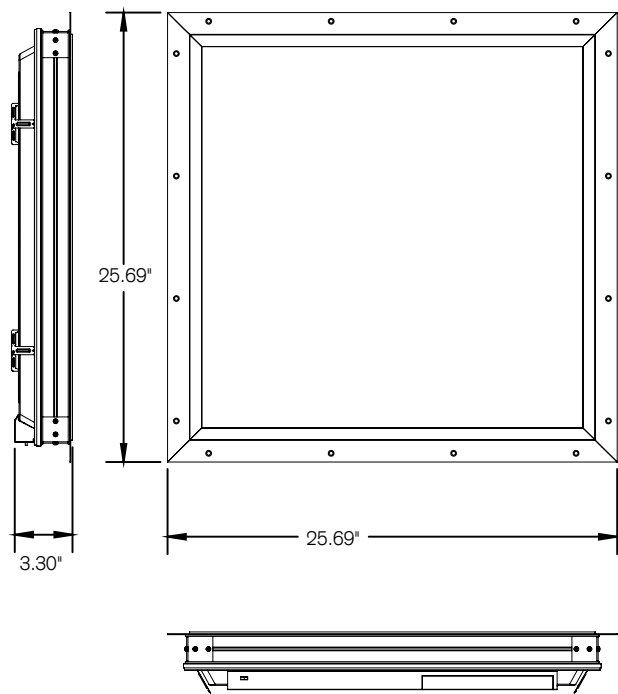
Skylight 2x2 T-Bar Assembly



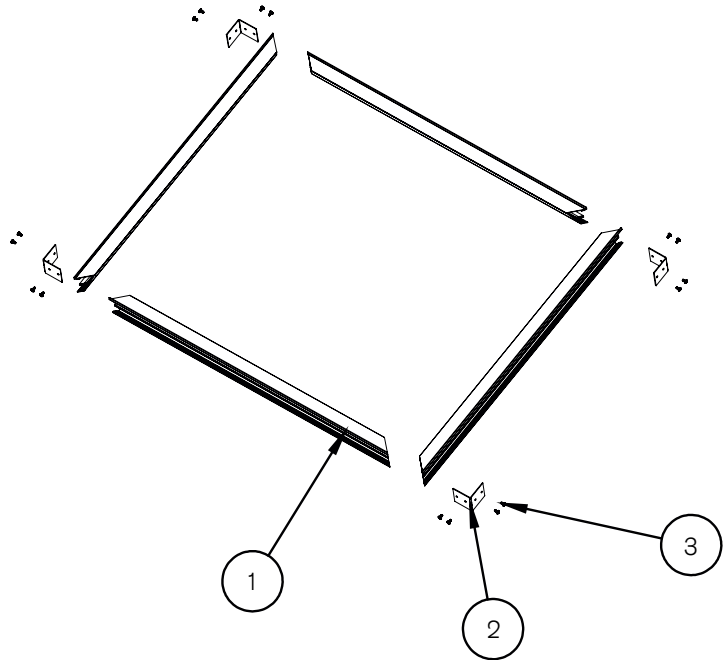
Skylight 2x2 T Bar Assembly Exploded View



Skylight 2x2 Mud In Assembly



Frame Kit Exploded View with Parts



NUMBERS	PARTS	QUANTITY
1	Frame	4
2	Corner Bracket	4
3	#8 Screw	16