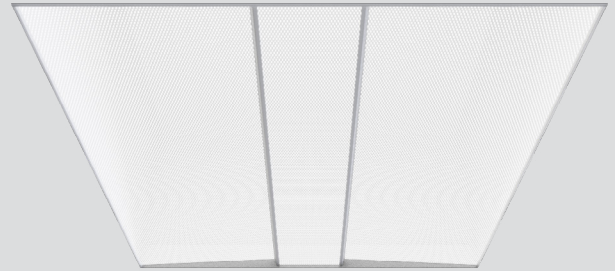


# SKYLER™ 2.0

Volumetric LED Flat Panel Luminaire

Client: \_\_\_\_\_ Order #: \_\_\_\_\_  
 Project: \_\_\_\_\_ Type: \_\_\_\_\_ Qty: \_\_\_\_\_



## Performance Data

### CRI

80+, 90+

### Tone-Select™ - CCT Selectable

3000K, 3500K, 4000K

### Projected Lifetime

>54,000 Hours (L70);  
>36,000 Hours (L90)

### Dimming

0-10V, 0%-100%

### Operating Temperature

-4F° to 104F° (-20°C to +40°C)

### Listed

Suitable for indoor, dry and damp locations.



## Description

Introducing the Skyler™ 2.0 LED luminaire: a sleek and innovative fixture designed to enhance modern interiors. With its low-profile structure, it fits perfectly in spaces with limited height and integrates seamlessly into standard grid ceilings. Using advanced backlit LED technology and micro-prismatic conical structures, it achieves a comfortable Unified Glare Rating (UGR) of 19, minimizing direct glare. This luminaire creates a gentle and cozy ambiance, ideal for various commercial settings such as offices, classrooms, retail spaces, and healthcare facilities, combining style with comfort seamlessly.

## Features

- Extruded aluminum frame powder coated white
- Light emitting surfaces are back-lit acrylic for uniform illumination
- Micro-prismatic lens delivers a Unified Glare Rating (UGR) of 19
- Die formed CRS housing, powder coated white
- Tone-Select™ allows users to select between 4000K, 3500K, and 3000K in the field by simply switching an easily accessible three position switch. Fixture comes set/standard at 40K.

## Ordering Information

### FIXTURE SERIES\*

SKYBT	Skyler™ 2 Volumetric Luminaire
SKLR	

### SIZE

14	1' x 4'
22	2' x 2'
24	2' x 4'

### WATTAGE/ LUMENS (SIZE 14)

28	28W/2800
35	35W/3500 <sup>1</sup>
40	40W/3800 <sup>1</sup>

### WATTAGE/ LUMENS (SIZE 22)

28	28W/3080 <sup>1</sup>
35	35W/3850 <sup>1</sup>
40	40W/4400 <sup>1</sup>

### WATTAGE/ LUMENS (SIZE 24)

28	28W/3080 <sup>1</sup>
35	35W/3850 <sup>1</sup>
45	45W/4950 <sup>1</sup>

### CCT

303540	3000K-3500K-4000K
--------	-------------------

### VOLTAGE

UNV	120-277V
-----	----------

### OPTIONS

E	Emergency <sup>2</sup>
---	------------------------

### WARRANTY<sup>3</sup>

-	5 Year Warranty
10	10 Year Warranty
10L	10 Year Warranty including labor

### REPLACEMENT DRIVERS

WSPZ45AD0420950	SKYBT-22-303540
WSPZ45AD0421050	SKYBT-24-303540



### Qualification Model #:

SKYBT-22-35-303540  
SKYBT-24-35-303540

\*SKYBT= 80+ CRI / SKLR = 90+ CRI

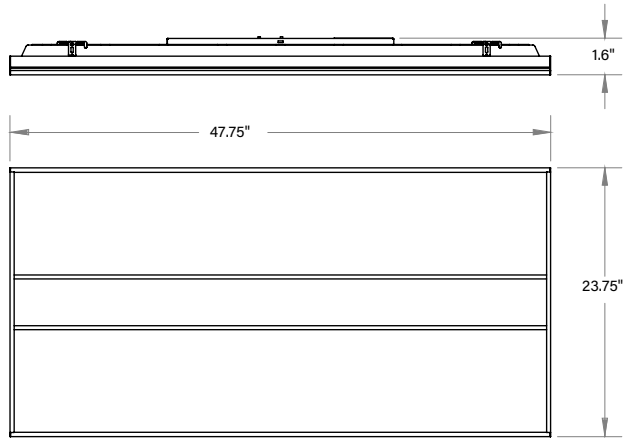
<sup>1</sup>Delivered Lumens (4000K)

<sup>2</sup>Requires plate and junction box

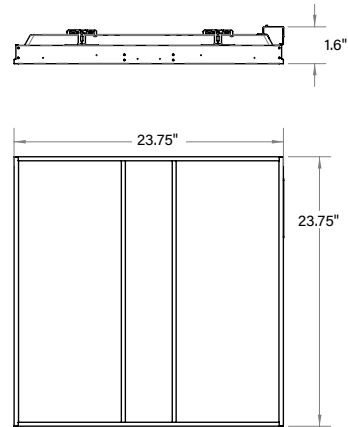
<sup>3</sup>5 Year Warranty is Standard unless specified

**Dimensions**

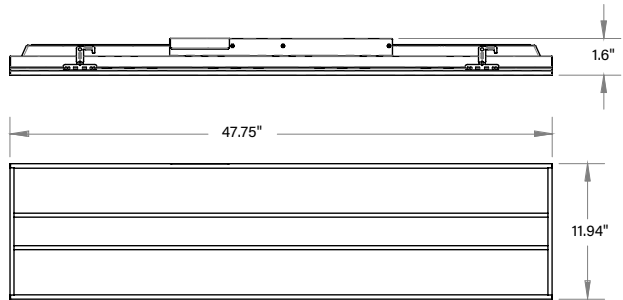
**2x4**



**2x2**



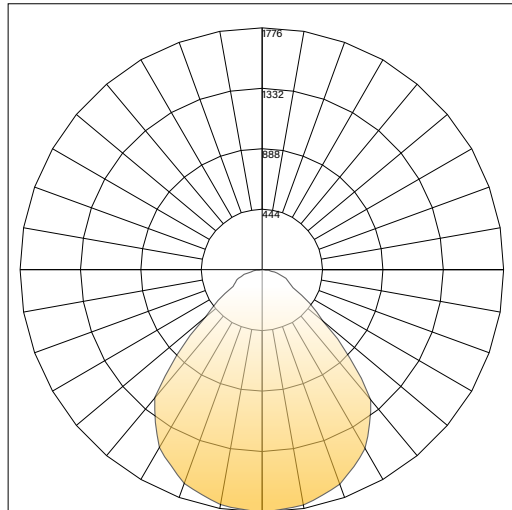
**1x4**



**Photometric**

**POLAR GRAPH**

SKYLER2-22-40-35050-U



Maximum Candela = 1776.271 Located At Horizontal Angle = 0, Vertical Angle = 0 # 1 - Vertical Plane Through Horizontal Angles (0 - 180) (Through Max. Cd.)

**COEFFICIENTS OF UTILIZATION - ZONAL CAVITY METHOD**

Effective Floor Cavity Reflectance 0.20

RC	80				70				50			30			10			0
	70	50	30	10	70	50	30	10	50	30	10	50	30	10	50	30	10	0
0	119	119	119	119	116	116	116	116	111	111	111	106	106	106	102	94	94	100
1	110	106	102	99	108	104	100	97	100	97	94	96	94	91	92	90	89	87
2	102	94	88	83	99	92	87	82	89	84	80	86	82	79	83	80	77	75
3	94	84	77	71	91	83	76	71	80	74	69	77	72	68	75	71	67	65
4	87	76	68	62	84	74	67	61	72	66	61	70	64	60	68	63	59	57
5	80	68	60	54	78	67	60	54	65	59	53	63	58	53	62	56	52	50
6	74	62	54	48	73	61	54	48	60	53	48	58	52	47	56	51	47	45
7	69	57	49	43	68	56	48	43	55	48	43	53	47	42	52	46	42	40
8	65	52	44	39	63	52	44	39	50	43	38	49	43	38	48	42	38	36
9	61	48	40	35	59	48	40	35	46	40	35	45	39	35	44	39	35	33
10	57	45	37	32	56	44	37	32	43	37	32	42	36	32	41	36	32	30

**LUMINANCE DATA (cd/sq.m)**

Angle In Degrees	Angle In Degrees	Angle In Degrees	Angle In Degrees
45	3480	3563	3912
55	1997	2897	1730
65	1424	1954	1278
75	1448	1853	1660
85	1511	1656	1244

**Unified Glare Rating (UGR)**

**LED Flat Panel with micro-prismatic technology:**

- Light is redirected from 60° to 90° degrees of luminaire, UGR 19.
- Conical structures built into the lens minimize high angle glare
- Allows for increased efficacy, rather than lumen output glaring at occupants
- High efficiency and energy saving
- Protection class: IP20 Damp Location Rated
- Increased productivity



□ = Volumetric flat panel with micro-prismatic lens will reduce glare going into the occupant's eyes — = 90° ..... = 60°

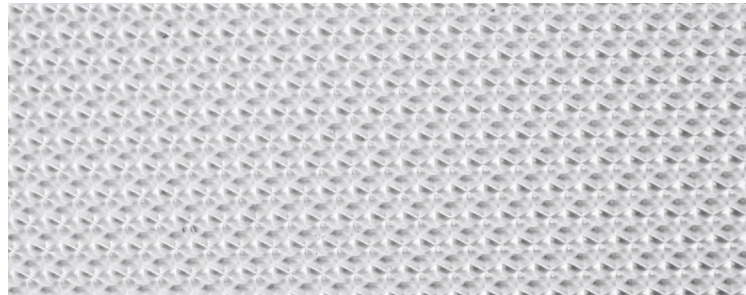
**Standard LED Flat Panel:**

- Harsh glare at viewing angles above 60°, UGR >24
- Wide beam angle at 120°
- Uncomfortable glare
- Reduction in visibility caused by intense light source in field of view
- Protection class: IP22 protects only from objects greater than 12 millimeters
- Loss of productivity



■ = High glare flat panel makes occupant's eyes feel uncomfortable — = 90° ..... = 60°

**Optics Detail**



Micro-prismatic technology redirects high-angle light, reducing visual glare. The light above 60° is suppressed to improve the Unified Glare Rating (UGR). This allows for the luminaire to meet recommended standards for office and indoor lighting.

**UGR Criteria**

UGR:	Hopkinson's Criterion:
<10	Imperceptible
<13	Just Perceptible
<16	Perceptible
<19	Acceptable
>22	Unacceptable
>25	Just Uncomfortable
>28	Uncomfortable

Micro-prismatic conical structures provide the most optimal luminance of a fixture from any viewing angle. The UGR rating 19 provides acceptable glare for task lighting.

**Close-Up View**

