

## SPECIFICATIONS



**83700**  
4.5"(L) x 3.4"(H) x 3.5"(D)



**83701**  
7.09"(L) x 5.51"(H) x 4.13"(D)



**83702**  
8.86"(L) x 7.28"(H) x 5.04"(D)



**83703**  
11.2"(L) x 9.25"(H) x 5.63"(D)

WATT	ITEM#	DESCRIPTION	COLOR	LUMENS	Lm/W	CRI	BEAM	VOLTS	LIFE	LED QTY	POWER FACTOR	INPUT CURRENT
10W	83700	10W SMALL FLOOD LIGHT/40K- 100-277V - SL®	4000K	750	75	70	120°	100-277	50,000	10	0.95	0.15A
20W	83701	20W SMALL FLOOD LIGHT/40K- 100-277V - SL®	4000K	1600	80	70	120°	100-277	50,000	18	0.95	0.3A
30W	83702	30W SMALL FLOOD LIGHT/40K- 100-277V - SL®	4000K	2700	88	70	120°	100-277	50,000	28	0.95	0.41A
50W	83703	50W SMALL FLOOD LIGHT/40K- 100-277V - SL®	4000K	3600	72	70	120°	100-277	50,000	40	0.95	0.75A

## SAFETY INSTRUCTIONS

Read instructions carefully before attempting to install fixture. Retain instruction for future reference.

Disconnect power before installing or servicing. This fixture must be wired in accordance with the National Electrical Code and applicable local codes and ordinances.

All wiring should be performed by a qualified electrician. This fixture is for outdoor use and should not be used in areas with limited ventilation or high ambient temperatures.

## INSTALLATION

### Surface Mounting

1. Do not remove any part of the fixture.
2. Specification please see the label on fixture.
3. Use expansion bolts to secure the fixture on mounting surface. (See Fig. 1)
4. Keep enough length wires to ensure adjusting angle unhindered.
5. Connect wires into wiring terminal; white wire to "Neutral" terminal, black wire to "Live" terminal, green wire to "Ground" terminal; and fix them by screws.
6. Please mention the main specification as following before wiring. (See Table 1)

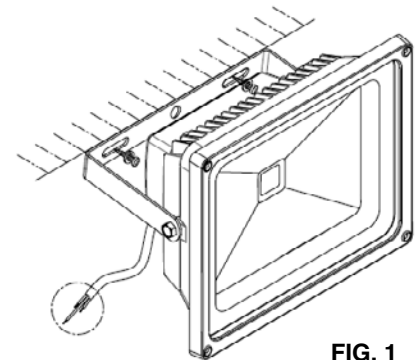
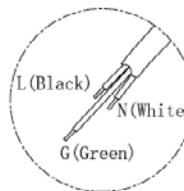


FIG. 1

TABLE 1

ITEM#	WATT	VOLTS	POWER FACTOR	HOLE SIZE	INTERVAL SPACING	CENTER HOLE SIZE
83700	10W	100-277V	≥0.9	0.24" x 0.45"	2.32"	0.41"
83701	20W			0.28" x 0.77"	3.82"	0.41"
83702	30W			0.39" x 0.77"	5.47"	0.51"
83703	50W			0.39" x 1.34"	6.34"	0.51"