

LED SPEC-SELECT™ CENTER BASKET TROFFERS

INSTALL INSTRUCTIONS

PLEASE FIND A QUALIFIED ELECTRICIAN FOR INSTALLATION. Please read the instructions before you install and use the luminaire.

WARNINGS, CAUTIONS AND OPERATING INSTRUCTIONS

- To reduce the risk of death, personal injury or property damage from fire, electric shock, falling parts, cuts/abrasions, and other hazards read all warnings and instructions included with and on the fixture box and all fixture labels.
- Before installing, servicing, or performing routine maintenance upon this equipment, follow these general precautions.
- Commercial installation, service and maintenance of luminaires should be performed by a qualified licensed electrician.
- For the installation: If you are unsure about the installation or maintenance of the luminaires, consult a qualified licensed electrician and check your local electrical code.
- To prevent wiring damage or abrasion, do not expose wiring to edges of sheet metal or other sharp objects.
- Do not make or alter any open holes in an enclosure of wiring or electrical components during kit installation.

WARNING: RISK OF FIRE OR ELECTRICAL SHOCK

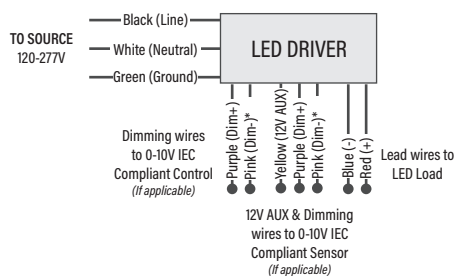
- Turn off electrical power at fuse or circuit breaker box before wiring fixture to the power supply.
- Turn off the power when you perform any maintenance.
- Verify that supply voltage is correct by comparing it with the luminaire label information.
- All wiring connections should be capped with UL approved wire connectors.

CAUTION: RISK OF INJURY

- Avoid direct eye exposure to the light source while it is on.
- Account for small parts and discard packing material, as these may be hazardous to children.
- Risk of burn. Disconnect power and allow fixture to cool before handling fixture.
- Green ground screw provided in proper location. DO NOT RELOCATE.
- Use minimum 90°C supply conductors.
- Suitable for Dry or Damp locations, Type IC.

WARNING - TURN OFF POWER SUPPLY FROM MAIN CIRCUIT BREAKER BEFORE INSTALLING OR SERVICING.

GENERAL WIRING DIAGRAM



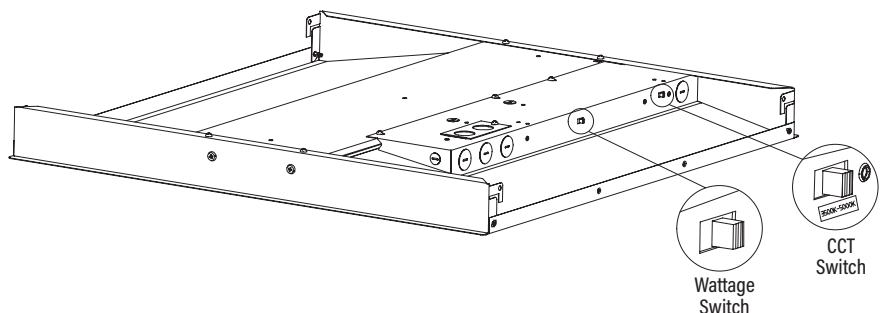
*Per NEMA rule-change Dim (-) control wires changed from gray to pink after Jan. 01, 2022.

Note: If not connecting to an external 0-10V dimmer circuit, make sure fixture's 0-10V pink and purple leads are capped off separately. Failure to do so may cause fixture to perform incorrectly, and void warranty.

FIELD ADJUSTABLE WATTAGE & CCT

The end users may adjust the color temperature and lumen output, respectively, by the two slide switches integrated into the driver. Each switch has 3 options (left, middle and right), each position corresponds to 3 color temperatures (3500K, 4100K, and 5000K) and 3 wattages, which can be adjusted to the desired combination.

1. Switches are located on the driver.
2. Select a wattage and color temperature by sliding switch left or right respectively to the desired value.



LED SPEC-SELECT™ CENTER BASKET TROFFERS

INSTALL INSTRUCTIONS

PQL
PREMIUM QUALITY LIGHTING®

! WARNING - TURN OFF POWER SUPPLY FROM MAIN CIRCUIT BREAKER BEFORE INSTALLING OR SERVICING.

INSTALLATION

1. Bend (4) grid clip 90 degrees on each corner. (Fig. 1)
2. Install the luminaire into the ceiling T-grid system. Ensure that luminaire sets snugly in T-grid system. Ensure that all luminaires in an area are oriented in the same direction. (Fig. 2)
3. Use a hanger wire to tie off appropriately in accordance with local building codes (screws and hanger wires supplied by installer). (Fig. 3)
4. Remove electrical access plate and remove necessary knockouts from access plate. Use appropriate conduit connectors as required by code to attach electrical supply cable to the access plate. (Fig. 4)
5. Connect wires as shown in General Wiring Diagram (Pg. 1) by using appropriate UL-approved wire connectors as required by code. Push all wires back into the splice Box. Attach the wiring access cover plate. (Fig. 4)

WARNING: To prevent wiring damage or abrasion, do not expose wiring to edges of sheet metal or other sharp objects.

Fig. 1

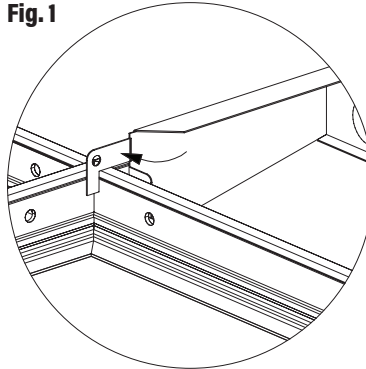


Fig. 2

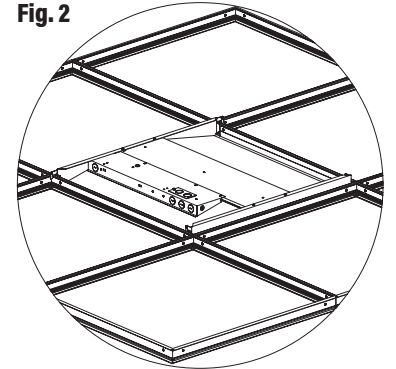


Fig. 3

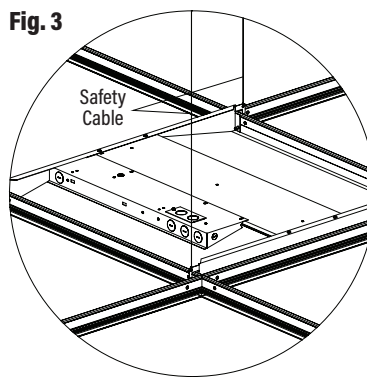
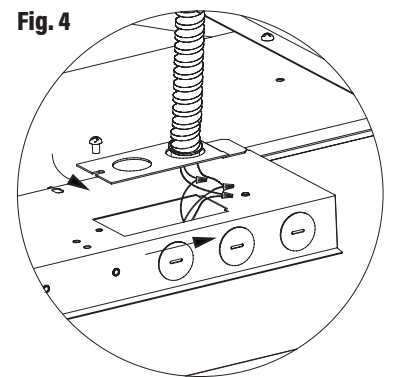


Fig. 4



FIXTURES W/ISO - INTEGRATED SENSOR OPTION

(If applicable, sensor sold separately)

For fixtures, with an integrated sensor socket.

1. Remove sensor socket cover. (Fig. A)
2. Disconnect the flat cable from the back of the socket cover, then connect the flat cable to the terminals of a compatible sensor. (Fig. B)
3. Push sensor back into socket, and make sure it is securely seated in place. (Fig. C)

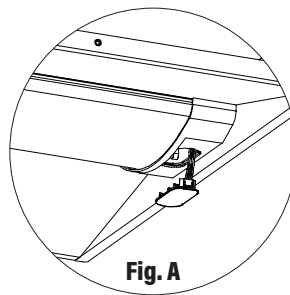
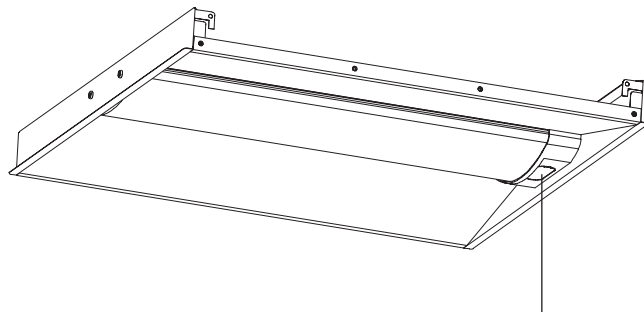


Fig. A

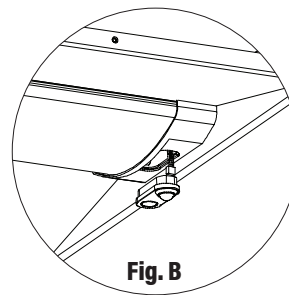


Fig. B

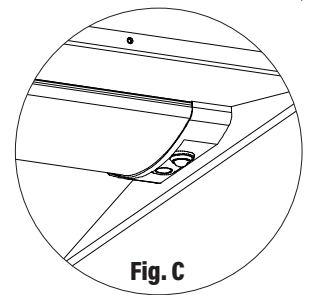


Fig. C