

# LED SPEC-SELECT™ VAPOR TIGHT HIGH BAY

## INSTALL INSTRUCTIONS

**PLEASE FIND A QUALIFIED ELECTRICIAN FOR INSTALLATION.** Please read the instructions before you install and use the luminaire.

### WARNINGS, CAUTIONS AND OPERATING INSTRUCTIONS

- To reduce the risk of death, personal injury or property damage from fire, electric shock, falling parts, cuts/abrasions, and other hazards read all warnings and instructions included with and on the fixture box and all fixture labels.
- Before installing, servicing, or performing routine maintenance upon this equipment, follow these general precautions.
- Commercial installation, service and maintenance of luminaires should be performed by a qualified licensed electrician.
- For the installation: If you are unsure about the installation or maintenance of the luminaires, consult a qualified licensed electrician and check your local electrical code.
- To prevent wiring damage or abrasion, do not expose wiring to edges of sheet metal or other sharp objects.
- Do not make or alter any open holes in an enclosure of wiring or electrical components during kit installation.

### WARNING: RISK OF FIRE OR ELECTRICAL SHOCK

- Turn off electrical power at fuse or circuit breaker box before wiring fixture to the power supply.
- Turn off the power when you perform any maintenance.
- Verify that supply voltage is correct by comparing it with the luminaire label information.
- All wiring connections should be capped with UL approved wire connectors.

### CAUTION: RISK OF INJURY

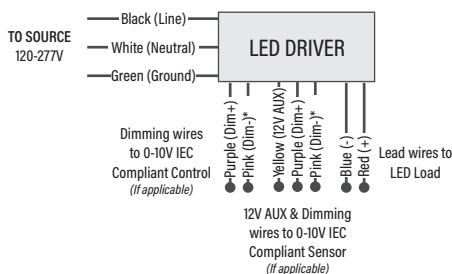
- Avoid direct eye exposure to the light source while it is on.
- Account for small parts and discard packing material, as these may be hazardous to children.
- Risk of burn. Disconnect power and allow fixture to cool before handling fixture.

### NOTICES:

- Green ground screw provided in proper location. DO NOT RELOCATE.
- Use minimum 90° supply conductors.
- Suitable for Wet Locations.

**WARNING** - TURN OFF POWER SUPPLY FROM MAIN CIRCUIT BREAKER BEFORE INSTALLING OR SERVICING.

### GENERAL WIRING DIAGRAM



\*Per NEMA rule-change Dim (-) control wires changed from gray to pink after Jan. 01, 2022.

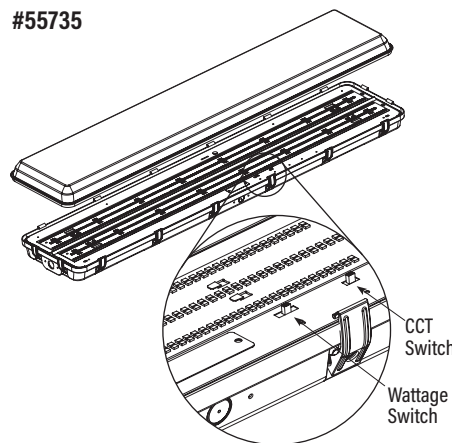
Note: If not connecting to an external 0-10V dimmer circuit, make sure fixture's 0-10V pink and purple leads are capped off separately. Failure to so do may cause fixture to perform incorrectly, and void warranty.

### FIELD ADJUSTABLE WATTAGE & CCT

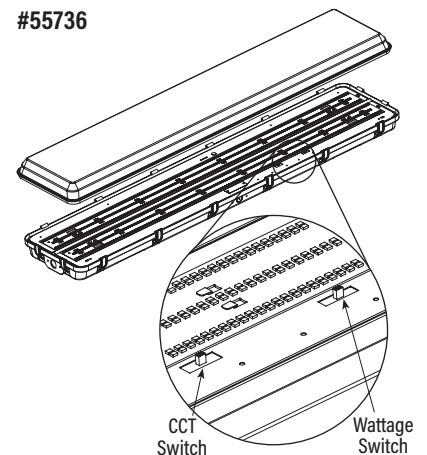
The end users may adjust the color temperature and lumen output, respectively, by the two slide switches integrated into the module board. Each switch has 3 options (left, middle and right), each position corresponds to 3 color temperatures (3500K, 4100K, and 5000K) and 3 wattages, which can be adjusted to the desired combination.

1. Switches are located on the side next to the LED module board.
2. Select a wattage and color temperature by sliding switch left or right respectively to the desired value.

#55735



#55736



# LED SPEC-SELECT™ VAPOR TIGHT HIGH BAY

## INSTALL INSTRUCTIONS

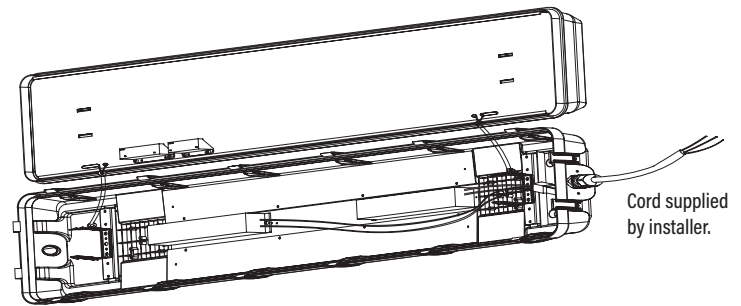
**PQL**  
PREMIUM QUALITY LIGHTING®

**⚠ WARNING - TURN OFF POWER SUPPLY FROM MAIN CIRCUIT BREAKER BEFORE INSTALLING OR SERVICING.**

### BEFORE INSTALLATION

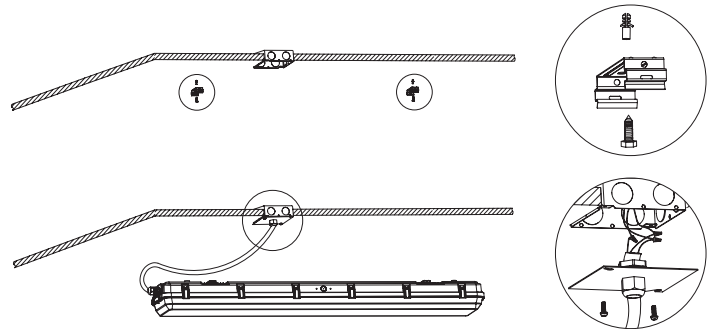
Take out the fixture and installation kit from the packaging, inspect for any damages.

1. Remove lens and LED module board.
2. Pass the cord (provided by installer) through the waterproof strain relief and fix the combination to the fixture through the reserved knockout.
3. Connect the cord to the input of the driver and reattach the LED module board and lens.



### SURFACE MOUNT INSTALLATION

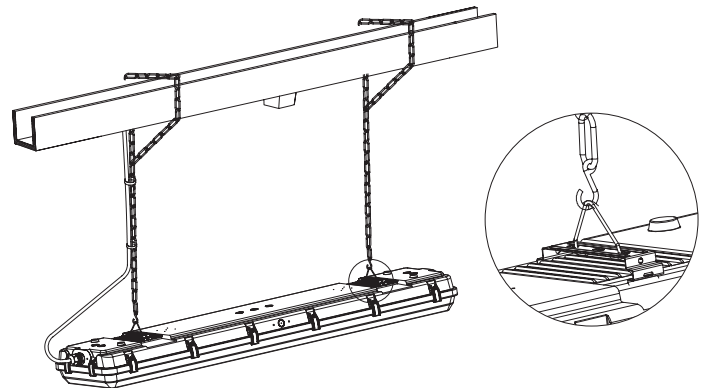
1. Locate drill holes for mounting brackets. Use hardware found in hardware kit. Mount bracket to the mounting surface.
2. Push housing into surface mounting brackets. Ensure that the housing is secure to the brackets.
3. Use appropriate UL approved wire connectors as required by code to complete wiring to main power as shown on Page 1. If outdoor surface is irregular, use caulk to seal any gaps around housing.



### SUSPENDED MOUNT INSTALLATION

*(Chain sold separately)*

1. Secure surface mounting brackets to housing as shown and loop V-Hooks (included) on the brackets.
2. To suspend housing, connect each V-Hook to two equal lengths of chain (sold separately) and/or appropriate hardware (provided by installer) suitable for mounting surface.
3. Use appropriate UL approved wire connectors as required by code to complete wiring to main power as shown on Page 1.



### FIXTURES W/ISO - INTEGRATED SENSOR OPTION

*(If applicable, sensor and elbow sold separately)*

**For fixtures, with an integrated sensor socket.**

1. Remove sensor socket cover. (Fig. 1)
2. Install elbow connector by screwing in clockwise until firmly seated. Once firmly installed, elbow socket can be carefully adjusted to desired position. (Fig. 2)
3. Install sensor by screwing in clockwise until firmly seated. (Fig. 3 & 4)

**Note:** If you move the sensor to a different location on the fixture, use waterproof knockout plug to cover original sensor hole.

