

LED STEALTH™ FULL CUTOFF WALL PACK

INSTALL INSTRUCTIONS



IMPORTANT: READ CAREFULLY BEFORE INSTALLING FIXTURE. RETAIN FOR FUTURE REFERENCE.

- To reduce the risk of death, personal injury or property damage from fire, electric shock, falling parts, cuts/abrasions, and other hazards read all warnings and instructions included with and on the fixture box and all fixture labels.
- Commercial installation, service and maintenance of luminaires should be performed by a qualified licensed electrician.
- For the installation: If you are unsure about the installation or maintenance of the luminaires, consult a qualified licensed electrician and check your local electrical code.
- To prevent wiring damage or abrasion, do not expose wiring to edges of sheet metal or other sharp objects.
- Do not make or alter any open holes in an enclosure of wiring or electrical components during kit installation.

WARNING: RISK OF FIRE OR ELECTRICAL SHOCK

- This fixture must be wired in accordance with the international electrical code and applicable local codes and ordinances.
- Proper grounding is required to insure personal safety. Carefully observe the correct grounding procedure under installation section.
- Make sure power off before installing or maintaining fixture.
- Check that voltage is compatible with fixture driver, use approved connectors for all electrical connections.

MAINTENANCE CAUTIONS

- Review the diagrams before beginning, and make sure the fixture is grounded properly.
- Turn the power off and wait for fixture cooling to operate.
- This fixture has to be installed or maintenance in accordance with the application code by a professional person who familiar with the construction and operation of the product and the hazards involved.

! WARNING DISCONNECT POWER BEFORE INSTALLING OR SERVICING.

Note: Fixture must be mounted on a wall with the lens facing down as shown in (Fig. 1).

STANDARD INSTALLATION

1. Unscrew door with a Philips screwdriver by loosening (2) screws on the top of the fixture (Fig 2). Confirm junction box size and mounting provisions match that of the light fixture.
2. Attach the light fixture to the junction box or mounting surface.
3. Connect the appropriate wires to the light fixture wires, see wiring diagram (Fig. 3). Secure each wire pair with a UL approved connectors.
4. Close the door and tighten (2) screws on the door lens. Nothing should be trapped in the gasket sealing area when the door is closed.
5. Apply weatherproof silicone sealant between wall and housing to ensure a weatherproof installation.

WIRING FOR 0-10V DIMMING (Fig. 3) (If applicable.)

Turn off the power.

1. Connect the BLACK wire with the LINE.
2. Connect the WHITE wire with the NEUTRAL.
3. Connect the GREEN wire with the GROUND.
4. Connect the PURPLE* wire with the (V+) DIM.
5. Connect the GRAY* wire with the (V-) DIM.
Caution: DO NOT connect the GRAY (-)DIM V- wire with GROUND.

CLEANING

1. Before touching fixture, make sure the fixture has cooled.
2. Do not clean or maintain while power to the fixture is on.
3. Clean lens and fixture with non-abrasive glass cleaning solution.
4. Do not open fixture to clean and touch LED chips.

Fig. 1

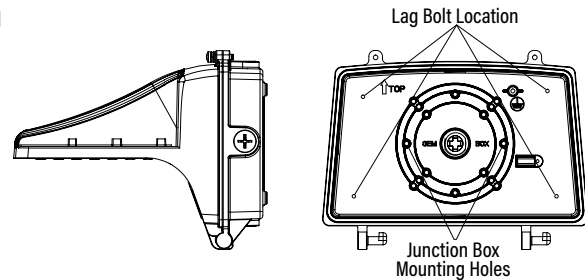


Fig. 2

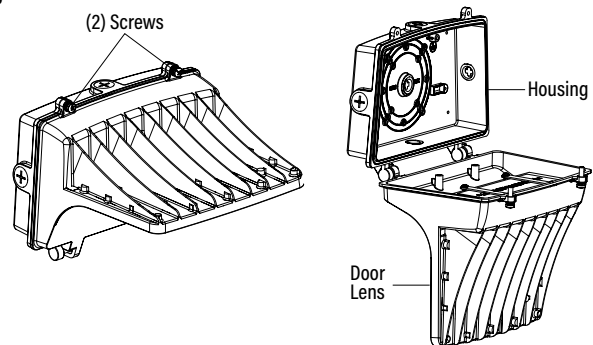
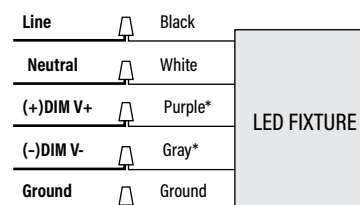


Fig. 3 - GENERAL WIRING DIAGRAM



***Note:** For non-dimming applications, cap the purple and gray dimming wires separately. Failure to do so may cause malfunctioning and void warranty.

LED STEALTH™ FULL CUTOFF WALL PACK

INSTALL INSTRUCTIONS



SAFETY CAUTIONS FOR LED EMERGENCY BACKUP USE

- EM Emergency Backup with Stealth™ Cutoff Wall Pack not for use in Wet Location applications. - Use with grounded fixtures in dry or damp locations only.
- The fixture is only rated for 120-277V when paired with an emergency battery.
- Risk of fire or electric shock. This LED Emergency Backup installation requires knowledge of luminaire electrical systems. If not qualified, do not attempt installation. Contact a qualified electrician.
- Do not mount near gas or electric heaters; fixtures with emergency batteries should only operate in temperatures: 32° ~ 95°F (0° - 35°C).
- Do not connect battery pack connector until all other wiring is complete and AC power is on.
- Verify that all replacement parts installed are suitable for use with this emergency battery pack.
- Luminaire wiring and electrical parts may be damaged when drilling for installation of LED Emergency Backup. Check that enclosed wiring and components are clear of the area before drilling.

INSTALLATION OF LED EMERGENCY BACKUP *(Sold separately)*

1. Unscrew door with a Philips screwdriver by loosening (2) screws on the top of the fixture (Fig 2). Confirm junction box size and mounting provisions match that of the light fixture.
2. Drill two small hole (one for D5mm, one for D7mm) for indicator wire and test button for EM driver on the top of fixture as (Fig 4).
3. Assemble EM driver as shown in (Fig 4A & B). *Note: 83893 (Fig. 4B) - 8W EM driver sits on the top of fixture driver. Place foam in-between fixture and emergency driver. Do not over-tighten the straps; this can damage the battery or driver, and cause it to fail, and void the warranty. Just tighten enough to secure in place.*
4. Attach the light fixture to the junction box or mounting surface.
5. Connect the appropriate wires to the light fixture wires, see wiring diagram (Fig. 5). Secure each wire pair with a UL approved connectors. *Note: Make sure all wiring is connected correctly, incorrect wiring may cause the LED driver to short out, voiding warranty*
6. Close the door and tighten (2) screws on the door lens. Nothing should be trapped in the gasket sealing area when the door is closed.
7. Apply silicone sealant between wall and housing where necessary.

WIRING FOR LED EMERGENCY BACKUP (Fig. 5)

Accessories pack included; containing wire and connectors etc.

Turn off the power before connecting wires.

1. Connect LED Driver V+ (RED) with Emergency Driver +
2. Connect LED Driver V- (BLACK) with Emergency Driver -
3. Connect Fixture LED + with EM LED +
4. Connect Fixture LED - with EM LED -
5. LED Driver ACL (Black) Connect with electric wire of switch on wall, and EM ACL (RED) connect with un-switched electric wire ACL (BLACK). *The fixture's AC driver must be on the same branch circuit as the LED Emergency Backup unit.*
6. Connect LED Driver ACN (WHITE) with EM ACN (WHITE).
7. Connect LED Driver GND (GREEN) with EM GND (GREEN).
8. Connect Battery wire with EM driver and connect Indicator wire with EM.

Note: Make sure all wiring is connected correctly, and the fixture's AC driver is on the same branch circuit as the LED Emergency Backup unit; incorrect wiring may cause the LED driver to short out, voiding warranty.

Fig. 4A - 83895 / 4W EM DRIVER W/ INTEGRATED BATTERY

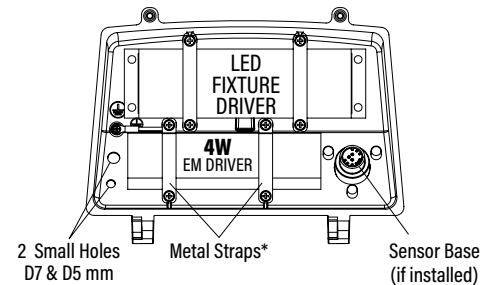
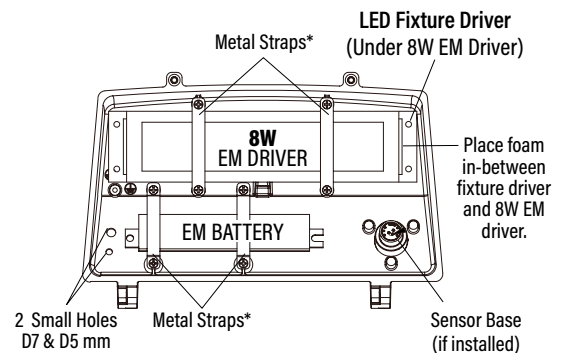


Fig. 4B - 83893 / 8W EM DRIVER W/ SEPARATE BATTERY



**Do not over-tighten the straps; this can damage the battery or driver, and cause it to fail, and void the warranty. Just tighten enough to secure in place.*

Fig. 5 - WIRING FOR EMERGENCY BATTERIES

