

LED STADIUM LIGHTS V2

INSTALL INSTRUCTIONS



PLEASE FIND A QUALIFIED ELECTRICIAN FOR INSTALLATION AND MAINTENANCE. Read the instructions before assembling, installing, operating or maintaining the luminaire.

FAILURE TO FOLLOW THE WARNINGS, SAFETY INSTRUCTIONS AND OPERATING INSTRUCTIONS MAY LEAD TO PROPERTY DAMAGE, SEVERE INJURY OR DEATH.

- All electrical work must conform with the National Electrical Code (NEC) and all applicable local codes and ordinances.
- Before beginning any installation verify the safety of the existing power distribution system.
- **WARNING** - Turn off power before performing any electrical or control work.
- **WARNING** - Follow all applicable safety procedures and use personal protective equipment, such as; hardhats, safety glasses, reflective vests, electrical safety gloves, fall protection equipment and safety toe boots during the installation, operation and maintenance of the luminaire.
- **Risk of Eye Injury** - Eye protection is required at all times during installation, operation and maintenance of the luminaire. The high intensity light produced by the luminaire can cause severe damage to the eye if viewed directly at close range. Avoid being close in front of a luminaire that is on and looking at it, or wear suitable light blocking protective eye wear, such as welding goggles.
- **DO NOT** modify the luminaire or alter any open hole on the luminaire.

Store luminaires in a clean dry place, protected from dirt, water and sunlight. See table below for storage and operating conditions.

STORAGE TEMPERATURE	OPERATING TEMPERATURE	HUMIDITY
40° ~ 167°F	-22° ~ 122°F	5% ~ 95% Non-Condensing

WARNING DISCONNECT POWER BEFORE INSTALLING OR SERVICING.

Please read all instructions before installation. Turn power off before installation. Only a qualified authorized person or professional engineer should install the luminaire. Before installation, check if the supply line voltage range corresponds with the working voltage of the luminaire. If the luminaire is damaged, it should be replaced by the supplier or a qualified person. Keep the luminaire away from fire, electrical shock, and/or vibration.

STEP 1 - ATTACH GLARE SHIELD (Sold Separately #84222)

- Attach glare shield to the luminaire body by using M5 x12mm screws to lock the shield in place. (Fig. 1) *Note: You may need to loosen the orientation adjustment bolts (under the blue cover) and slide or rotate the fixture first to install all the glare-shield screws.*

STEP 2 - MOUNT THE LUMINAIRE (Fig. 2)

- Insert M20 bolts and flat washers into bracket.
- Align bracket with mounting surface.
- Secure bracket, bolts, flat and lock washers to mounting surface.
- Tighten the bolts hand tight so luminaire is secured to the mounting surface. Do not fully torque down until desired aiming is set.

STEP 3 - AIM THE LUMINAIRE

Aiming the luminaire is a critical part of installation and to ensure the light is distributed evenly across the area. There are two basic methods to properly aim the luminaire - Orient-Tilt, and Precision Laser Aiming (optional, sold separately) by Coordinates.

Fig. 1

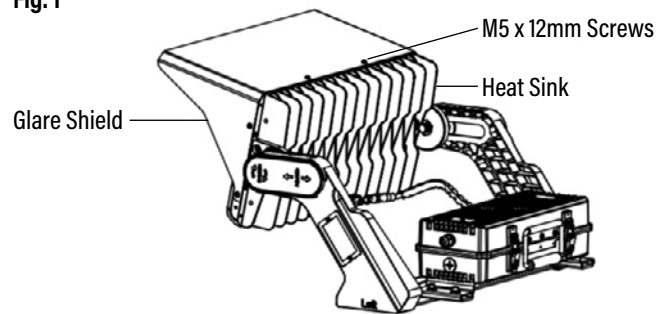
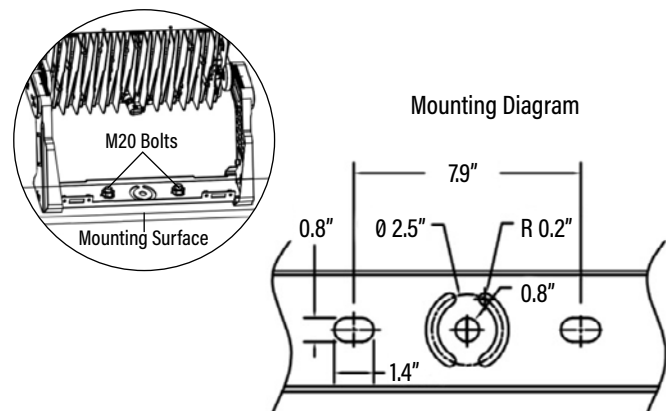


Fig. 2



LED STADIUM LIGHTS V2

INSTALL INSTRUCTIONS



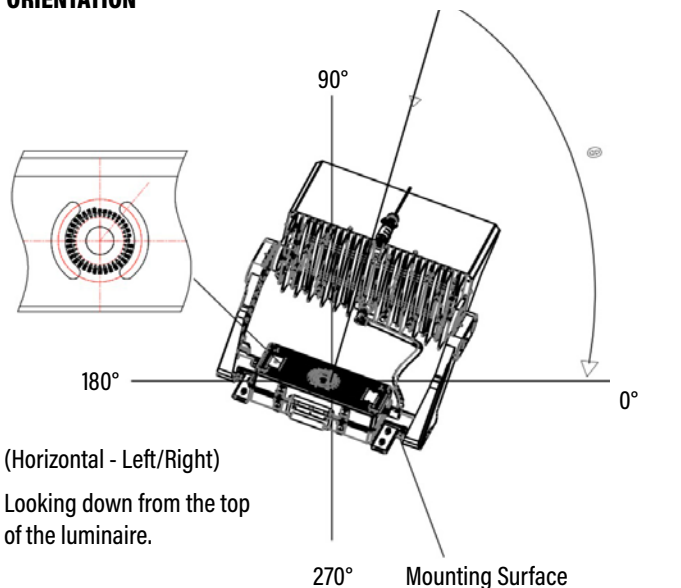
⚠ WARNING DISCONNECT POWER BEFORE INSTALLING OR SERVICING.

ORIENT-TILT

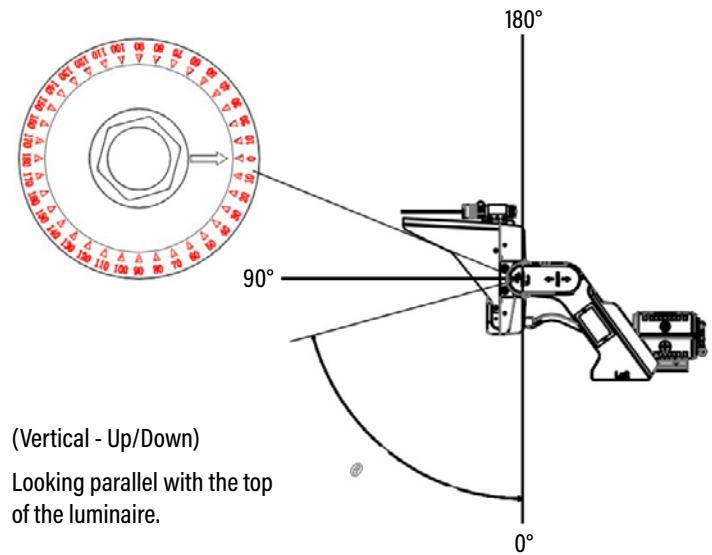
This technique involved turning the luminaire to predetermined angles before the lighting pole is lifted up and set place. The orient angle refers to the direction of the luminaire faces on the horizontal-plane (left/right). Mount the luminaire to the structure but leave the mounting bolts slightly loose to allow spinning flexibility of the mounting bracket. *Note: Once fixture is oriented and tilted into the proper position, securely tighten down mounting, tilt and orientation bolts.*

Tilt angle refers to the direction the luminaire faces on the vertical-plane (up/down). When the luminaire is securely mounted to the structure so that the mounting bracket does not move but the hex set screws are loosened, the fixture may rotate up inside the mounting bracket. Set the luminaire tilt angle by rotating the fixture relative to the luminaire mounting structure.

ORIENTATION



TILT



PRECISION LASER AIMING BY COORDINATES *(Sold Separately)*

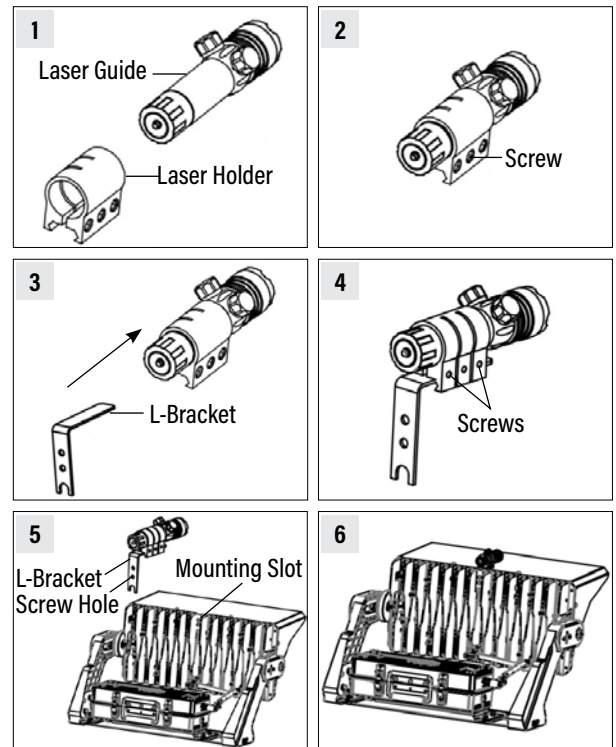
Laser aiming is the most effective and preferred technique for aiming the luminaire. This method uses a laser mounted to the luminaire to point the fixture at a predetermined point on an area using (X,Y) coordinates. Unless otherwise noted, aiming coordinates are based on the origin (0,0,0) placed at center of the area to be lit. All dimensions from that point are in feet along the area unless otherwise noted.

WARNING - Never point the aiming laser at any person or animal as it can cause permanent damage to eyes. Use laser only for floor aiming luminaires.

FAILURE TO FOLLOWING THIS WARNING MAY LEAD TO SEVERE INJURY.

1. Slide the laser guide into the laser holder.
2. Tighten the middle screw on the laser holder.
3. Inset the L-Bracket into the laser holder.
4. Tighten the end screws to the lock the L-Bracket in place.
5. Align the L-bracket with the mounting slot and attach secure laser assembly onto luminaire.
6. Assembly complete.

Note: Adjust fixture to proper tilt and orientation using the bolts and screws. Tighten securely when done. Remove laser and L-bracket when finished (it can be used for aiming the other stadium fixtures).



LED STADIUM LIGHTS V2

INSTALL INSTRUCTIONS



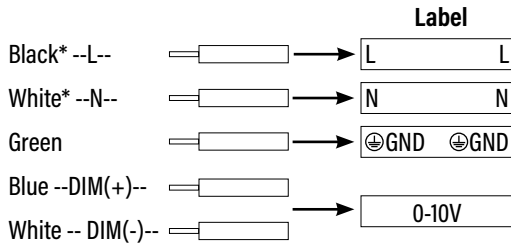
⚠ WARNING DISCONNECT POWER BEFORE INSTALLING OR SERVICING.

STEP 4 - GENERAL WIRING CONNECTIONS

WARNING - Always turn off power to the luminaire before performing any work on control wiring. Turn off transmitter remote control units before working on main control lines. Performing any work on control connection while fixture is receiving a signal may result in transient or fluttering control signals which can cause damage to the luminaire.

FAILURE TO FOLLOWING THIS WARNING MAY LEAD TO INTERNAL DAMAGE OF THE LUMINAIRE OR FAILURE.

WIRING DIAGRAM



ELECTRICAL LOAD

WATTAGE	CURRENT (A)					
	120V	208V	240V	247V	277V	480V
400W	3.3	1.9	1.7	1.6	1.4	0.83
500W	4.2	2.4	2.1	2.0	1.8	1.1
600W	5.0	2.9	2.5	2.4	2.1	1.25
800W	6.7	3.8	3.3	3.3	2.9	1.7
1000W	8.3	4.8	4.2	4.0	3.6	2.0
1200W	10.0	5.8	5.0	4.9	4.3	2.5

EPA RATING (FT²)

WATTAGE	FRONT	SIDE	TOP
400W/500W/600W	1.42	0.52	2.57
800W/1000W/1200W	1.42	0.75	3.48