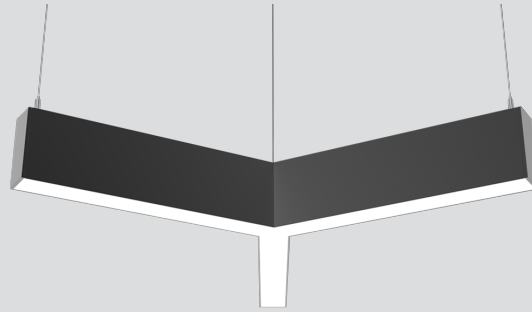


VEGA™ FORMS

TRIAD

Ambient Linear LED

Client: _____ Order #: _____
 Project Name: _____ Type: _____ Qty: _____



CRI
 95 min with R9 of 69 or better

CCT
 2700K, 3000K, 3500K, 4000K,
 5 Channel Color Tuning

Projected Lifetime
 240,000 Hours (L80);
 110,000 Hours (L90)

Dimming
 0-10V dimming standard

Operating Temperature
 -30°C to +55°C (-22°F to +131°F)

Location
 Approved for dry and damp locations

Warranty
 5 year Standard
 10 year Optional

10 Yr
 Warranty Available

BAA
 Compliant Available

Description

The Vega™ Triad luminaire combines a striking, bold design with top-quality illumination standard as part of the series of interior luminaires. Currently available in a 2-foot aperture size, the arms of the Triad luminaire can be specified in 2, 3, or 4-foot lengths. Delivering a triforme of design, performance, and robust construction, the Vega™ Triad aims to elevate the look of modern interior spaces with a forward-thinking and unique aesthetic.

Features

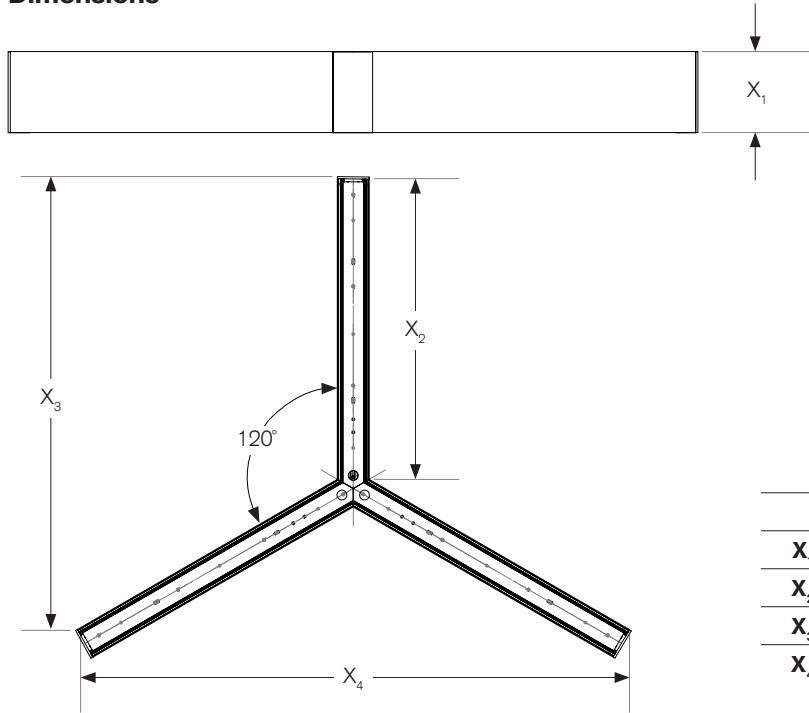
- Up to 1200 lm/ft direct, 1,400 lm/ft indirect at 4000K
- Arm Length: 2', 3', and 4' standard
- Profile Dimensions: 2.44" wide x 5" high
- End Caps: Die cast aluminum with powder coat finish
- Housing: Extruded Aluminum with powder coat finish
- Direct Lens: Extruded Satin Acrylic
- Indirect Lens: Extruded clear Acrylic
- Light Engine: Aluminum core LED board mounted to a white extruded chassis with integral driver and quick electrical disconnects for rapid tool-less servicing

Ordering Options Contact sales representative to order.

FIXTURE SERIES	CCT DOWN	MOUNTING STYLE	L OPTIONS
TR2P Triad 2 Pendant	27 2700K	C Cable in Corner	DC Dual Circuit for Up/Down ³
DISTRIBUTION	30 3000K	CABLE LENGTH	E Emergency Battery Backup
I Direct/Indirect	35 3500K	A 24" Cable	T Daylight Sensor
D Direct	40 4000K	B 48" Cable	M Motion Sensor ⁴
ARM LENGTH	5W 5 Channel Color Tuning ¹	D 60" Cable	V Daylight/Occupancy Sensor ⁴
2 2'	CCT UP*	F 72" Cable	CONTROLS
3 3'	27 2700K	G 96" Cable	LE LUTRON Ecosystem
4 4'	30 3000K	FINISH ²	LV LUTRON VIVE
OUTPUT DOWN	35 3500K	W Textured White	PE PHILIPS Easysense
L 7.5W/ft	40 4000K	S Textured Silver	NL nLight
M 10W/ft	5W 5 Channel Color Tuning ¹	B Textured Black	EO EnlightedONE System ⁴
H 15W/ft	VOLTAGE	C Textured Custom Colors	WARRANTY ⁵
OUTPUT UP*	U 120-277V		- 5 Year Warranty
L 7.5W/ft			10 10 Year Warranty
M 10W/ft			10L 10 Year Warranty including labor
H 15W/ft			

- ¹Only available when direct/indirect distribution is selected
- ²All finishes are textured unless specified otherwise by the customer
- ³Dual circuit offered with 6 wire cord - two hots, neutral, ground, and 0-10V dimming
- ⁴Default sensor is the Enlighted One.
- ⁵5 Year Warranty is Standard unless specified

Dimensions



	Inches		
	Arm Size: 2'	Arm Size: 3'	Arm Size: 4'
X₁	5.00	5.00	5.00
X₂	23.04	35.55	47.33
X₃	34.77	53.32	70.94
X₄	42.05	64.01	84.36