

TRACK HEAD - TRA1

INSTALLATION INSTRUCTIONS

PLEASE USE A QUALIFIED ELECTRICIAN FOR INSTALLATION. Read the instructions before installing or use of the luminaire.

WARNING, CAUTIONS AND OPERATING INSTRUCTIONS

- To reduce the risk of death, personal injury or property damage from fire, electric shock, falling parts, cuts/abrasions, and other hazards read all warnings and instructions included with and on the fixture box and all fixture labels.
- Before installing, servicing, or performing routine maintenance upon this equipment, follow these general precautions.
- Commercial installation, service and maintenance of luminaires should be performed by a qualified licensed electrician.
- For the installation: If you are unsure about the installation or maintenance of the luminaires, consult a qualified licensed electrician and check your local electrical code.
- Do not make or alter any open holes in an enclosure of wiring or electrical components during kit installation.

WARNING: RISK OF FIRE OR ELECTRICAL SHOCK

- Turn off electrical power at fuse or circuit breaker box before wiring fixture to the power supply or performing any maintenance.
- Verify that supply voltage is correct by comparing it with the luminaire label information.

CAUTION: RISK OF INJURY

- Avoid direct eye exposure to the light source while it is on.
- Account for small parts and destroy packing material, as these may be hazardous to children.
- To reduce the risk of fire and electric shock, use only with the appropriate track system.
- For use with ceiling-mounted tracks only.
- Suitable for indoor dry locations/IP20
- Ambient operating temperature: -14°F to 95°F

GENERAL INFORMATION



WARNING DISCONNECT POWER BEFORE INSTALLING OR SERVICING.

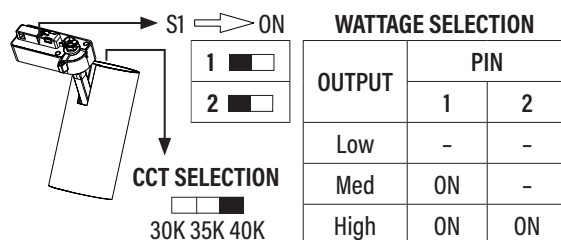
WATTAGE	TRACK SYSTEM	INPUT	OPERATING CURRENT (A)	INRUSH CURRENT (A)	DURATION OF INRUSH CURRENT TIME (us)	LEAKAGE CURRENT* (mA)	MAXIMUM NUMBER OF MCB LUMINAIRES CONNECTED		WEIGHT (lbs)
							16A Type B (Pcs)	16A Type C (Pcs)	
5W/10W/15W	H-Type 2 Wire 1 Circuit	120V -60Hz	0.17	3	85	0.5	61	70	1.2
15W/20W/25W			0.23	5	135		45	52	1.4
25W/30W/35W			0.35	7	150		30	34	1.8
5W/10W/15W	J-Type 2 Wire 1 Circuit		0.17	3	85		61	70	1.2
15W/20W/25W			0.23	5	135		45	52	1.4
25W/30W/35W			0.35	7	150		30	34	1.8

*The leakage current (contact current or protective conductor current) of a circuit is strongly influenced by the conductor, including its type, length, and specifications. In the field, factors like how the power cord is connected to the conductor, how it is connected to the luminaires, and how the wiring is arranged can also affect the leakage current. In some cases, this may be referred to as ground drain current.

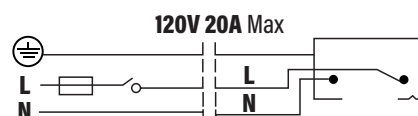
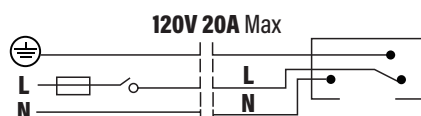
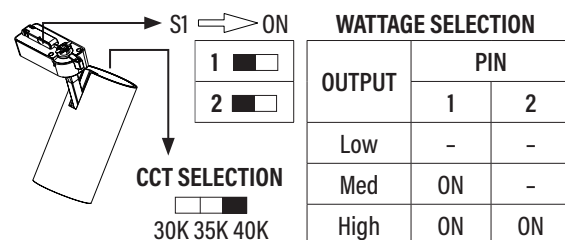
FIELD ADJUSTABLE WATTAGE & CCT

End users can adjust the wattage using the dip switches on the track connector and set the CCT from the control on the back of the track head.

H-TRACK (2 Wire, 1 Circuit)



J-TRACK (2 Wire, 1 Circuit)



TRACK HEAD - TRA1

INSTALLATION INSTRUCTIONS

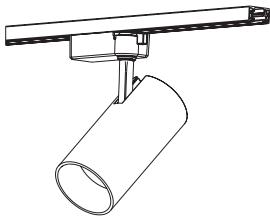
INSTALLATION



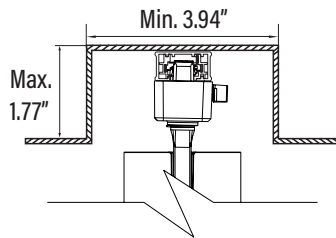
WARNING DISCONNECT POWER BEFORE INSTALLING OR SERVICING.

RECOMMENDED TRACK STYLE - CEILING MOUNT ONLY

Flush-mount track

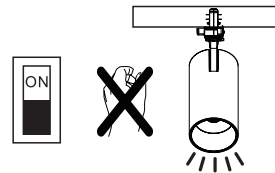


Track embedded

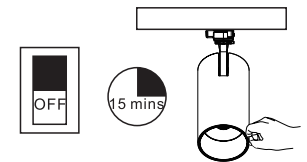


SAFETY PRECAUTION

Do not adjust the track head while the light is on.

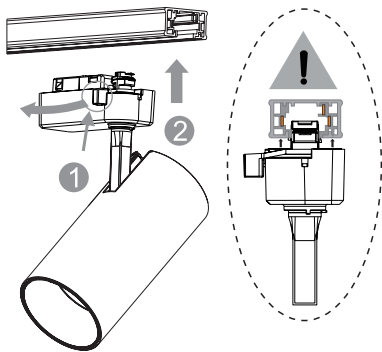


Turn it off and wait 15 minutes for it to cool before making any adjustments.

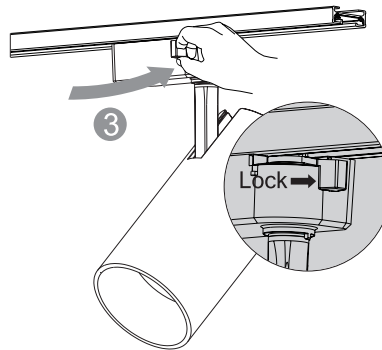


H-TRACK (2 Wire, 1 Circuit)

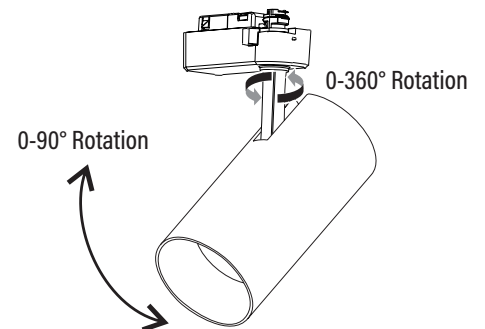
A



B

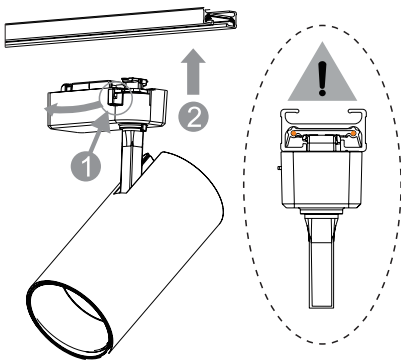


C



J-TRACK (2 Wire, 1 Circuit)

A



Insert the track connector into the rail, then rotate the track head clip until it clicks past the clamping point to ensure proper contact.

TRACK HEAD REMOVAL

1. Rotate the track head clip to release the connector.
2. Then tilt the track head as shown in the drawing until it disengages from the rail.

