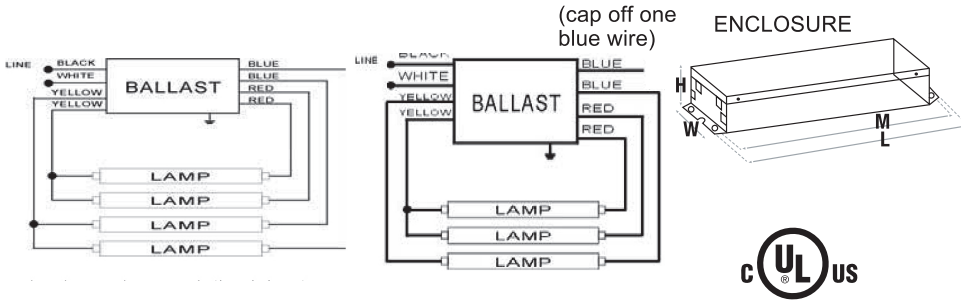




**BALLAST 3 OR 4/F17 F25 F32 120/277
LOW BALLAST FACTOR**



WIRING DIAGRAM AND DIMENSIONS



| | |
|-----------------|----------------------|
| BALLAST TYPE | Electronic |
| STARTING METHOD | Active Instant Start |
| LAMP CONNECTION | Parallel |
| INPUT VOLTAGE | 120-277 |
| INPUT FREQUENCY | 50/60Hz |

| | | | |
|--------------|-----------|------------|--------------|
| Over All (L) | Width (W) | Height (H) | Mounting (M) |
| 9.5" | 1.7" | 1.14" | 8.9" |

ELECTRICAL SPECIFICATIONS AT 120V

| Lamp Type | NO. of Lamps | Rated Lamp Watts | Min Start Temp (°F/C) | Input Current (Amps) | Input Power (ANSI Watts) | Ballast Factor | MAX THD % | Power Factor | MAX Lamp Current Crest Factor | BEF |
|-----------|--------------|------------------|-----------------------|----------------------|--------------------------|----------------|-----------|--------------|-------------------------------|------|
| F32T8 | 4 | 32 | 0/-18 | 0.79 | 95 | 0.78 | 10 | 0.99 | 1.7 | 0.82 |
| F32T8 | 3 | 32 | 0/-18 | 0.64 | 76 | 0.85 | 10 | 0.99 | 1.7 | 1.12 |
| F30T8 | 4 | 30 | 32/0 | 0.78 | 92 | 0.78 | 10 | 0.99 | 1.7 | 0.85 |
| F30T8 | 3 | 30 | 32/0 | 0.63 | 76 | 0.85 | 10 | 0.99 | 1.7 | 1.12 |
| F28T8 | 4 | 28 | 32/0 | 0.65 | 82 | 0.78 | 10 | 0.99 | 1.7 | 0.95 |
| F28T8 | 3 | 28 | 32/0 | 0.62 | 75 | 0.85 | 10 | 0.99 | 1.7 | 1.13 |
| F25T8 | 4 | 25 | 0/-18 | 0.6 | 72 | 0.76 | 10 | 0.99 | 1.7 | 1.06 |
| F25T8 | 3 | 25 | 0/-18 | 0.49 | 59 | 0.79 | 10 | 0.99 | 1.7 | 1.34 |
| F17T8 | 4 | 17 | 0/-18 | 0.43 | 52 | 0.77 | 15 | 0.99 | 1.7 | 1.48 |
| F17T8 | 3 | 17 | 0/-18 | 0.36 | 43 | 0.81 | 15 | 0.99 | 1.7 | 1.88 |
| F40T8 | 3 | 40 | 32/0 | 0.77 | 92 | 0.72 | 10 | 0.99 | 1.7 | 0.78 |

ELECTRICAL SPECIFICATIONS AT 277V

| Lamp Type | NO. of Lamps | Rated Lamp Watts | Min Start Temp (°F/C) | Input Current (Amps) | Input Power (ANSI Watts) | Ballast Factor | MAX THD % | Power Factor | MAX Lamp Current Crest Factor | BEF |
|-----------|--------------|------------------|-----------------------|----------------------|--------------------------|----------------|-----------|--------------|-------------------------------|------|
| F32T8 | 4 | 32 | 0/-18 | 0.34 | 96 | 0.78 | 10 | 0.99 | 1.7 | 0.81 |
| F32T8 | 3 | 32 | 0/-18 | 0.28 | 77 | 0.85 | 10 | 0.99 | 1.7 | 1.10 |
| F30T8 | 4 | 30 | 32/0 | 0.33 | 92 | 0.78 | 10 | 0.99 | 1.7 | 0.85 |
| F30T8 | 3 | 30 | 32/0 | 0.27 | 76 | 0.85 | 10 | 0.99 | 1.7 | 1.12 |
| F28T8 | 4 | 28 | 32/0 | 0.30 | 82 | 0.78 | 10 | 0.99 | 1.7 | 0.95 |
| F28T8 | 3 | 28 | 32/0 | 0.27 | 75 | 0.85 | 10 | 0.99 | 1.7 | 1.13 |
| F25T8 | 4 | 25 | 0/-18 | 0.27 | 75 | 0.79 | 10 | 0.99 | 1.7 | 1.05 |
| F25T8 | 3 | 25 | 0/-18 | 0.22 | 59 | 0.8 | 10 | 0.99 | 1.7 | 1.36 |
| F17T8 | 4 | 17 | 0/-18 | 0.19 | 53 | 0.77 | 10 | 0.99 | 1.7 | 1.45 |
| F17T8 | 3 | 17 | 0/-18 | 0.16 | 44 | 0.83 | 15 | 0.98 | 1.7 | 1.89 |
| F40T8 | 3 | 40 | 32/0 | 0.33 | 92 | 0.73 | 10 | 0.99 | 1.7 | 0.79 |