

VEGA™ ACOUSTIC

Ambient Linear LED

Client: _____ Order #: _____
 Project Name: _____ Type: _____ Qty: _____

Performance Data

CRI

95 min with R9 of 69 or better

CCT

2700K, 3000K, 3500K, 4000K,
5 Channel Color Tuning

Projected Lifetime

240,000 Hours (L80);
110,000 Hours (L90)

Dimming

0-10V dimming standard

Operating Temperature

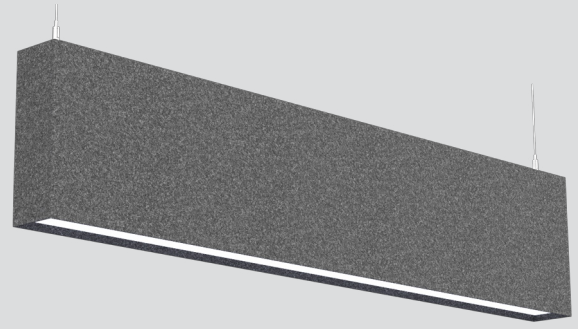
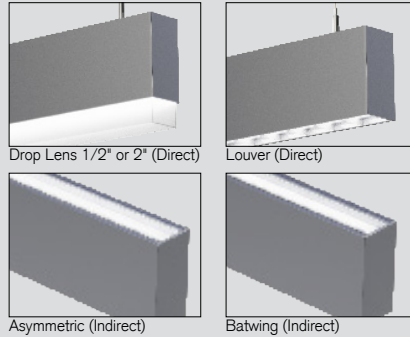
-30°C to +55°C (-22°F to +131°F)

Location

Approved for dry and damp
locations

Warranty

5 year Standard
10 year Optional



Description

The functionality of the Vega™ pendant is further enhanced by an acoustical offering. Available in standalone units of 2ft, 3ft, 4ft, 6ft, and 8ft, has a class A fire rating, and sound absorption between 0.45 and 0.90 NRC. Luminaires are textured silver, with an acoustical housing available in 16 standard colors. Ideal for modern, industrial spaces, Vega™ Acoustical is available in Pendant and Wall versions, and provides an effective alternative to acoustical suspended ceilings.

Features

- Up to 1200 lm/ft direct, 1,400 lm/ft indirect at 4000K
- Sound absorption between 0.45-0.90 NRC
- Class A fire rating
- Profile Dimensions: 3.44" wide x 9" high
- Housing: Acoustic
- Direct Lens: Extruded Satin Acrylic
- Light Engine: Aluminum core LED board mounted to a white extruded chassis with integral driver and quick electrical disconnects for rapid tool-less servicing
- Weight: 30 pounds (8ft luminaire)

Ordering Options **Contact sales representative to order.**

FIXTURE SERIES		OUTPUT UP		DIRECT LENS ³		MOUNTING CABLE	
P	Pendant	L	7.5W/ft	—	Frosted ¹	CA	24" Cable
W	Wall Mount	M	10W/ft	L	Louver	CB	48" Cable
DISTRIBUTION		H	15W/ft	C	1/2" Drop Lens	CD	60" Cable
D	Direct	CCT DOWN		D	2" Drop Lens	CF	72" Cable
I	Direct/Indirect	27	2700K	INDIRECT LENS		CG	96" Cable
LENGTH		30	3000K	—	Standard Clear ¹	CH	120" Cable
2	2'	35	3500K	B	Batwing	CJ	150" Cable
3	3'	40	4000K	A	Asymmetric	CK	180" Cable
4	4'	5W	5 Channel Color Tuning ⁶	VOLTAGE		CL	240" Cable
6	6'	CCT UP		U	120-277V	FINISH ²	
8	8'	27	2700K			###	Specialized Colors ²
OUTPUT DOWN		30	3000K	OPTIONS			
L	7.5W/ft	35	3500K	E	Emergency Battery Backup		
M	10W/ft	40	4000K	T	Daylight Sensor ⁴		
H	15W/ft	5W	5 Channel Color Tuning ⁶	M	Motion Sensor ⁴		
				V	Daylight/Occupancy Sensor ⁴		

CONTROLS

LE	LUTRON Ecosystem
LV	LUTRON VIVE
PE	PHILIPS Easysense
NL	nLight
EO	EnlightedONE System ⁴

WARRANTY⁵

-	5 Year Warranty
10	10 Year Warranty
10L	10 Year Warranty including labor

*Only available when direct/indirect distribution is selected

¹ Fixture standard

² See below for Ordering Codes on Specialized Finishes. Example "101"

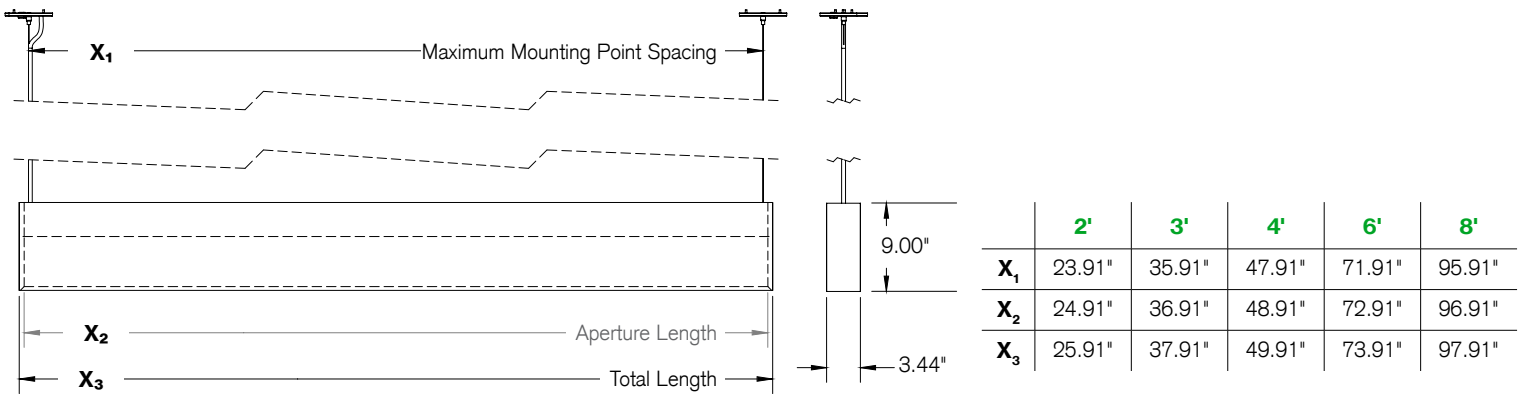
³ See page 3 for more information

⁴ Default sensor is the Enlighted ONE

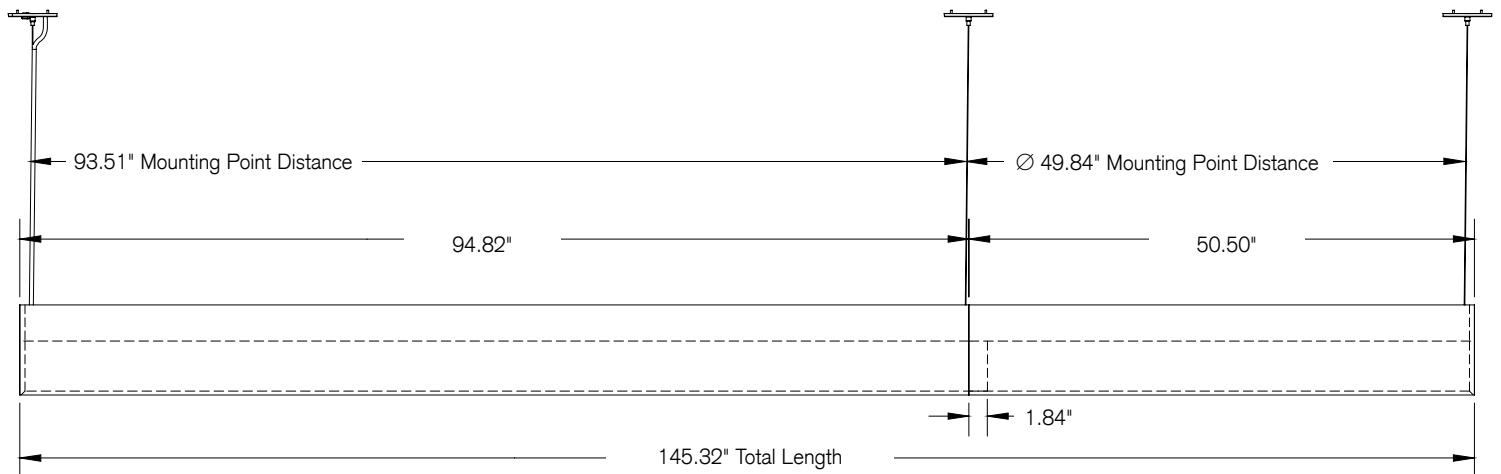
⁵ 5 Year Warranty is Standard unless specified

⁶ Tunable CCT options only available at High Output setting. Controlled using DLM or DMX system (see pages 4-5 for more info)

Dimensions



8FT START OF RUN



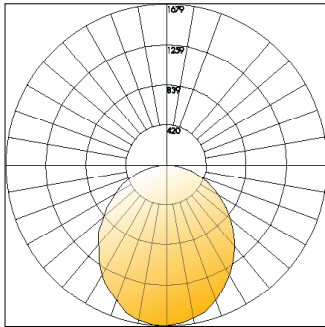
Specialized Colors



Please Note: All orders under 25 linear feet will require a one-time set up charge. Please consult factory for charge.

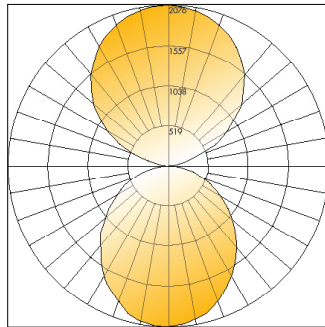
Photometrics

Polar Graph - 4' High Output 4000K



Delivered Lumens: 4640
CRI: 97

Polar Graph - 4' High Direct / High Indirect 4000K



Delivered Lumens: 10,400 (4640 Direct / 5760 Indirect)
CRI: 97

Direct (Down) Lumen Chart:

OUTPUT SELECTION	LOW	MEDIUM	HIGH
NOMINAL WATTAGE	7.5W/ft	10W/ft	15W/ft
LUMENS PER FOOT	570	855	1160
2' LENGTH			
System Wattage	12.00	18.00	24.00
Lumen Output	1140	1700	2320
3' LENGTH			
System Wattage	18.00	27.00	36.00
Lumen Output	1710	2550	3480
4' LENGTH			
System Wattage	24.00	36.00	49.00
Lumen Output	2280	3400	4640
6' LENGTH			
System Wattage	36.00	54.00	72.00
Lumen Output	3420	5100	6960
8' LENGTH			
System Wattage	48.00	72.00	96.00
Lumen Output	4560	6800	9280

Indirect (Up) Lumen Chart:

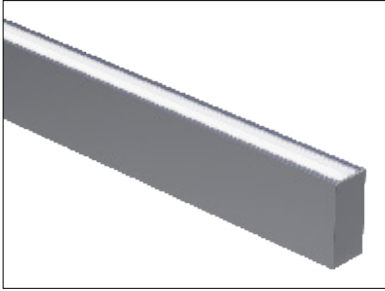
OUTPUT SELECTION	LOW	MEDIUM	HIGH
NOMINAL WATTAGE	7.5W/ft	10W/ft	15W/ft
LUMENS PER FOOT	720	1080	1440
2' LENGTH			
System Wattage	12.00	18.00	24.00
Lumen Output	1440	2160	2880
3' LENGTH			
System Wattage	18.00	27.00	36.00
Lumen Output	2160	3240	4320
4' LENGTH			
System Wattage	24.00	36.00	48.00
Lumen Output	2880	4320	5760
6' LENGTH			
System Wattage	36.00	54.00	72.00
Lumen Output	4320	6480	8640
8' LENGTH			
System Wattage	48.00	72.00	96.00
Lumen Output	5760	8640	11520

Lumen values shown are for 4000K models. For other color temperatures, use the below multipliers: 2700K: 0.85, 3000K: 0.90, 3500K: 0.95

For total system wattage consumption and lumen output, add the direct and indirect lumen and wattage data based on output settings desired.

Lens Accessories

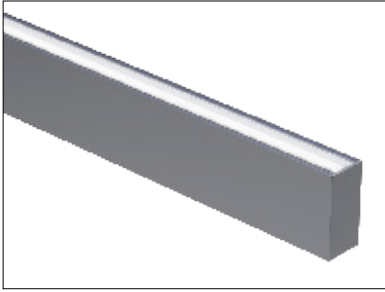
Asymmetric (Indirect)



A frosted PMMA lens with integrated TIR optic. Peak candela is at 60 degrees from Nadir.



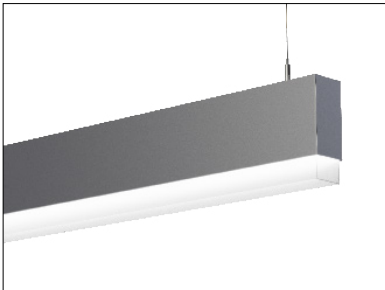
Batwing (Indirect)



A clear PMMA lens with integrated TIR optic, resulting in a broad, shallow batwing distribution. Provides excellent uniformity when luminaire is mounted close to the ceiling.



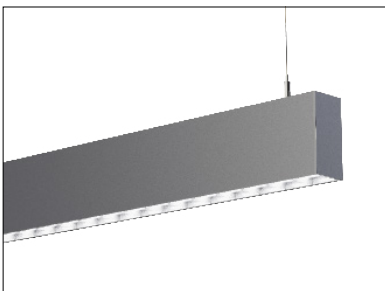
Drop Lens (Direct)
Available in 1/2" and 2"



A white frosted PMMA lens that protrudes from the luminaire housing by 0.5" or 1.5". End caps are chemically welded to the lens.



Louver (Direct)



A Semi-specular parabolic louver. 22 GA. Aluminum Louver depth 3/4" louver spacing 2" Provides excellent glare control.

