

VEGA™ - MUD-IN FLANGE

INSTALL INSTRUCTIONS



PLEASE USE A QUALIFIED ELECTRICIAN FOR INSTALLATION. Read the instructions before installing or use of the luminaire.

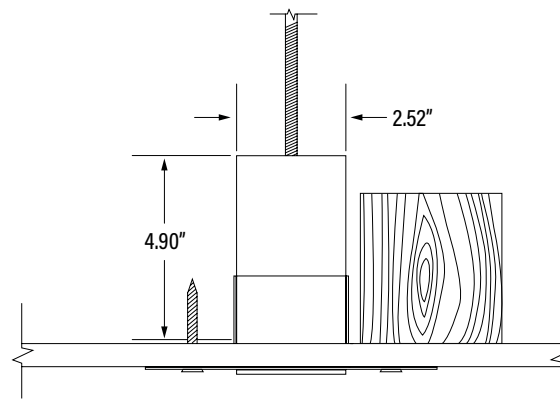
WARNING, CAUTIONS AND OPERATING INSTRUCTIONS

- Read carefully before installing fixture. Retain for future reference.
- To prevent electrical shock, turn off electricity at breaker panel before proceeding.
- Failure to follow instructions may result in serious injury or death.
- Upon receipt the fixture, thoroughly inspect for any freight damage which should be brought to the attention of the delivery carrier. Compare the catalog description listed on the package slip with the fixture label on the housing to assure you have received the correct material.
- This fixture must be wired on 120-277V AC, in accordance with the National Electrical Code (NEC) and applicable local codes and ordinances. Proper grounding is required to insure personal safety and correct operation. Carefully observe the correct grounding procedure under installation section.
- Suitable for dry and damp locations.

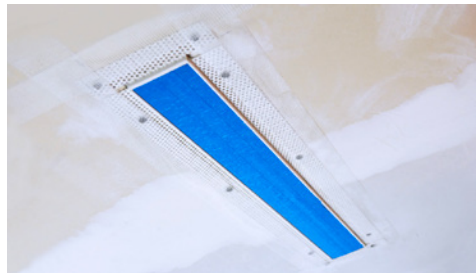
INSTALLATION



WARNING DISCONNECT POWER BEFORE INSTALLING OR SERVICING.



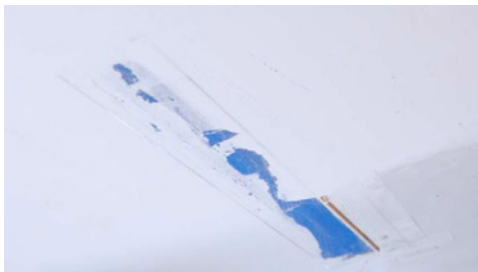
1. Install the luminaire into the drywall by screwing through the perforated flange into the wood backing above. Keep the light engine and lens in place during installation. Cover the flange edges with fiberglass tape.



2. Mask the lens with painter's tape.



3. Apply thin layers of plaster over the flange, working consecutively with 6-, 8-, and 12-inch plastering trowels.



4. Remove any excess plaster from the tape and painted surfaces.



5. After the paint has dried, remove the tape. Power may now be restored.