

VEGA™

Client: _____ Order #: _____
 Project Name: _____ Type: _____ Qty: _____

SURFACE/RECESSED FLANGELESS

Ambient Linear LED

Performance Data

CRI

95 min with R9 of 69 or better

CCT

2700K, 3000K, 3500K, 4000K,
5 Channel Color Tuning

Projected Lifetime

240,000 Hours (L80);
110,000 Hours (L90)

Dimming

0-10V dimming standard

Operating Temperature

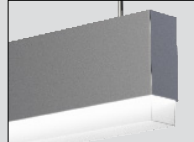
-30°C to +55°C (-22°F to +131°F)

Location

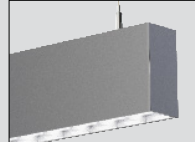
Approved for dry and damp
locations

Warranty

5 year Standard
10 year Optional



Drop Lens 1/2" or 2" (Direct)



Louver (Direct)

10 Yr

Warranty
Available

BAA

Compliant
Available

Description

The Vega™ is a 2^{7/8}" wide linear architectural luminaire. While the Vega™ has a slim and discreet profile, it provides excellent illumination for offices, laboratories, libraries, and commercial spaces. Vega™ is available in standard lengths of 2', 3', 4', 6', and 8', and can be joined together in seamless runs of any length in 1 foot increments.

Features

- Up to 1200 lm/ft direct at 4000K
- Profile Dimensions: 2.96" wide x 4.6" high
- End Caps: Die cast aluminum with powder coat finish
- Housing: Extruded Aluminum with powder coat finish
- Direct Lens: Extruded Satin Acrylic
- Light Engine: Aluminum core LED board mounted to a white extruded chassis with integral driver and quick electrical disconnects for rapid tool-less servicing
- Weight: 30 pounds (8ft luminaire)

Ordering Options Contact sales representative to order.

FIXTURE SERIES		CCT		FINISH ⁵		CONTROLS	
V2S	Surface	27	2700K	W	Textured White	LE	LUTRON Ecosystem
LENGTH		30	3000K	S	Textured Silver	LV	LUTRON VIVE
2	2'	35	3500K	B	Textured Black	PE	PHILIPS Easysense
3	3'	40	4000K	##	Specialized Colors ^{3,4}	NL	nLight
4	4'	5W	5 Channel Color Tuning ²	C	Textured Custom Colors	EO	EnlightedONE System ⁷
6	6'	DIRECT LENS		OPTIONS		WARRANTY ⁹	
8	8'	—	Frosted ⁷	E	Emergency Battery Backup	-	5 Year Warranty
Sxxx	System ¹	C	1/2" Drop Lens	T	Daylight Sensor ⁶	10	10 Year Warranty
OUTPUT		D	2" Drop Lens	M	Motion Sensor ⁶	10L	10 Year Warranty including labor
L	7.5W/ft	L	Louver	V	Daylight/Occupancy Sensor ⁶		
M	10W/ft	VOLTAGE					
H	15W/ft	U	120-277V				

¹Replace "xxx" with desired system length, in feet. See Continuous Run Guide for additional information (separate document)

²Tunable CCT options only available at High Output setting. ³See below for Ordering Codes on 24 Specialized Finishes. Example "07"

⁴Please Note: All orders under 25 linear feet will require a one-time set up charge. Please consult factory for charge.

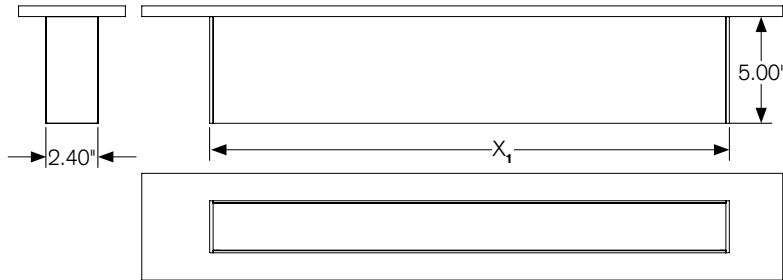
⁵All finishes are textured unless specified otherwise by the customer

⁶Default sensor is the Enlighted One

⁸Fixture standard

⁹5 Year Warranty is Standard unless specified

Dimensions



	2	3	4	6	8
X ₁	24.3"	36.3"	48.3"	72.3"	96.3"

Specialized Colors

01	RAL #7035
02	RAL #7038
03	RAL #9005
04	RAL #9010
05	RAL #9003
06	RAL #9001
07	RAL #7044

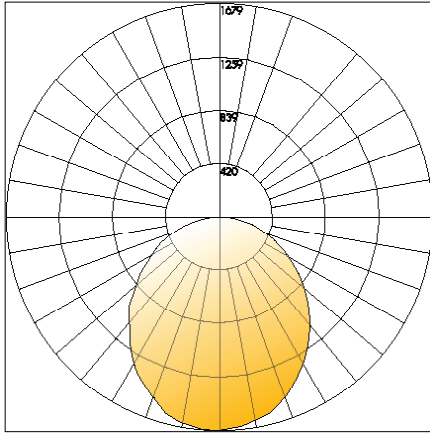
08	RAL #8025
09	RAL #6011
10	RAL #8028
11	RAL #8017
12	RAL #7004
13	RAL #7016
14	RAL #7031
15	RAL #7039

16	RAL #4006
17	RAL #2004
18	RAL #4010
19	RAL #3027
20	RAL #6027
21	RAL #5015
22	RAL #6019
23	RAL #1018
24	RAL #7024

Please Note: All orders under 25 linear feet will require a one-time set up charge. Please consult factory for charge.

Photometrics

Polar Graph - 4' High Output 4000K



Delivered Lumens: 4640
CRI: 97

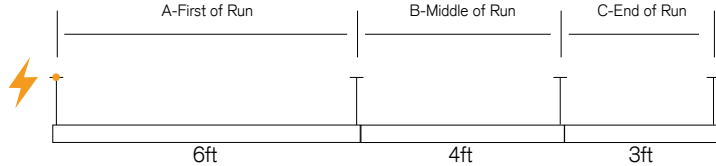
Direct (Down) Lumen Chart:

OUTPUT SELECTION	LOW	MEDIUM	HIGH
NOMINAL WATTAGE	7.5W/ft	10W/ft	15W/ft
LUMENS PER FOOT	570	855	1160
2' LENGTH			
System Wattage	12.00	18.00	24.00
Lumen Output	1140	1700	2320
3' LENGTH			
System Wattage	18.00	27.00	36.00
Lumen Output	1710	2550	3480
4' LENGTH			
System Wattage	24.00	36.00	49.00
Lumen Output	2280	3400	4640
6' LENGTH			
System Wattage	36.00	54.00	72.00
Lumen Output	3420	5100	6960
8' LENGTH			
System Wattage	48.00	72.00	96.00
Lumen Output	4560	6800	9280

Lumen values shown are for 4000K models. For other color temperatures, use the below multipliers:
2700K: 0.85, 3000K: 0.90, 3500K: 0.95

Continuous Runs

When a system run is ordered, individual sections are shipped, labeled with their Section of Run noted at the end of the part number. Shown below is an example of a 13' continuous run. For more information, refer to the continuous run guide.

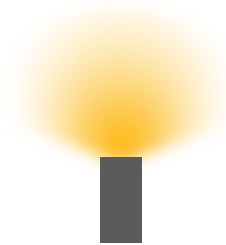


Lens Accessories

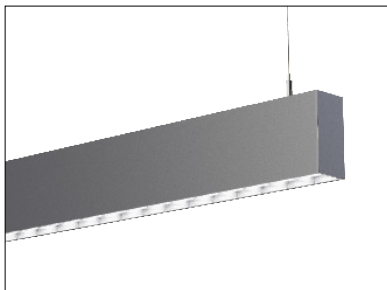
Drop Lens (Direct)
Available in 1/2" and 2"



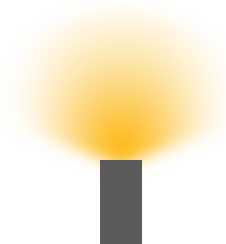
A white frosted PMMA lens that protrudes from the luminaire housing by 0.5" or 1.5". End caps are chemically welded to the lens.



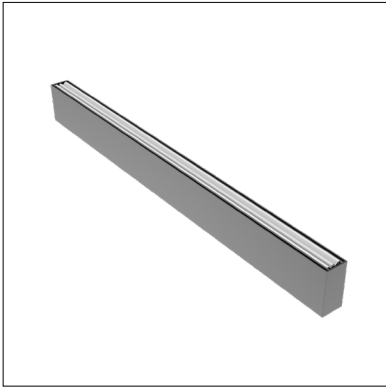
Louver (Direct)



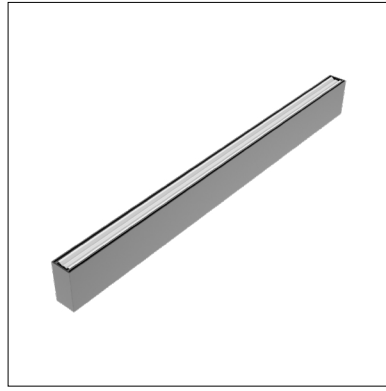
A Semi-specular parabolic louver. 22 GA. Aluminum Louver depth 3/4" louver spacing 2" Provides excellent glare control.



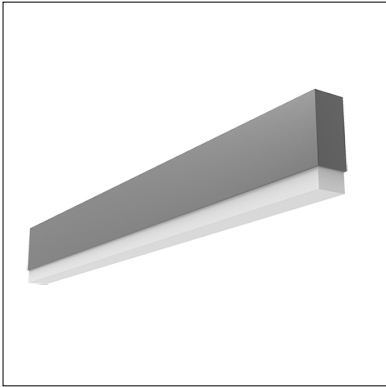
Accessories



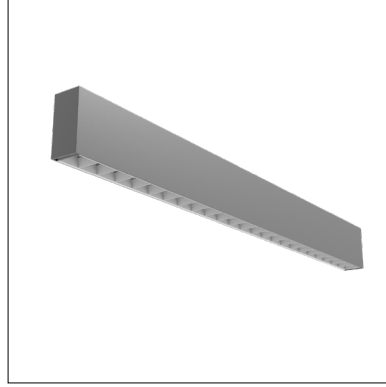
Asymmetric (Indirect)



Batwing (Indirect)



Drop Lens (Direct)
Available in 1/2" and 2"



Louver (Direct)