

VEGA™ - RECESSED T-BAR

INSTALL INSTRUCTIONS

PLEASE USE A QUALIFIED ELECTRICIAN FOR INSTALLATION. Read the instructions before installing or use of the luminaire.

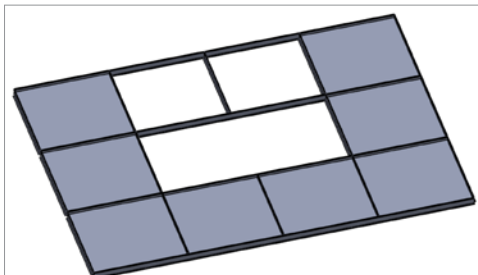
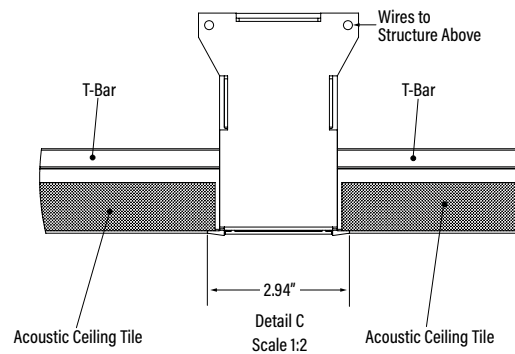
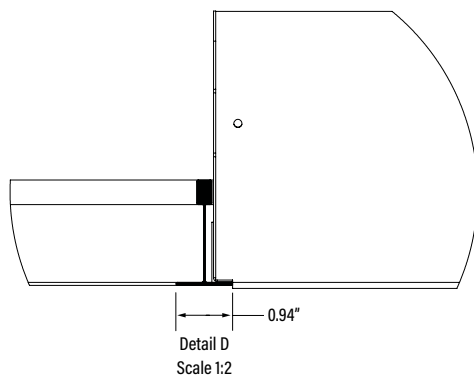
WARNING, CAUTIONS AND OPERATING INSTRUCTIONS

- Read carefully before installing fixture. Retain for future reference.
- To prevent electrical shock, turn off electricity at breaker panel before proceeding.
- Failure to follow instructions may result in serious injury or death.
- Upon receipt the fixture, thoroughly inspect for any freight damage which should be brought to the attention of the delivery carrier. Compare the catalog description listed on the package slip with the fixture label on the housing to assure you have received the correct material.
- This fixture must be wired on 120-277V AC, in accordance with the National Electrical Code (NEC) and applicable local codes and ordinances. Proper grounding is required to insure personal safety and correct operation. Carefully observe the correct grounding procedure under installation section.
- Suitable for dry and damp locations.

INSTALLATION



WARNING DISCONNECT POWER BEFORE INSTALLING OR SERVICING.



1. Turn off power. Remove the ceiling tile at the desired location, along with the adjacent tile(s), to allow better access.



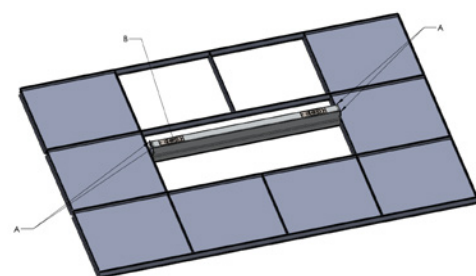
2. Take off the Vega knockout plate and disconnect the pigtail.



3. Attach the knockout plate to the flex conduit. Connect the pigtail to the conduit wiring.



4. Place the Vega luminaire into the ceiling grid at the desired location. The luminaire ends rest on the cross tees.



5. Attach a structural wire to the fixture ends (A) and secure it to the structure above. Knockout plate (B)



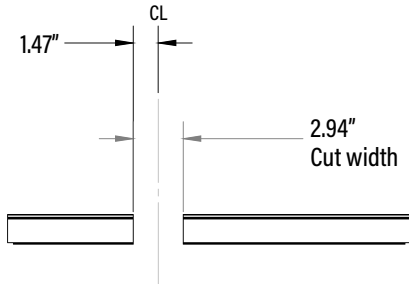
6. Make the electrical connections, then tuck the wires into the housing, then insert the knockout plate (B) and secure it with the provided screw.

VEGA™ - RECESSED T-BAR

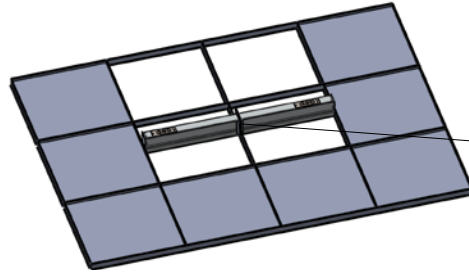
INSTALL INSTRUCTIONS

INSTALLATION

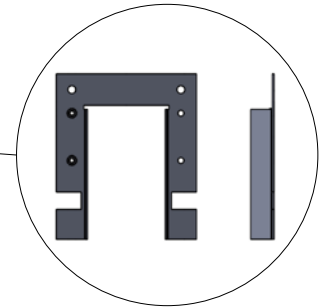
! WARNING DISCONNECT POWER BEFORE INSTALLING OR SERVICING.



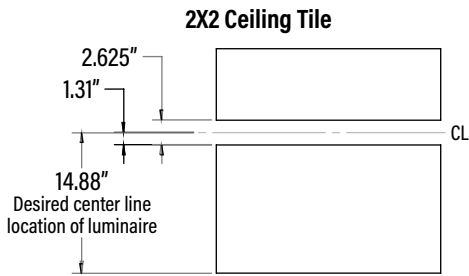
7a. Reinstall the cross tee. Remove 2.94" from the cross tee at the desired position of the luminaire.



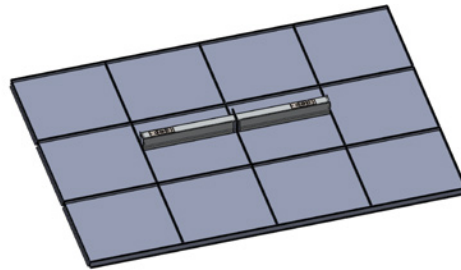
7b. Attach the supplied braces to both sides of the cross tee and fasten them securely. Use structural wire to anchor the assembly to the structure above.



Brace
(Two required per cross tee)



8a. Reinstall tiles. Remove 2.625" from the tile at the desired location of the luminaire.



8b. Install them on both sides.



10. Power may now be restored.