

LED V2 WALL PACKS • 120-277V

INSTALL INSTRUCTIONS



PLEASE FIND A QUALIFIED ELECTRICIAN FOR INSTALLATION. Please read the instructions before you install and use the luminaire.

- This product must be installed in accordance with the national electric code (NEC) and all applicable federal, state and local electric codes and safety standards.
- To prevent personal injury or product damage only licensed electricians should install.
- To avoid electric shock or component damage disconnect power before attempting installation or servicing.
- Any alteration or modification of this product is expressly forbidden as it may cause serious personal injury, death, property damage and/or product malfunction.
- To prevent product malfunction and/or electrical shock this product must be properly grounded.
- This luminaire is designed to operate in ambient temperatures ranging from -40°C to 40°C and to be horizontally mounted with the LEDs facing down.
- Disconnect product and allow cooling prior to servicing.
- No user serviceable parts inside.
- Wall mount only.
- Suitable for wet locations.
- **NOTE:** These instructions do not cover all details or variations in equipment, nor do they provide for every possible situation during installation, operation or maintenance.

! WARNING DISCONNECT POWER BEFORE INSTALLING OR SERVICING.

LOCATION: Fixture should be located on a wall at least 18" below any overhang or other structural detail. Fixture should not be recessed. The fixture should be mounted in the horizontal position.

MOUNTING

The back plate has a cast-in drill and knock-out template to match any standard recessed junction box and four 1/2" NPS tapped holes (Fig. 1) for surface conduit, photo control, etc.

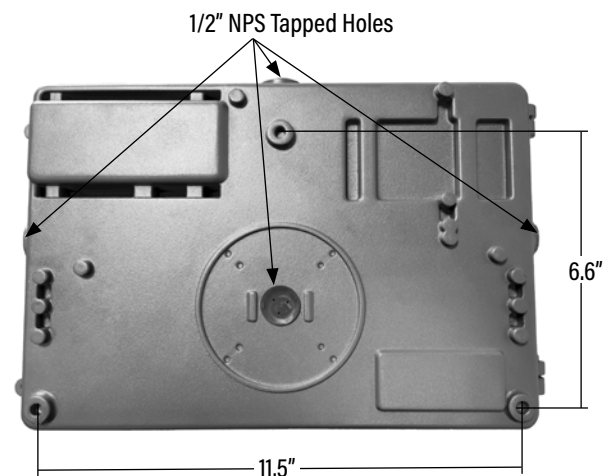
For more secure installation, bolt backplate to mounting surface using standoffs (shown in Fig. 1 at 11.5" x 6.6" spacing).

1. Open the fixture from the front by removing the two screws located on the right side of the housing. If you need to completely remove the lens door from the fixture during installation, carefully disconnect the red and black wires at the Wago quick-disconnect, lift the lens door off the hinges, and set aside for later re-installation.
2. Knock out/drill holes in the rear housing for mounting fixture to wall and for securing to junction box (J-box not provided).
3. Apply silicone sealant (not provided) to any mounting holes to prevent water entry.
4. Secure fixture to wall with two or more screws.
5. Secure fixture to junction box with screws.
6. Complete input wiring connections to power source and ground (see Wiring Connections for instructions).
7. Reinstall lens door, reconnect the wire leads from the driver to the lens door panel (red-to-red, black-to-black if you unhooked them at Step 1), and secure with the lens screws.

WIRING CONNECTIONS

Complete the wiring to the power source and ground (Fig 2). Universal voltage driver permits operation at 120 to 277V, 50 or 60Hz.

1. Connect the black fixture line to the (L) Live line supply wire.
2. Connect the white fixture line to the (N) Neutral line supply wire.
3. Connect the green fixture line to the (G) Ground line supply ground.



WIRING CONNECTIONS

120-277V

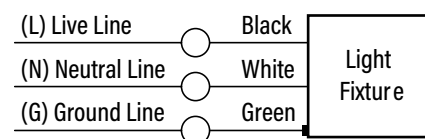


Fig 2

LED V2 WALL PACKS • 120-277V

INSTALL INSTRUCTIONS



0-10V DIMMABLE WIRING CONNECTIONS - (IF APPLICABLE)

Universal voltage driver permits operation at 120V through 277V, 50 or 60 Hz. For 0-10V Dimming, follow the wiring directions below and diagram in 0-10V Dimmable Wiring Connections (see Fig. 3).

1. Connect the black fixture lead to the (+) LINE supply lead.
2. Connect the white fixture lead to the (-) COMMON supply lead.
3. Connect the GROUND wire from fixture to supply ground. Do NOT connect the GROUND of the dimming fixture to the output.
4. Connect the purple fixture lead to the (V+) DIM lead.
5. Connect the gray fixture lead to the (V-) DIM lead.
6. Cap the yellow fixture lead, if present. Do NOT connect.

NOTE: Cap 0-10V driver dimmer leads separately if unused. Failure to do so may cause flickering lights, premature failure, and void warranty.

CLEANING & MAINTENANCE

CAUTION: Be sure that the fixture temperature is cool enough to touch. Do not clean or maintain while fixture is energized.

1. Clean glass lens with non-abrasive glass cleaning solution.
2. Do not open fixture to clean the LED. Do not touch the LED

TROUBLESHOOTING

- Verify the proper line voltage is present and the fixture is wired correctly.
- Check that the fixture is grounded.

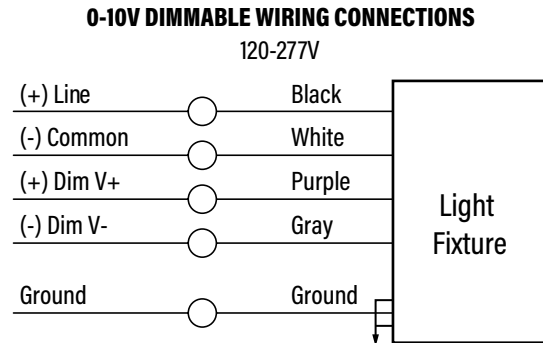


Fig 3