

LED SPEC-SELECT™ VAPOR TIGHT

INSTALL INSTRUCTIONS



PLEASE FIND A QUALIFIED ELECTRICIAN FOR INSTALLATION. Please read the instructions before you install and use the luminaire.

WARNING, CAUTIONS AND OPERATING INSTRUCTIONS

- To reduce the risk of death, personal injury or property damage from fire, electric shock, falling parts, cuts/abrasions, and other hazards read all warnings and instructions included with and on the fixture box and all fixture labels.
- Before installing, servicing, or performing routine maintenance upon this equipment, follow these general precautions.
- Commercial installation, service and maintenance of luminaires should be performed by a qualified licensed electrician.
- For the installation: If you are unsure about the installation or maintenance of the luminaires, consult a qualified licensed electrician and check your local electrical code.
- To prevent wiring damage or abrasion, do not expose wiring to edges of sheet metal or other sharp objects.
- Do not make or alter any open holes in an enclosure of wiring or electrical components during kit installation.

WARNING: RISK OF FIRE OR ELECTRICAL SHOCK

- Turn off electrical power at fuse or circuit breaker box before wiring fixture to the power supply.
- Turn off the power when you perform any maintenance.
- Verify that supply voltage is correct by comparing it with the luminaire label information.
- All wiring connections should be capped with UL approved wire connectors.

CAUTION: RISK OF INJURY

- Avoid direct eye exposure to the light source while it is on.
- Account for small parts and destroy packing material, as these may be hazardous to children.
- Risk of burn. Disconnect power and allow fixture to cool before changing bulb or handling fixture.

NOTICES:

- Green ground screw provided in proper location. DO NOT RELOCATE.
- Minimum 90° supply conductors.
- Suitable for Wet Locations.

! WARNING DISCONNECT POWER BEFORE INSTALLING OR SERVICING.

Installation Steps:

1. Locate drill holes for mounting brackets shown in (Fig. 1). Use hardware found in hardware kit. Mount bracket to surface.
2. Remove lens from packaging and set a side. Detach LED tray from fixture. (Fig. 2)
3. Attach body to mounting clips.
4. Attach safety cables to fixture body and snap connect cables to LED tray before making electrical connection. (Fig. B)
5. Connect power to the driver through the outlet box as shown in (Fig. C - flexible cord supplied by installer), make sure to re-attach the cover to the outlet box after wiring.
6. Follow the general wiring diagram in (Fig. A) for reference. Make sure the power supply is disconnected before installing.
7. Re-attach LED tray to the fixture by reversing step 2.
8. Install the lens by using the clips to securely attach the lens to the fixture body. Restore power.

NOTE:

- Connect the flexible cord (SJTW 18AWG) to the outlet box, and cover the outlet box with per NEC and local codes.
- Ensure that the box is sealed for wet locations.

Fig. 1

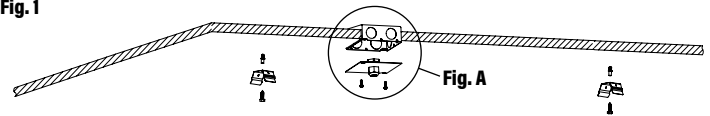


Fig. 2

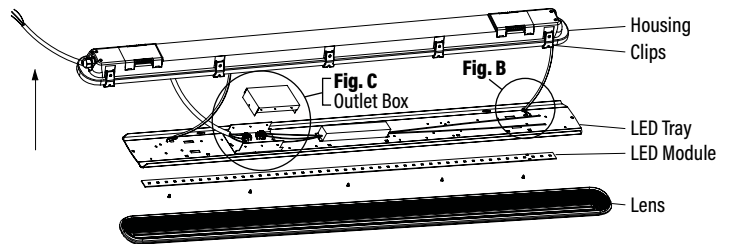


Fig. A

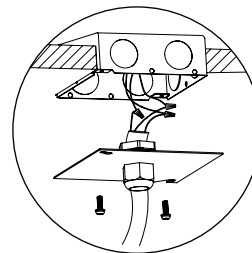


Fig. B

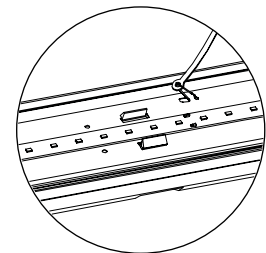
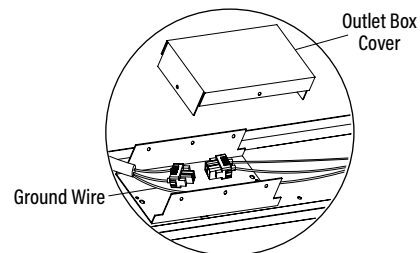
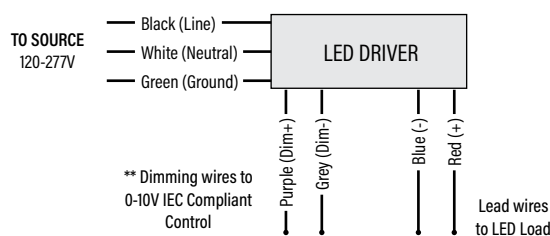


Fig. C



GENERAL WIRING DIAGRAM



LED SPEC-SELECT™ VAPOR TIGHT

INSTALL INSTRUCTIONS



WARNING - TURN OFF POWER SUPPLY FROM MAIN CIRCUIT BREAKER BEFORE INSTALLING OR SERVICING.

FIELD ADJUSTABLE WATTAGE & CCT

The end users may adjust the color temperature and lumen output, respectively, by the two slide switches integrated into the driver. Each switch has 3 options (left, middle and right), each position corresponds to 1 of 3 color temperatures (Warm White, Cool White, and Sky-Brite®) and 1 of 3 wattages, which can be adjusted to the desired combination.

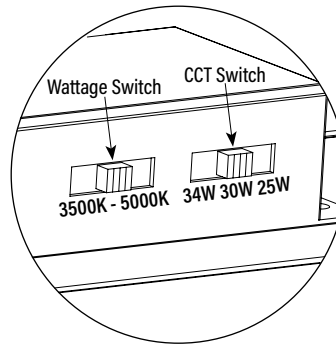
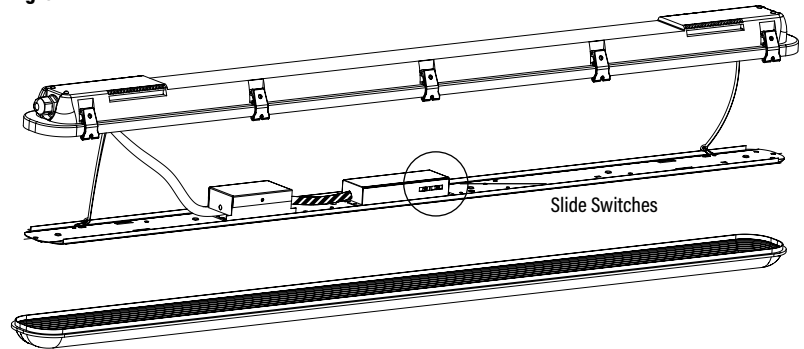
Default Settings for 55605: 34W, 5000K

Default Settings for 55606: 45W, 5000K

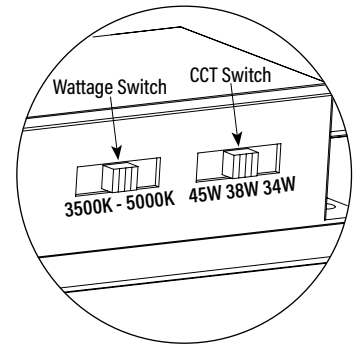
Default Settings for 55608: 90W, 5000K

1. Switches are located on the driver. (Fig. 3)
2. Select a wattage and color temperature by sliding switch left or right respectively to the desired value. (Fig. 3)

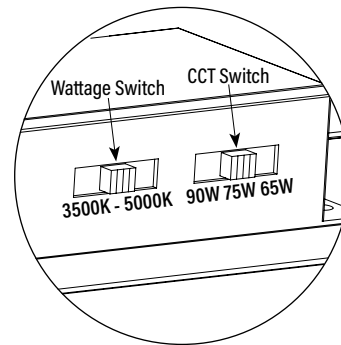
Fig. 3



55605



55606



55608