

# VECTOR™

Architectural LED Luminaire

## **INSTALLATION INSTRUCTIONS**

---

This document explains mounting for pendant, recessed, and wall

## PENDANT - STEP ONE INSTALL MOUNTING POINTS

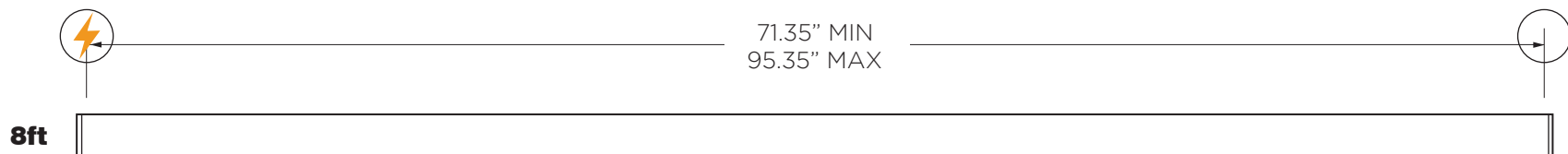
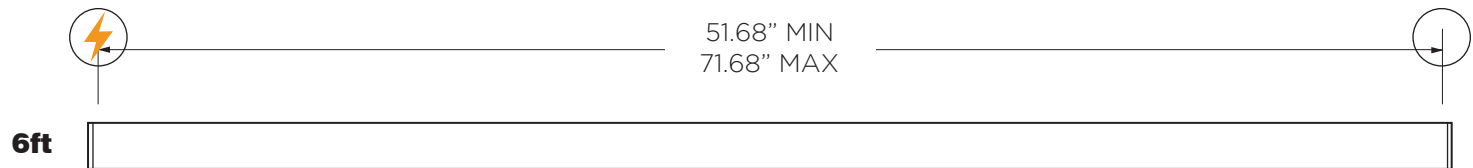
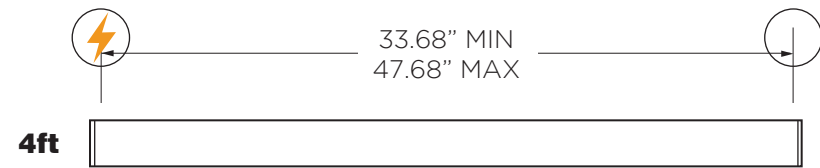
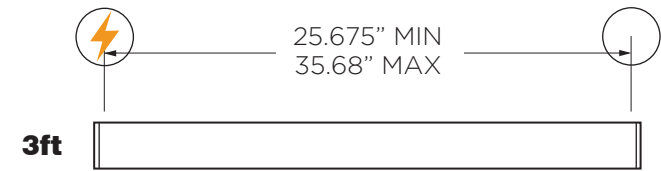
VECTOR™

Non-power feed mounting points may be positioned 1" to 12" or 12" to 18" from the end of the luminaire.

- Recommended that mounting point be positioned within 12 inches of end cap for support
- Reference Continuous Run Guide at [www.getdeco.com](http://www.getdeco.com) for additional information.

 = Power Feed Canopy

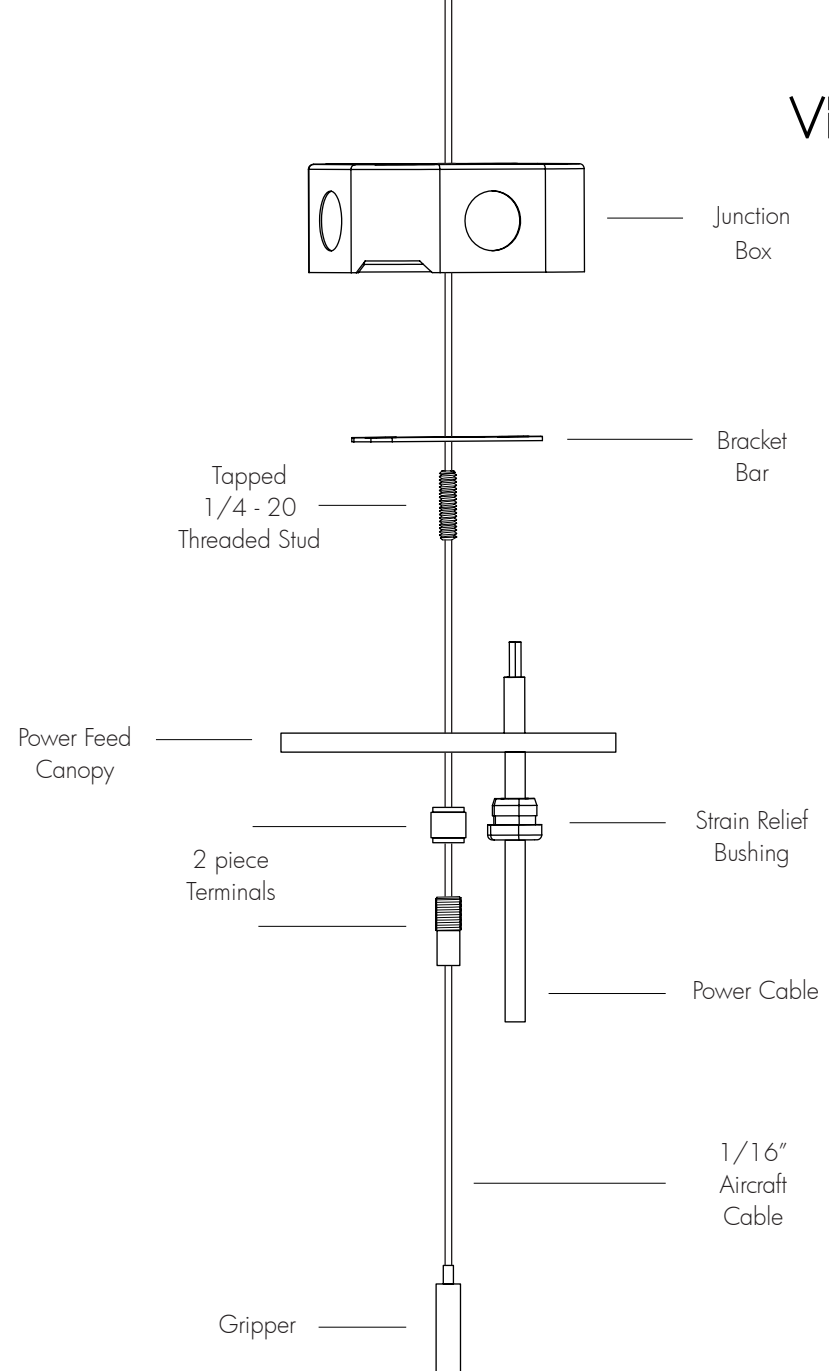
 = Non-Power Feed Canopy



## PENDANT - STEP TWO INSTALL POWER FEED MOUNT

- All electrical circuits should be turned off before starting work.
- Please follow local and national electrical codes.

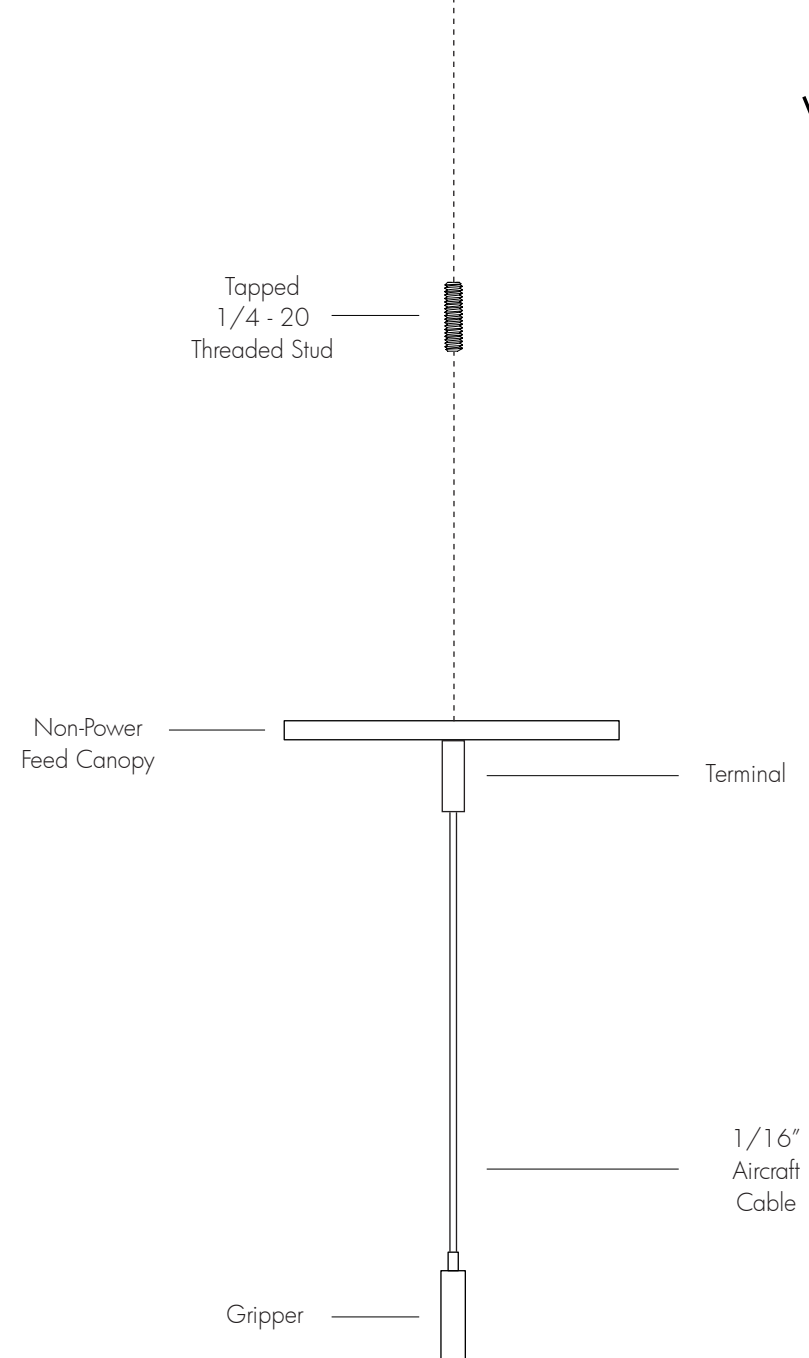
- A** - Install junction box (not included) at appropriate location.
- B** - Feed power wires into junction box and ground appropriately.
- C** - Install Bracket Bar to junction box using ground screws.
- D** - Install Threaded Stud into Bracket Bar.
- E** - Feed Aircraft Cable and through Terminals and Threaded Stud.
- F** - Thread Canopy on to aircraft cable.



**PENDANT - STEP THREE** INSTALL NON-POWER FEED MOUNT

VECTOR™

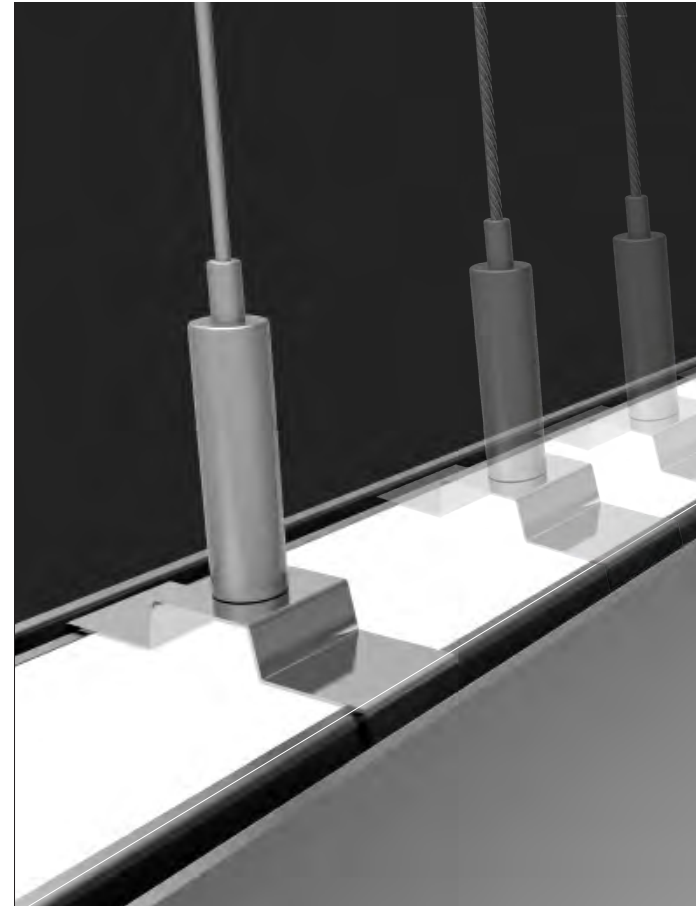
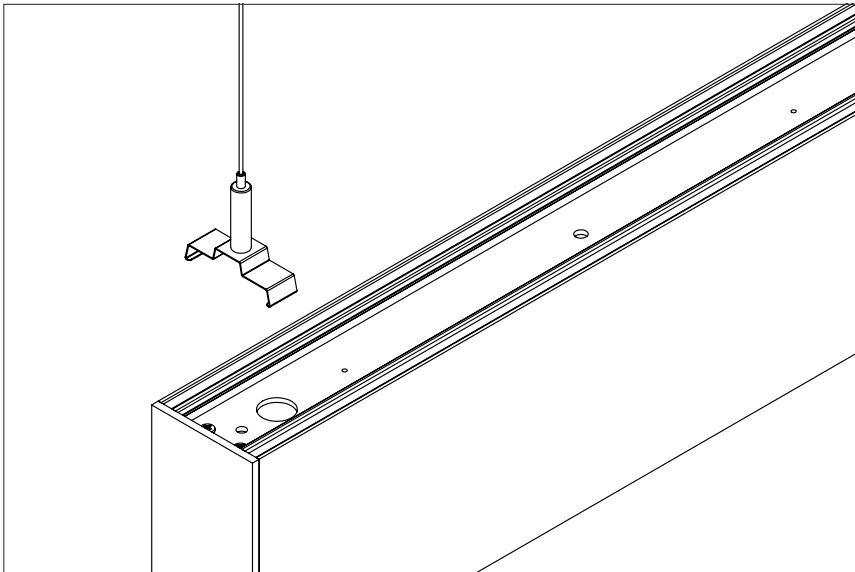
- A** - Install threaded stud (not included) into ceiling.
- B** - Install non-power feed canopy onto threaded stud.
- C** - Install aircraft cable and terminal to hold canopy in place.



## PENDANT - STEP FOUR HANG LUMINAIRE

VECTOR™

- A** - Lift luminaire into place, and insert aircraft cables into cable grippers
- B** - Adjust height of luminaire and level. Luminaire can be raised by pulling cable through the gripper and can be lowered by depressing the top cylinder on the gripper which pulls the luminaire down.
- C** - Make sure all parts are tightened and insert strain relief into canopy.
- D** - Snap cable clip on top of housing making sure it clicks completely.

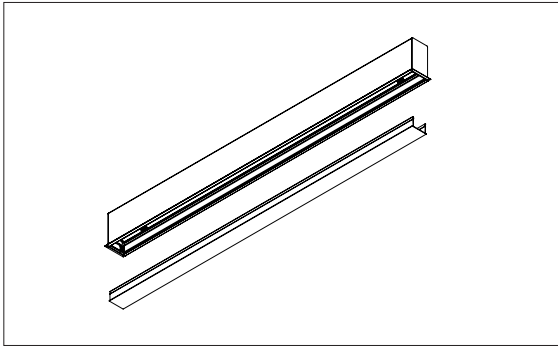


Adjust cables by gliding along the housing.

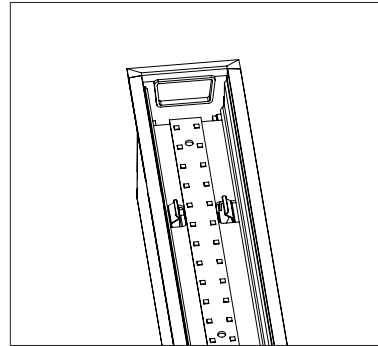
- Reference Continuous Run Guide at [www.getdeco.com](http://www.getdeco.com) for additional information.

**A** - Perform Steps 1 through 4 installing as many mounting points as required.

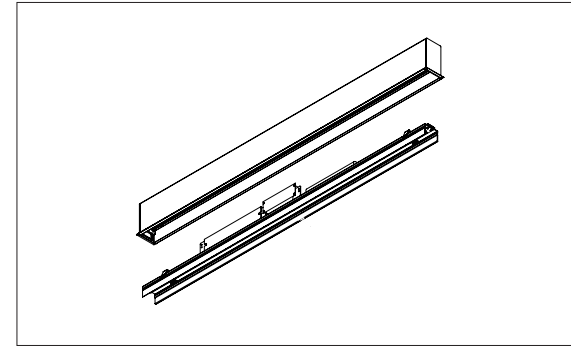
**B** - Remove lens and light engines.



1. Use small flat head screw driver or blade to pop lens out at ends of the fixture.



2. Squeeze clips to release tray.



3. Pull out light engine.

**C** - Hang 2nd luminaire by feeding aircraft cable into cable gripper on the end of the 2nd luminaire section.

**D** - Use provided Quick Connects to create electrical connections to 1st and 2nd sections.

**E** - Slide joiner/aligner from 2nd section into 1st section.

**F** - Use Connection Bracket to connect luminaire sections together. **DO NOT TIGHTEN COMPLETELY.**

**G** - Level 2nd section.

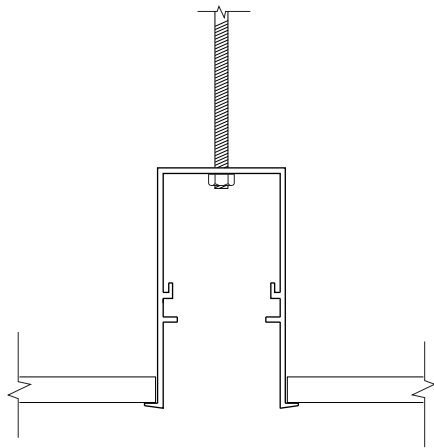
**H** - Insert lens and light engines.

**I** - Tighten Connection Bracket completely.

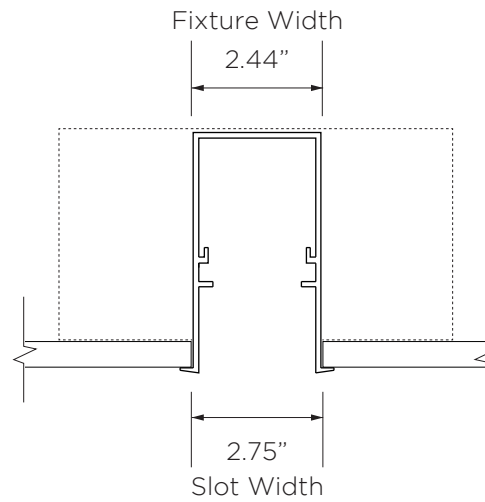
## RECESSED FLANGED MOUNTING OPTIONS

VECTOR™

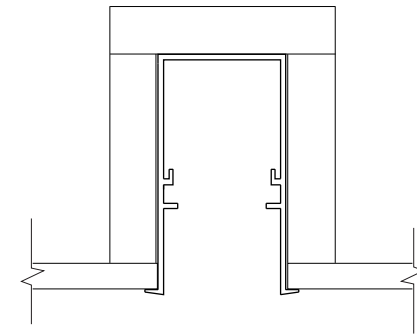
- Reference Surface Installation Instructions for Recessed Flangeless mounting instructions
- Dimensions and illustrations shown on this page are for Vector 2 only.



**THREADED ROD**



**RECESSED BRACKETS**



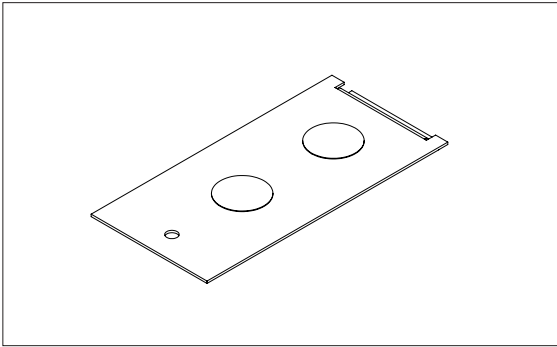
**FASTENERS**

## RECESSED FLANGED RECESSED BRACKETS

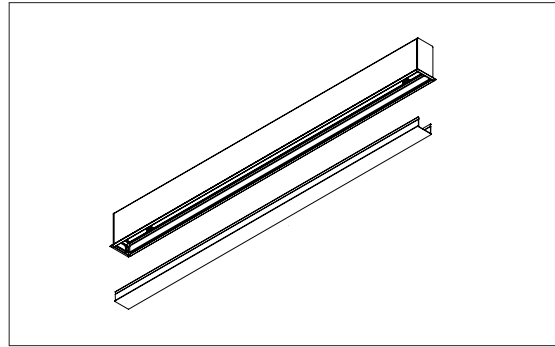
- Make sure path of bracket location is free of obstacles

VECTOR™

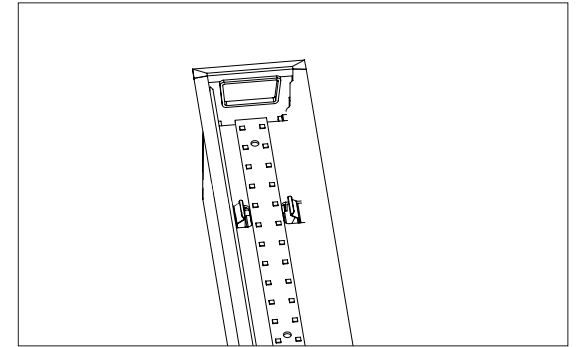
- A. Cut out slot for housing.  
B. Follow directions below:



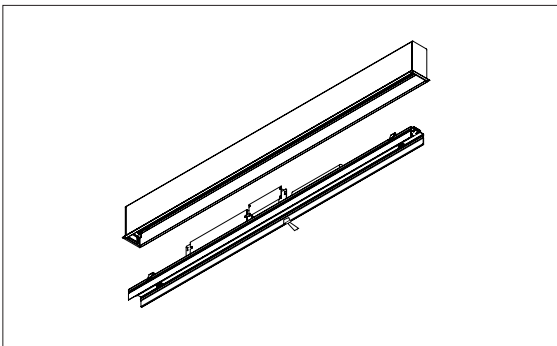
1. Take out knock out plate and install power whip.



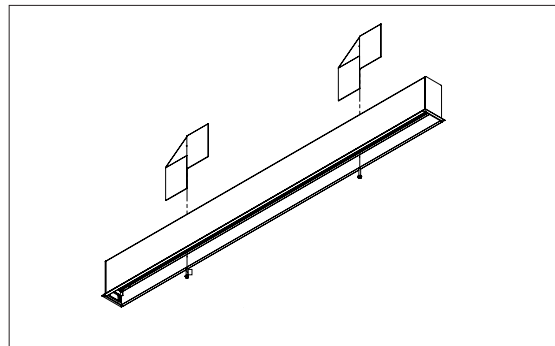
2. Use small flat head screw driver or blade to pop lens out at ends of the fixture.



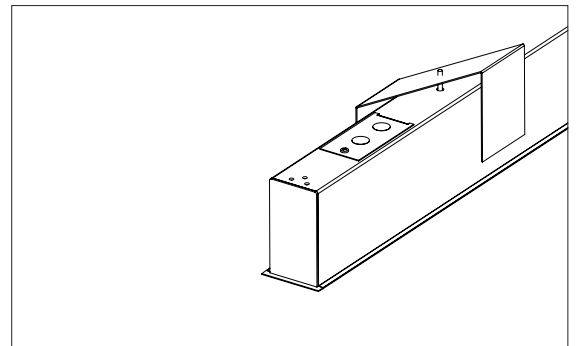
3. Squeeze clips to release tray.



4. Pull out light engine.



5. Set brackets on back of housing and insert 10/24 screws from INSIDE the housing.



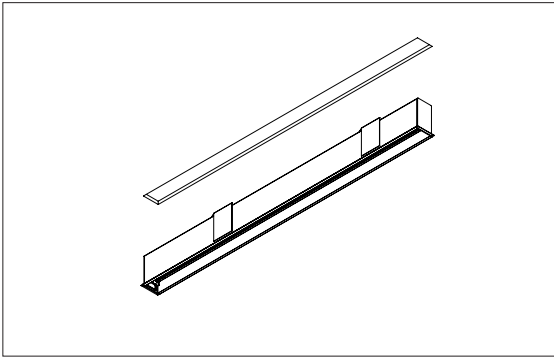
6. Screw in knock out plate.



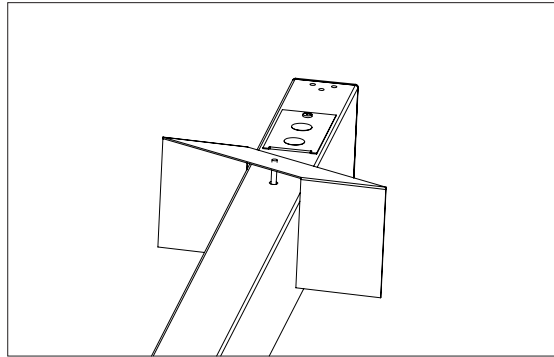
## RECESSED FLANGED RECESSED BRACKETS

- Make sure path of bracket location is free of obstacles

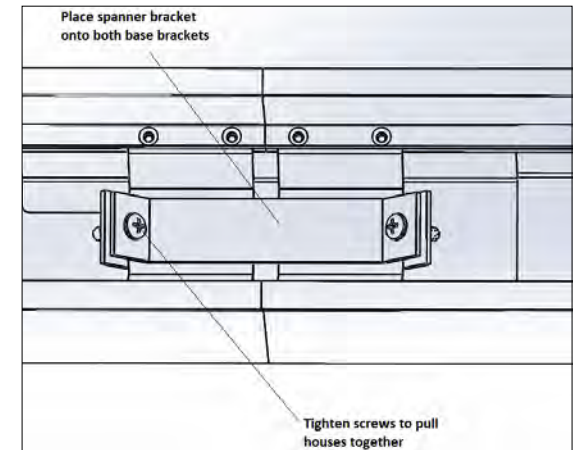
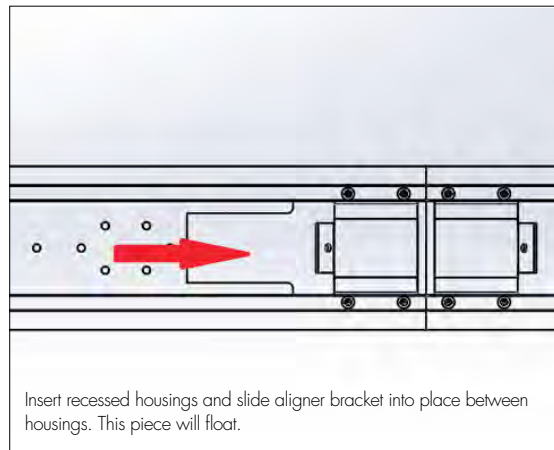
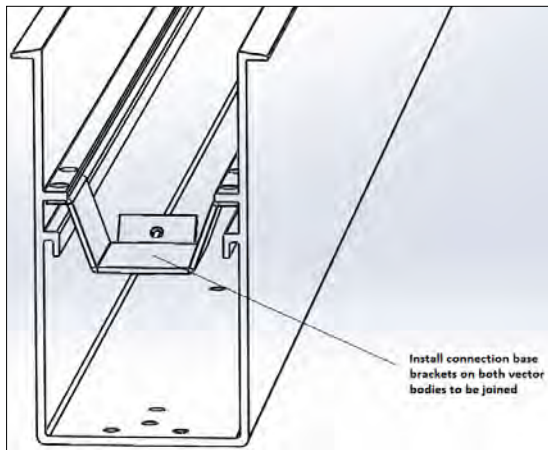
VECTOR™



7. Insert fixture into ceiling.



8. Tighten screws inside fixture to tighten brackets  
9. Recessed brackets will tighten automatically to secure in place.

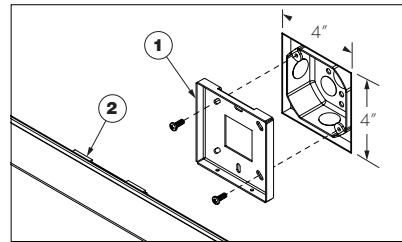
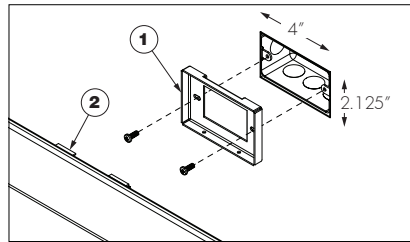


- C. Use provided Quick Connects to create electrical connections.  
D. Insert lens and light engines back into fixture.

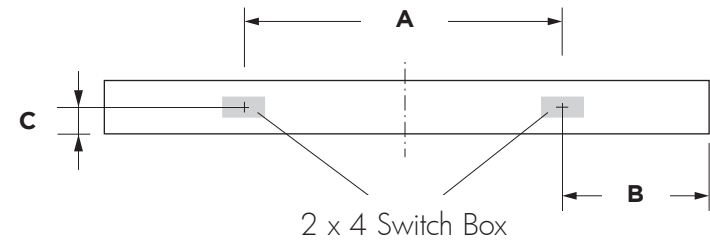
# WALL MOUNTING BRACKETS

- Make sure path of bracket locations are free of obstacles

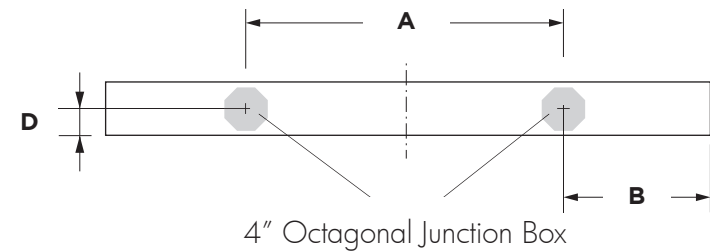
- A** - Install Bracket #1 with screws provided.
- B** - Feed power wires and ground appropriately.
- C** - Hook in Bracket #2 which arrives pre-installed.
- D** - Screw in additional screws at bottom of bracket if desired.



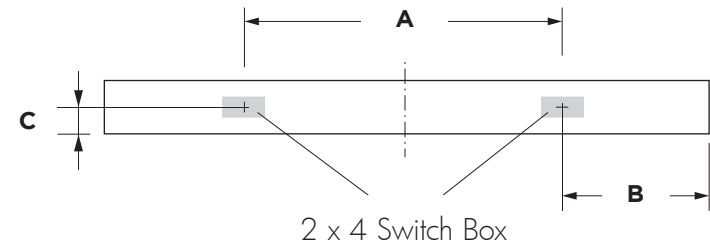
## VECTOR 1



## VECTOR 2



## VECTOR 3



	2 ft	3 ft	4 ft	6 ft	8 ft
<b>A</b>	16.00" 406.4mm	16.00" 406.4mm	32.00" 812.8mm	32.00" 812.8mm	64.00" 1625.6mm
<b>B</b>	4.00" 101.6mm	10.00" 254.0mm	8.00" 203.2mm	20.00" 508.0mm	16.00" 406.4mm
<b>C</b>	2.50" 63.5mm	2.50" 63.5mm	2.50" 63.5mm	2.50" 63.5mm	2.50" 63.5mm
<b>D</b>	3.10" 78.74mm	3.10" 78.74mm	3.10" 78.74mm	3.10" 78.74mm	3.10" 78.74mm