

VEGA™

V2 | PENDANT AMBIENT LUMINAIRE

OVERVIEW

Lumens

Up to 1160 (direct), 1400 (indirect) lm/ft

CRI

80+

CCT

2700K, 3000K, 3500K, 4000K
5 Channel Color Tuning

Voltage

120-277V

Dimming

0-10V dimming standard

Operating Temperature

-22°F to +131°F
(-30°C to +55°C)

Projected Lifetime


>240,000 Hours (L80);
>110,000 Hours (L90)

Standard Textured Finishes

White

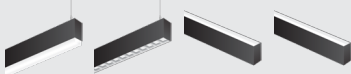
Silver

Black

 Specialized & Custom colors available.

Customization

Optional Lens



Control Compatible



Introducing the Vega™, a sleek 2 7/16" wide linear architectural luminaire. The Vega™ delivers exceptional illumination, with a sleek profile making it perfect for offices, lobbies, libraries, and commercial spaces. From minimalistic layouts to complex configurations illuminate your space with style and flexibility.

Features

- Versatile Sizing: Choose from standard lengths ranging between 2' to 8' or tailor it precisely with custom lengths in 1-foot increments.
- Profile measurements: 2.4" Wide x 5" High
- Dual Circuit Option: allows independent dimming of both direct and indirect lighting for a personalized ambiance.
- Illuminate with Ease: Our Light Engine features an aluminum core LED board seamlessly integrated onto a sleek white extruded chassis. Complete with an integral driver and convenient quick electrical disconnects, it enables rapid, tool-less servicing for hassle-free maintenance.
- Premium Build: durable extruded aluminum with a refined powder coat finish.
- Extruded Acrylic Lens: Direct - Satin Sheen, Indirect - Transparent
- Enhance your customization options with optional lenses, allowing you to tailor the lighting experience to your specific needs and preferences.
- Create seamless, uninterrupted illumination with the ability to effortlessly connect luminaires for a continuous run, ensuring a sleek and cohesive lighting solution throughout your space.
- Enable seamless integration with various control systems for effortless management and customization of your lighting environment.

10 YR

Warranty
Available*

BAA

Compliant
Available

BUILD WORKSHEET

Contact sales representative to order.

Sample Code: V28HHBBFCUSWEXXX

| | | | | | | | | | | | | | | | |
|-----------|---|---|---|---|---|---|---|---|----------|----|----|----|----|----|----|
| V2 | | | | | | | | | U | | | | | | |
| | 1 | 2 | 3 | 4 | 5 | 6 | 7 | 8 | 9 | 10 | 11 | 12 | 13 | 14 | 15 |

CODE DEFINITIONS

| 1. SERIES* | 2. LENGTH | 3. OUTPUT DOWN ¹ | 4. OUTPUT UP ¹ | 5. CCT DOWN | 6. CCT UP |
|------------------|--|-----------------------------|---|--|---|
| V2 Vega™ Pendant | 2 2FT 3 3FT 4 4FT 6 6FT 8 8FT C Custom Length** | L Low M Mid H High | L Low M Mid H High X Direct Only | A 2700K B 3000K C 3500K D 4000K 5 5 Channel Color Tuning | A 2700K B 3000K C 3500K D 4000K 5 5 Channel Color Tuning X Direct Only |

| 7. DIRECT LENS | 8. INDIRECT LENS | 9. VOLTAGE | 10. WIRING | 11. FINISH | 12. MOUNTING Cable Length |
|--|--|------------|---|---|---|
| F Frosted Standard A ½" Drop Lens B 2" Drop Lens L Louver | C Clear Standard A Asymmetric B Batwing X Direct Only | U 120-277V | S Standard D Dual Circuit for Up/Down ² | W Textured White S Textured Silver B Textured Black Z Specialized ^{3,4} C Textured Custom Colors | A 24" B 48" C 60" D 72" E 96" F 120" G 150" H 180" I 240" |

| 13. SENSOR | 14. CONTROLS | 15. OPTION |
|---|---|-----------------------|
| X None A Daylight ⁵ B Motion ⁵ C Daylight/ Occupancy ⁵ | X None L Lutron Ecosystem V Lutron Vive P Philips Easysense N nLight E Enlighted One | X None E Emergency |

* Consult with sales representative for custom length, finishes and lead time.
¹ See Page 3 for output information.
² Dual circuit offered with 6 wire cord - two hots, neutral, ground, and 0-10V dimming.
³ All finishes are textured unless specified otherwise by the customer.
⁴ All orders under 25 linear feet will require a one-time set up charge. Please consult factory for charge.
⁵ Default sensor is the Enlighted Micro, see page 5.
⁶ 5 Year Warranty is Standard unless specified.

| | |
|---|-----------------------------------|
| 10 YR Warranty Available ⁶ | BAA Compliant Available |
|---|-----------------------------------|

| |
|-----------------------------|
| Project: _____ |
| Catalog #: _____ |
| Quantity: _____ Date: _____ |

WATTAGE/LUMEN CHART*

Lumen outputs shown are for 4000K.

Direct (Downlight)

| Size | 2FT | 3FT | 4FT | 6FT | 8FT |
|------|-----|-----|-----|-----|-----|
|------|-----|-----|-----|-----|-----|

LOW (7.5W per foot / 570 lumens per foot)

| | | | | | |
|---------|------|-------|------|------|------|
| Wattage | 15W | 22.5W | 30W | 45W | 60W |
| Lumens | 1140 | 1710 | 2280 | 3420 | 4560 |

MID (10W per foot / 855 lumens per foot)

| | | | | | |
|---------|------|------|------|------|------|
| Wattage | 20W | 30W | 40W | 60W | 80W |
| Lumens | 1710 | 2565 | 3420 | 5130 | 6840 |

HIGH (15W per foot / 1160 lumens per foot)

| | | | | | |
|---------|------|------|------|------|------|
| Wattage | 30W | 45W | 60W | 90W | 120W |
| Lumens | 2320 | 3480 | 4640 | 6960 | 9280 |

Indirect (Uplight)

| Size | 2FT | 3FT | 4FT | 6FT | 8FT |
|------|-----|-----|-----|-----|-----|
|------|-----|-----|-----|-----|-----|

LOW (7.5W per foot / 720 lumens per foot)

| | | | | | |
|---------|------|-------|------|------|------|
| Wattage | 15W | 22.5W | 30W | 45W | 60W |
| Lumens | 1440 | 2160 | 2880 | 4320 | 5760 |

MID (10W per foot / 1080 lumens per foot)

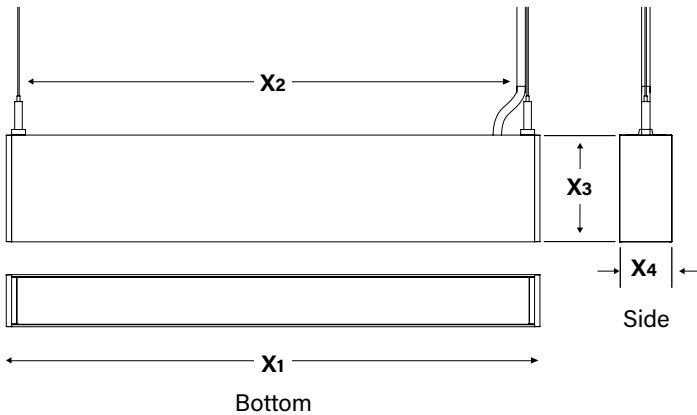
| | | | | | |
|---------|------|------|------|------|------|
| Wattage | 20W | 30W | 40W | 60W | 80W |
| Lumens | 2160 | 3240 | 4320 | 6480 | 8640 |

HIGH (15W per foot / 1440 lumens per foot)

| | | | | | |
|---------|------|------|------|------|-------|
| Wattage | 30W | 45W | 60W | 90W | 120W |
| Lumens | 2880 | 4320 | 5760 | 8640 | 11520 |

*For other color temps, use the following lumen factors: 5000K: 1.10 • 3500K: 0.80 • 3000K: 0.75
For total system wattage and lumen output, add the direct and indirect values based on output settings.

DIMENSIONS

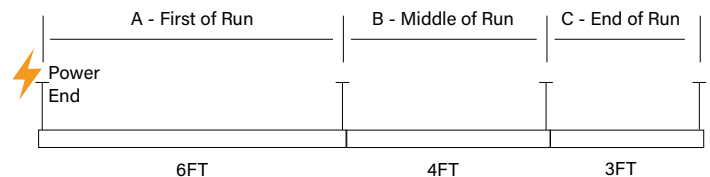


| Size | 2FT | 3FT | 4FT | 6FT | 8FT |
|-------------|-------|-------|-------|-------|-------|
| Length - X1 | 24.3" | 36.3" | 48.3" | 72.3" | 96.3" |
| Length - X2 | 23.4" | 35.4" | 47.4" | 71.4" | 95.4" |
| Height - X3 | 5" | | | | |
| Width - X4 | 2.4" | | | | |

Custom lengths available in 1-foot increments.

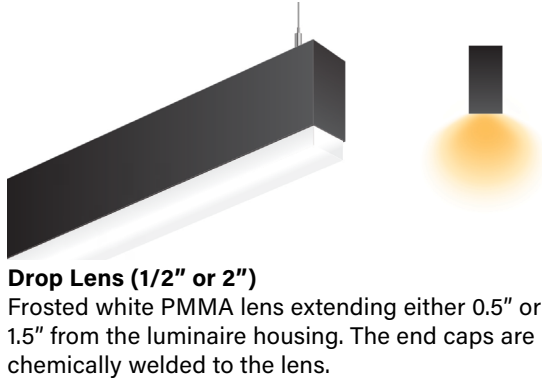
CONTINUOUS RUN

When placing an order for a continuous run, each section is shipped with a label indicating its designated "Section of Run," which is specified at the end of the part number. An illustration of a 13FT continuous run is provided to the right. For further details, contact sales representative.

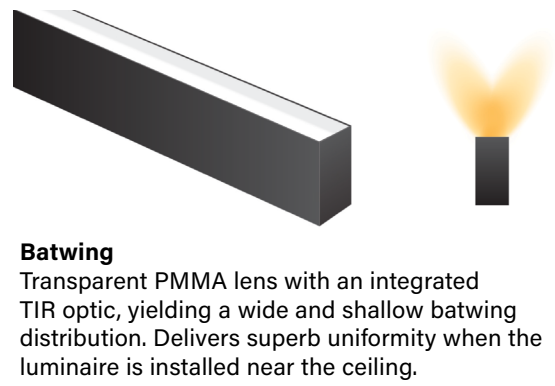
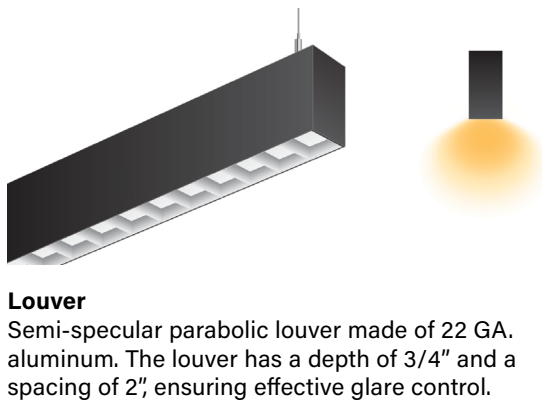
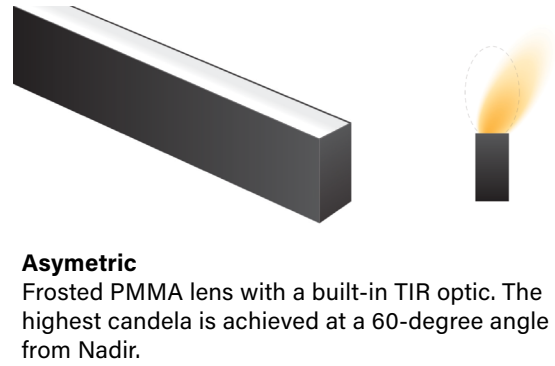


OPTIONAL LENSES

Direct Lenses



Indirect Lenses



 **SPECIALIZED COLORS**
Additional colors are available through RAL Color

| | | | | | |
|-----------------------------|-------------------------------|----------------------------------|----------------------------------|--------------------------------|--------------------------------|
| 01 - RAL#7035 Light Grey | 05 - RAL#9003 Signal White | 09 - RAL#6011 Reseda Green | 13 - RAL#7016 Anthracite Grey | 17 - RAL#2004 Pure Orange | 21 - RAL#5015 Sky Blue |
| 02 - RAL#7038 Agate Grey | 06 - RAL#9001 Cream | 10 - RAL#8028 Terra Brown | 14 - RAL#7031 Blue Grey | 18 - RAL#4010 Telemagenta | 22 - RAL#6019 Pastel Green |
| 03 - RAL#9005 Jet Black | 07 - RAL#7044 Silk Grey | 11 - RAL#8017 Chocolate Brown | 15 - RAL#7039 Quartz Grey | 19 - RAL#3027 Raspberry Red | 23 - RAL#1018 Zinc Yellow |
| 04 - RAL#9010 Pure White | 08 - RAL#8025 Pale Brown | 12 - RAL#7004 Signal Grey | 16 - RAL#4006 Traffic Purple | 20 - RAL#6027 Light Green | 24 - RAL#7024 Graphite Grey |

All orders under 25 linear feet will require a one-time set up charge. Please consult factory for charge.

 **CONTROLS**

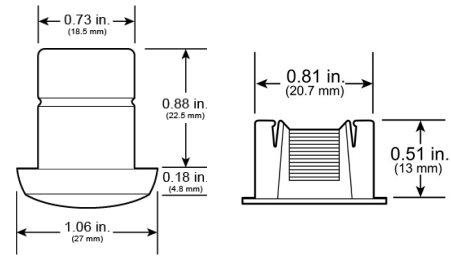
enlighted

MICRO SENSOR - Daylight / Motion / Occupancy

A complete sensing and lighting control node powered from its attached light fixture. An innovative carrier-based mounting design supports easy installation and replacement. With integrated wireless communications for data transmission and remote configuration as well as autonomous fixture-level control, this sensor brings advanced lighting automation to a whole new level.

FEATURES

- | | |
|----------------------------------|---|
| Enlighted Sensor Interface (ESI) | Room and Zone Control |
| Localized Lighting Control | IoT Sensing Node |
| Edge Sensing | Standards-Based Networking and Security |
| Bluetooth Low Energy | Data Privacy |
| Occupancy and Thermal Sensing | Driver Compatibility |
| Tunable White | |
| Daylight Harvesting | |



SENSOR COVERAGE PATTERNS

Incorporates an optical Fresnel lens that works with the digital Passive Infrared (PIR) sensor to detect occupancy and motion. The multifaceted lens focuses light onto the PIR to produce an all-encompassing field of view through aggregation of many narrow fields of view.

SMART CONTROLS*

The Vega™, seamlessly integrates with a range of advanced sensor solutions from industry leaders such as Lutron, Enlighted, and Avi-on. With the integration of smart sensors, you can achieve greater energy savings compared to traditional systems but also unlock additional functional features. These sensors enable the luminaire to adapt to the needs and behaviors of occupants, resulting in a smart building solution.



Illuminate your commercial space flawlessly with Lutron, where we understand that every environment has unique lighting requirements. Whether it's hospitality or office settings, we tailor lighting, shades, and control solutions to match your project's exact needs.



Discover the power of Enlighted's IoT solution, featuring a patented smart sensor. This cutting-edge technology measures ambient light, motion (PIR), energy consumption, and temperature, all while offering Bluetooth® capabilities and wireless connectivity.



Experience unparalleled ease and innovation with Avi-on®'s leading IoT platform for wireless lighting controls. Our patented no gateway architecture and industry-leading commissioning and scalability management tools ensure easy installation, seamless usability, and cost-effectiveness—even for multi-thousand device systems.

*Not all compatible smart controls may be listed. Please contact sale representative.