

SPEC-SELECT™ CYLINDER WALL MOUNT - WMC1

INSTALLATION INSTRUCTIONS

PLEASE USE A QUALIFIED ELECTRICIAN FOR INSTALLATION. Read the instructions before installing or use of the luminaire.

CAUTIONS & SAFETY INSTRUCTIONS

- This fixture should be installed or maintained in accordance with the National Electrical Code (NEC) and applicable local codes and ordinances by a professional who is familiar with the construction and operation of the product and hazards involved.
- Proper grounding is required to insure personal safety. Carefully observe the correct grounding procedure under the installation section.
- Turn off electrical power at fuse or circuit breaker box before wiring fixture to the power supply or performing any maintenance.
- Verify that supply voltage is correct by comparing it with the luminaire label information.
- Suitable for wet locations.
- Ambient operating temperature: -4°F to 122°F.

CLEANING & MAINTENANCE

- Disconnect power before servicing fixture.
- Allow fixture to cool before handling.
- Do not open fixture to clean or touch LED chips.
- Use non-abrasive glass cleaning solution to clean lens and housing.

TROUBLESHOOTING

If the fixture does not operate properly:

- Verify that it is wired and grounded correctly.
- Confirm that the line voltage is correct.
- If the issue persists, contact the manufacturer.

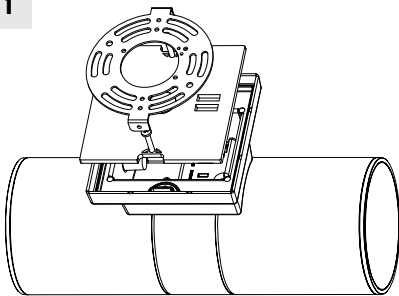
INSTALLATION



WARNING DISCONNECT POWER BEFORE INSTALLING OR SERVICING.

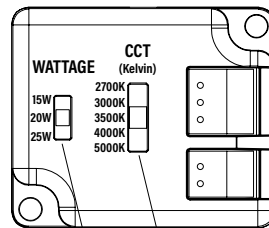
Turn off power before connecting wires.

1



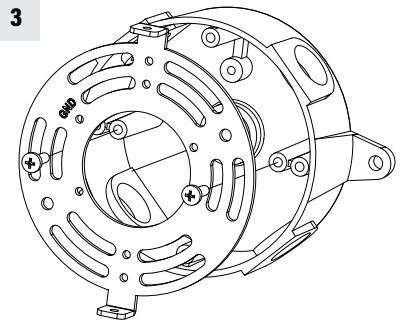
Remove the two screws on each side of the round mounting plate, and then remove the back cover of the fixture.

2



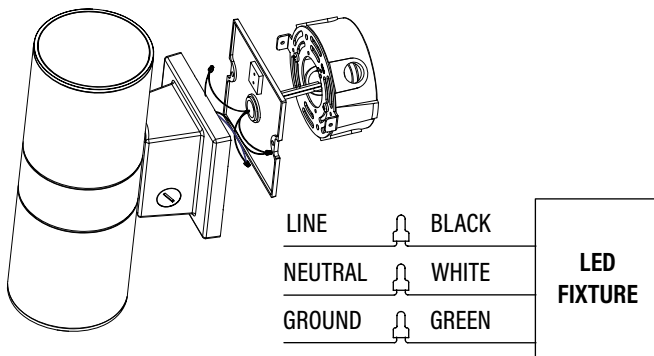
Adjust the Wattage and CCT (Color) by using the slide switches.

3

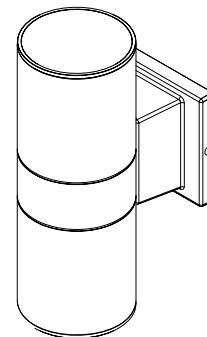


Attach the round mounting plate to the junction box. Apply silicone sealant (not provided) to any mounting holes to prevent water entry.

4 Follow the general wiring diagram.



5



Reattach the fixture's back cover to the fixture, and then fasten to the mounting plate. Installation completed.